

**KitchenAid®**

---

# BOTTOM-MOUNT BUILT-IN REFRIGERATOR

Installation Guide

**IMPORTANT:** READ AND SAVE THESE INSTRUCTIONS. INSTALLATION REQUIRES 2 OR MORE PEOPLE.

---

# REFRIGERADOR EMPOTRADO CON CONGELADOR EN LA PARTE INFERIOR

Guía de instalación

**IMPORTANTE:** LEA Y GUARDE ESTAS INSTRUCCIONES. LA INSTALACIÓN REQUIERE DE 2 O MÁS PERSONAS.

---

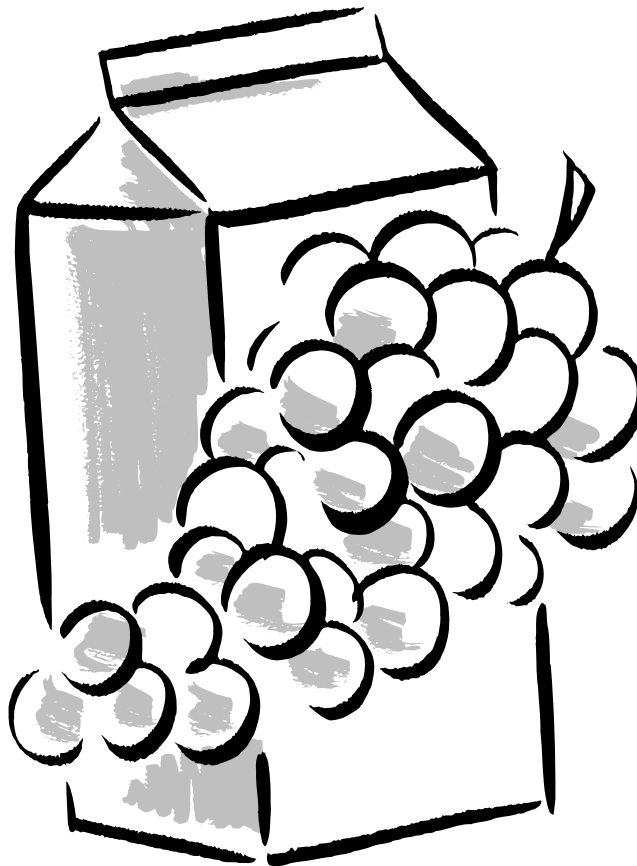
# RÉFRIGÉRATEUR ENCASTRÉ AVEC CONGÉLATEUR EN DESSOUS

Guide d'installation

**IMPORTANT :** LIRE ET CONSERVER CES INSTRUCTIONS. L'INSTALLATION NÉCESSITE L'INTERVENTION DE 2 PERSONNES OU PLUS.

---

Table of Contents/Índice/Table des matières .....2



# TABLE OF CONTENTS

<b>REFRIGERATOR SAFETY</b> .....	<b>3</b>	Classic Series Custom Panels (36" [91.4 cm] Models).....	16
<b>MODELS</b> .....	<b>4</b>	Classic and Architect® Series Custom Side Panels .....	17
<b>INSTALLATION REQUIREMENTS</b> .....	<b>5</b>	Overlay Series Custom Side Panels.....	18
Tools and Parts.....	5	<b>INSTALLATION INSTRUCTIONS</b> .....	<b>20</b>
Location Requirements.....	5	Unpack the Refrigerator .....	20
Electrical Requirements.....	6	Reduce Tipping Radius .....	20
Water Supply Requirements.....	7	Move the Refrigerator into House .....	20
Tipping Radius.....	7	Install Anti-Tip Boards .....	21
Product Dimensions .....	8	Connect the Water Supply .....	21
Door Swing Dimensions .....	9	Plug in Refrigerator .....	23
Overlay Series Door Panel and Cabinetry Clearance (36" [91.4 cm] Models).....	10	Move Refrigerator to Final Location.....	23
Overlay Series Door Panel & Cabinetry Clearance (42" [106.7 cm] Models).....	12	Level and Align Refrigerator .....	23
Overlay Series Custom Panels .....	14	Install Overlay and Classic Series Custom Panels .....	24
Custom Overlay Panel Dimensions .....	14	Adjust Door(s) .....	25
Classic, Architect®, and Overlay Series Factory Panels and Kits (36" [91.4 cm] Models).....	16	Install Side Panel .....	27
		Install Base Grille .....	28
		Complete Installation .....	28

# ÍNDICE

<b>SEGURIDAD DEL REFRIGERADOR</b> .....	<b>29</b>	Paneles a la medida para la Serie Classic (modelos de 36" [91,4 cm]).....	42
<b>MODELOS</b> .....	<b>30</b>	Paneles laterales a la medida para las Series Classic y Architect® .....	43
<b>REQUISITOS DE INSTALACIÓN</b> .....	<b>31</b>	Paneles laterales a la medida para la Serie Overlay .....	44
Piezas y herramientas.....	31	<b>INSTRUCCIONES DE INSTALACIÓN</b> .....	<b>46</b>
Requisitos de ubicación .....	31	Desempaque el refrigerador.....	46
Requisitos eléctricos.....	32	Cómo reducir el arco de vuelco .....	46
Requisitos del suministro de agua .....	33	Cómo hacer entrar el refrigerador en la casa .....	46
Arco de vuelco .....	33	Cómo instalar los tableros antivuelco .....	47
Medidas del producto.....	34	Conexión del suministro de agua.....	47
Medidas de oscilación de la puerta.....	35	Cómo enchufar el refrigerador .....	49
Espacio para el panel de la puerta de la serie Overlay y para los gabinetes (modelos de 36" [91,4 cm]).....	36	Cómo mover el refrigerador a su ubicación final .....	49
Espacio para el panel de la puerta de la serie Overlay y para los gabinetes (modelos de 42" [106,7 cm]).....	38	Nivelación y alineamiento del refrigerador .....	49
Paneles a la medida de la Serie Overlay .....	40	Cómo instalar los paneles a la medida para las Series Overlay y Classic.....	50
Dimensiones del panel recubierto a la medida .....	40	Cómo ajustar la(s) puerta(s).....	52
Paneles y juegos de fábrica para las Series Classic, Architect® y Overlay (modelos de 36" [91,4 cm]) .....	42	Cómo instalar el panel lateral .....	53
		Cómo instalar la rejilla de la base.....	54
		Cómo terminar la instalación.....	54

# TABLE DES MATIÈRES

<b>SÉCURITÉ DU RÉFRIGÉRATEUR</b> .....	<b>55</b>	Panneaux personnalisés de la série Classic (modèles de 36" [91,4 cm]).....	68
<b>MODÈLES</b> .....	<b>56</b>	Panneaux latéraux personnalisés des séries Classic et Architect® .....	69
<b>EXIGENCES D'INSTALLATION</b> .....	<b>57</b>	Panneaux latéraux personnalisés de la série Overlay.....	70
Outils et pièces .....	57	<b>INSTRUCTIONS D'INSTALLATION</b> .....	<b>72</b>
Exigences d'emplacement .....	57	Déballage du réfrigérateur .....	72
Spécifications électriques .....	58	Réduction du rayon de basculement .....	72
Spécifications de l'alimentation en eau.....	59	Faire entrer le réfrigérateur dans le domicile.....	72
Rayon de basculement.....	59	Installation de planches antibasculement .....	73
Dimensions du produit.....	60	Raccordement à l'alimentation en eau.....	73
Dimensions pour le pivotement des portes .....	61	Brancher le réfrigérateur .....	75
Série Overlay - Panneau de porte et placard - dimensions et espace libre (modèles de 36" [91,4 cm]) .....	62	Déplacement du réfrigérateur à l'emplacement final .....	75
Série Overlay - Panneau de porte et placard - dimensions et espace libre (modèles de 42" [106,7 cm]) .....	64	Réglage de l'aplomb et alignement du réfrigérateur.....	75
Panneaux personnalisés de la série Overlay.....	66	Installation des panneaux personnalisés des séries Overlay et Classic .....	76
Panneaux personnalisés - Dimensions .....	66	Ajustement de la (des) porte(s).....	78
Ensembles de panneaux d'origine de la série Classic, Architect® et Overlay (modèles de 36" [91,4 cm]) .....	68	Installation du panneau latéral.....	79
		Installation de la grille de la base .....	80
		Achever l'installation.....	80

# REFRIGERATOR SAFETY

## Your safety and the safety of others are very important.

We have provided many important safety messages in this manual and on your appliance. Always read and obey all safety messages.



This is the safety alert symbol.

This symbol alerts you to potential hazards that can kill or hurt you and others.

All safety messages will follow the safety alert symbol and either the word "DANGER" or "WARNING."

These words mean:

**⚠ DANGER**

You can be killed or seriously injured if you don't immediately follow instructions.

**⚠ WARNING**

You can be killed or seriously injured if you don't follow instructions.

All safety messages will tell you what the potential hazard is, tell you how to reduce the chance of injury, and tell you what can happen if the instructions are not followed.

**⚠ WARNING**



### Tip Over Hazard

Refrigerator is top heavy and tips easily when not completely installed.

Keep doors taped closed until refrigerator is completely installed.

Use two or more people to move and install refrigerator.

Failure to do so can result in death or serious injury.

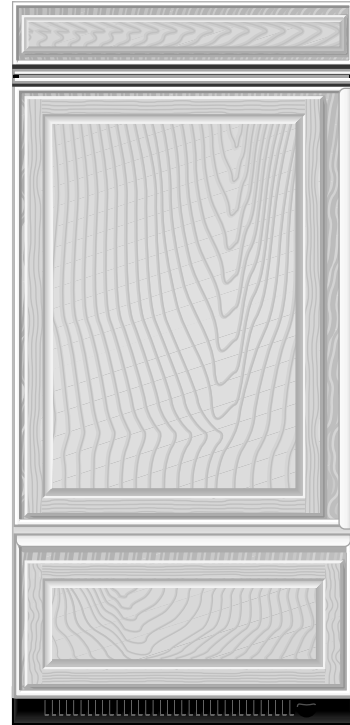
# MODELS



## Architect® Series (36" [91.4 cm] Models)

Features wraparound styling that complements the contoured door handles. This series provides a warm commercial-looking built-in refrigerator.

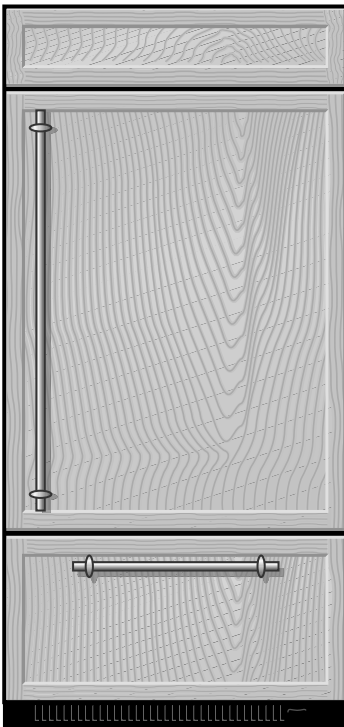
KBRC36FTS      KBLC36FTS



## Classic Series (36" [91.4 cm] Models)

Features traditional style trim, factory-installed, to provide a "framed" look. This series requires the installation of custom panels that are not included.

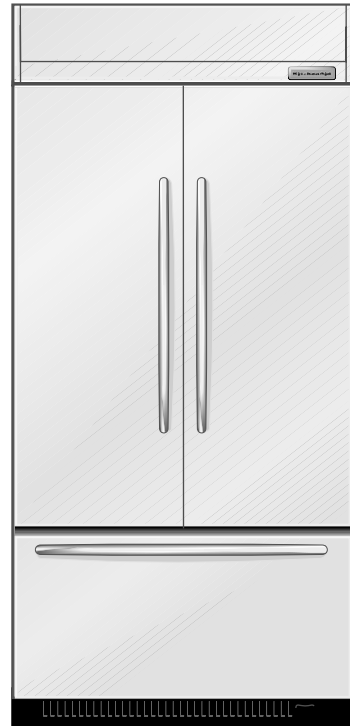
KBRS36FTB      KBRS36FTX      KBLS36FTB  
KBLS36FTX



## Overlay Series (36" [91.4 cm] Models)

Features factory-installed, overlay style trim, to provide a "frameless" look. This series requires the installation of custom panels, handles, and standoffs.

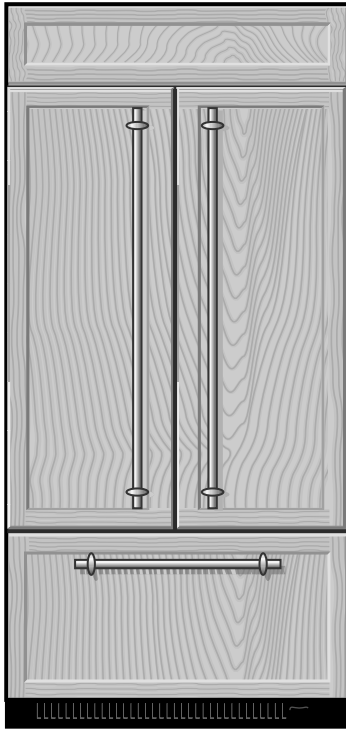
KBRO36FTX      KBLO36FTX



## Architect® Series (42" [106.7 cm] Models)

Features wraparound styling that complements the contoured door handles. This series provides a warm commercial-looking built-in refrigerator.

KBFC42FTS



### Overlay Series (42" [106.7 cm] Models)

Features factory-installed, overlay style trim, to provide a "frameless" look. This series requires the installation of custom panels, handles, and standoffs.

KBFO42FTX

## INSTALLATION REQUIREMENTS

### Tools and Parts

#### IMPORTANT:

- Installer: Leave Installation Instructions with the homeowner.
- Homeowner: Keep Installation Instructions for future reference. Save these Installation Instructions for the local electrical inspector's use.

#### TOOLS NEEDED:

Gather the required tools and parts before starting installation. Read and follow the instructions provided with any tools listed here.

- |                           |   |
|---------------------------|---|
| ■ Cordless drill          | ■ Torx®† T15 and T27 screwdrivers   |
| ■ Drill bits              | ■ 1 <sup>1</sup> / <sub>32</sub> " Nut driver   |
| ■ Two adjustable wrenches | ■ 3 <sup>8</sup> / <sub>8</sub> ", 1 <sup>4</sup> / <sub>4</sub> ", and 1 <sup>2</sup> / <sub>2</sub> " Open-end wrenches |
| ■ Phillips screwdriver    | ■ 5 <sup>32</sup> / <sub>32</sub> " Hex key   |
| ■ Small level             | ■ 1 <sup>4</sup> / <sub>4</sub> " and 5 <sup>16</sup> / <sub>16</sub> " Socket drivers                                    |
| ■ Appliance dolly         | ■ Tape measure  |
|                           | ■ Utility knife   |

#### PARTS NEEDED:

- Six #8 x 3" (7.6 cm) wood screws (longer screws may be needed)
- One or two 2" x 4" x 32" (5 cm x 10 cm x 81 cm) wood board(s)
- Order factory panels, make custom panels or consult a qualified cabinetmaker or carpenter to make the panels.

Classic Series: Order factory panels, make custom panels, or consult a qualified cabinetmaker or carpenter to make the panels. See "Installation Requirements" for more information.

Overlay Series: Make custom panels, or consult a qualified cabinetmaker or carpenter to make the panels. See "Installation Requirements" for more information.

Architect® Series is shipped complete.

- If you are connecting the water line directly to copper tubing and not to a shutoff valve, you need a ferrule, a union, and a 1<sup>4</sup>/<sub>4</sub>" compression fitting.

### Location Requirements

The refrigerator can be recessed in an opening between cabinets or installed at the end of a cabinet run using a side panel to enclose the refrigerator.

## ⚠ WARNING



### Explosion Hazard

Keep flammable materials and vapors, such as gasoline, away from refrigerator.

Failure to do so can result in death, explosion, or fire.

#### IMPORTANT:

- Observe all governing codes and ordinances.
- It is recommended that you do not install the refrigerator near an oven, radiator, or other heat source.
- Do not install in a location where the temperature will fall below 55°F (13°C).
- Floor must support the refrigerator weight, more than 600 lbs (272 kg), door panels and contents of the refrigerator.
- Ceiling height must allow for side tipping radius. See "Tipping Radius."
- Location should permit door to open fully. See "Door Swing Dimensions."
- Location must permit top grille removal. See "Opening Dimensions."

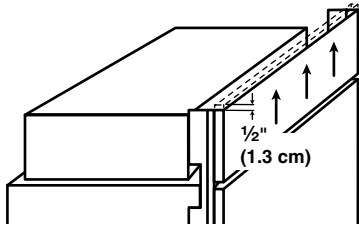
### Opening Dimensions

- To avoid tipping during use, the solid soffit must be within 1" (2.5 cm) maximum above the refrigerator. If the solid soffit is higher than 1" (2.5 cm) or one is not available, then the refrigerator must be braced.

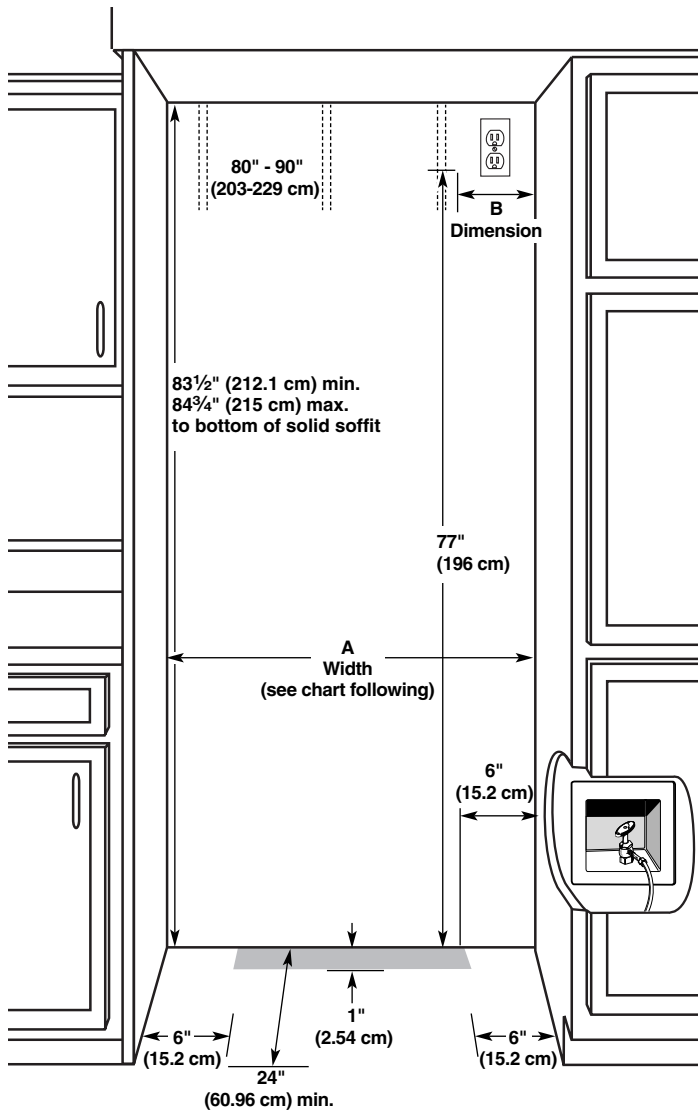
If the anti-tip boards are needed, they must be attached to the rear wall studs 80" to 90" (203 to 229 cm) above the floor. See "Install Anti-Tip Boards" for more information.

†®TORX is a registered trademark of Saturn Fasteners, Inc.

**NOTE:** A clearance of ½" (1.3 cm) must be maintained in front of the refrigerator's side trim in order for the top grille to be removed.



- A grounded 3 prong electrical outlet should be placed within 4" (10.2 cm) of the right side cabinets or end panel. See "Electrical Requirements" for additional information.
- The water shutoff should be located in the base cabinet on either side of the refrigerator or some other easily accessible area. If the water shutoff valve is not in the cabinets, the plumbing for the water line can come through the floor or the back wall. See "Water Supply Requirements" for more specific information.



Model	Width A (as shown above)	Dimension B (as shown above)
36	35½" (90.2 cm)	4" (10.2 cm)
42	41½" (105.4 cm)	10" (25.4 cm)

**NOTE:** Flooring under refrigerator must be at same level as the room.

## Electrical Requirements

### ⚠ WARNING



#### Electrical Shock Hazard

Plug into a grounded 3 prong outlet.

Do not remove ground prong.

Do not use an adapter.

Do not use an extension cord.

Failure to follow these instructions can result in death, fire, or electrical shock.

Before you move your refrigerator into its final location, it is important to make sure you have the proper electrical connection.

#### Recommended Grounding Method

A 115 volt, 60 Hz., AC only, 15- or 20-amp fused, grounded electrical supply is required. It is recommended that a separate circuit serving only your refrigerator be provided. Use an outlet that cannot be turned off by a switch. Do not use an extension cord.

**IMPORTANT:** If this product is connected to a GFCI (Ground Fault Circuit Interrupter) protected outlet, nuisance tripping of the power supply may occur, resulting in loss of cooling. Food quality and flavor may be affected. If nuisance tripping has occurred, and if the condition of the food appears poor, dispose of it.

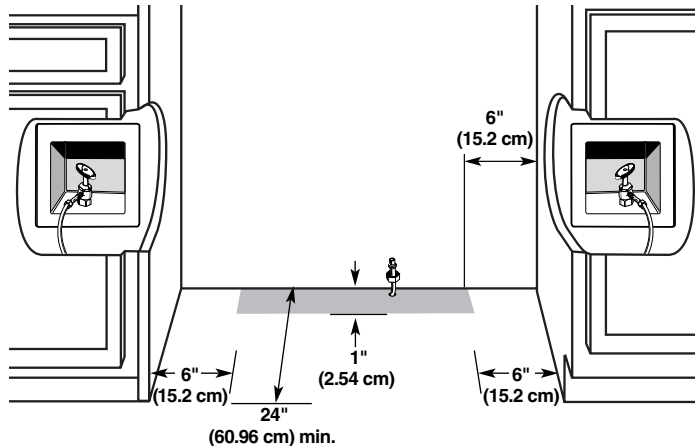
**NOTE:** Before performing any type of installation, cleaning, or removing a light bulb, remove the top grille and turn the master power switch to OFF or disconnect power at the circuit breaker box.

When you are finished, turn ON the master power switch or reconnect power at the circuit breaker box. Then reset the control to the desired setting.

## Water Supply Requirements

- All installations must meet local plumbing code requirements.
- The water shutoff should be located in the base cabinet on either side of the refrigerator or some other easily accessible area. The right-hand side is recommended. The access hole through the cabinet must be within ½" (12.7 mm) of the rear wall.

**NOTE:** If the water shutoff valve is in the back wall behind the refrigerator, it must be at an angle so that the tube is not kinked when the refrigerator is pushed into its final location.



- If the water shutoff valve is not in the cabinets, the plumbing for the water line can come through the floor. A ½" (12.7 mm) hole for plumbing should be drilled at least 6" (15.2 cm) from the right or left hand side cabinet or panel. On the floor, the hole should be no more than 1" (2.54 cm) away from the back wall. See "Connect the Water Supply."
- If additional tubing is needed, use copper tubing and check for leaks. Install the copper tubing only in areas where the household temperatures will remain above freezing.
- Do not use a piercing-type or ⅜" (4.76 mm) saddle valve which reduces water flow and clogs more easily.

**NOTE:** Your refrigerator dealer has a kit available with a ¼" (6.35 mm) saddle-type shutoff valve, a union, and copper tubing. Before purchasing, make sure a saddle-type valve complies with your local plumbing codes.

## Water Pressure

A cold water supply with water pressure between 30 and 120 psi (207 and 827 kPa) is required to operate the water dispenser and ice maker. If you have questions about your water pressure, call a licensed, qualified plumber.

### Reverse Osmosis Water Supply

**IMPORTANT:** The pressure of the water supply coming out of a reverse osmosis system going to the water inlet valve of the refrigerator needs to be between 30 and 120 psi (207 and 827 kPa).

If a reverse osmosis water filtration system is connected to your cold water supply, the water pressure to the reverse osmosis system needs to be a minimum of 40 to 60 psi (276 to 414 kPa).

If the water pressure to the reverse osmosis system is less than 40 to 60 psi (276 to 414 kPa):

- Check to see whether the sediment filter in the reverse osmosis system is blocked. Replace the filter if necessary.
- Allow the storage tank on the reverse osmosis system to refill after heavy usage.
- If your refrigerator has a water filter cartridge, it may further reduce the water pressure when used in conjunction with a reverse osmosis system. Remove the water filter cartridge.

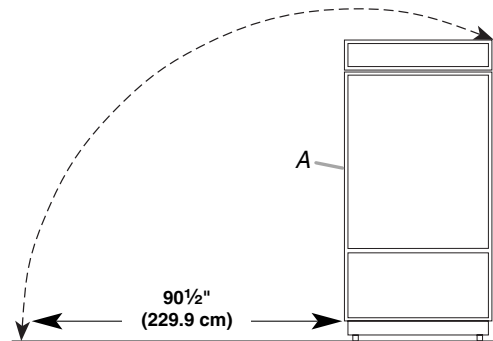
If you have questions about your water pressure, call a licensed, qualified plumber.

## Tipping Radius

Be sure there is adequate ceiling height to stand the refrigerator upright when it is moved into place.

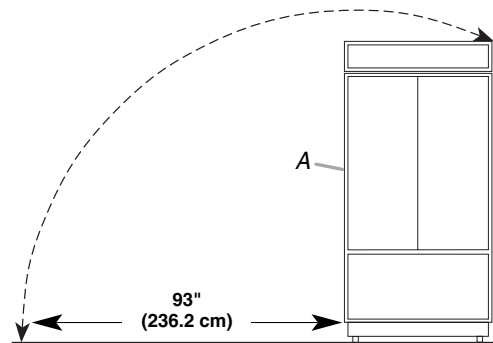
- The dolly wheel height must be added to the tipping radius when a dolly is used.
- If needed, the tipping radius can be reduced. See "Reduce Tipping Radius."

### Side Tipping Radius (36" [91.4 cm] Models)



A. Tip this side only.

### Side Tipping Radius (42" [106.7 cm] Models)

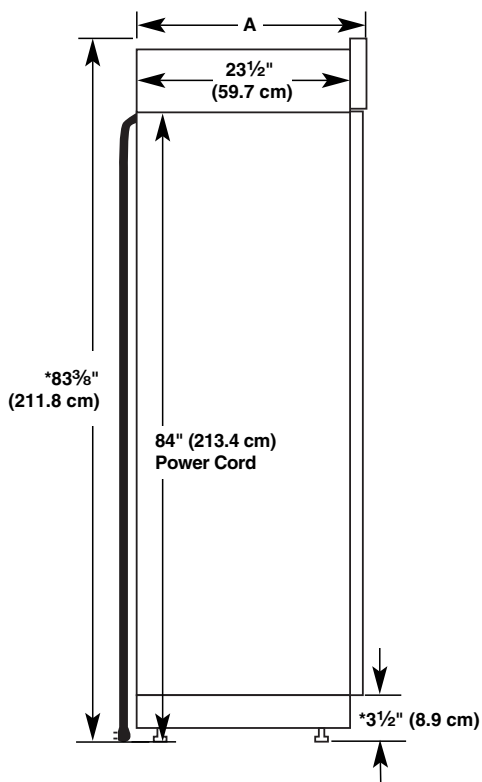


A. Tip this side only.

## Product Dimensions

### Side View

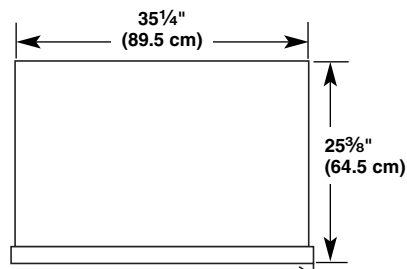
- The depth from the front of the top grille to the back of the refrigerator cabinet is 25<sup>5</sup>/<sub>8</sub>" (64.5 cm).
- The power cord is 84" (213 cm) long.
- The water line attached to the back of the refrigerator is 5 ft (1.5 m) long. Height dimensions are shown with leveling legs extended 1<sup>1</sup>/<sub>8</sub>" (3 mm) below the rollers.



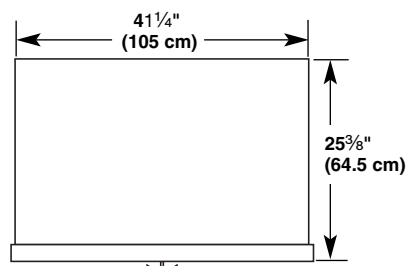
\*When leveling legs are fully extended to 1<sup>1</sup>/<sub>4</sub>" (3.2 cm) below rollers, add 1<sup>1</sup>/<sub>8</sub>" (2.9 cm) to the height dimensions.

### Top View

#### 36" (91.4 cm) Models



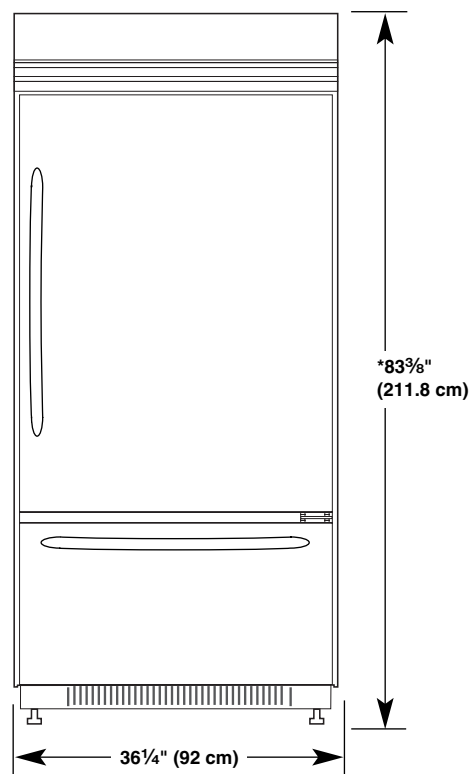
#### 42" (106.7 cm) Models



### Front View

- Width dimensions were measured from trim edge to trim edge.
- Height dimensions are shown with leveling legs extended 1<sup>1</sup>/<sub>8</sub>" (3 mm) below the rollers.

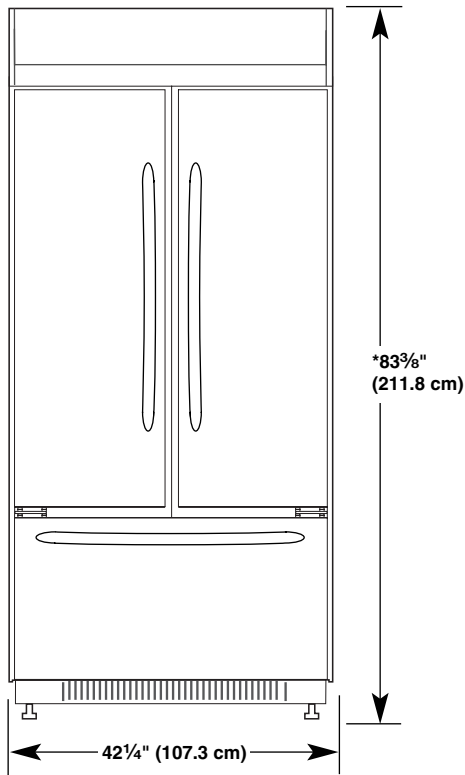
#### 36" (91.4 cm) Models



\*When leveling legs are fully extended to 1<sup>1</sup>/<sub>4</sub>" (3.2 cm) below rollers, add 1<sup>1</sup>/<sub>8</sub>" (2.9 cm) to the height dimensions.



## 42" (106.7 cm) Models



\*When leveling legs are fully extended to  $1\frac{1}{4}"$  (3.2 cm) below rollers, add  $1\frac{1}{8}"$  (2.9 cm) to the height dimensions.

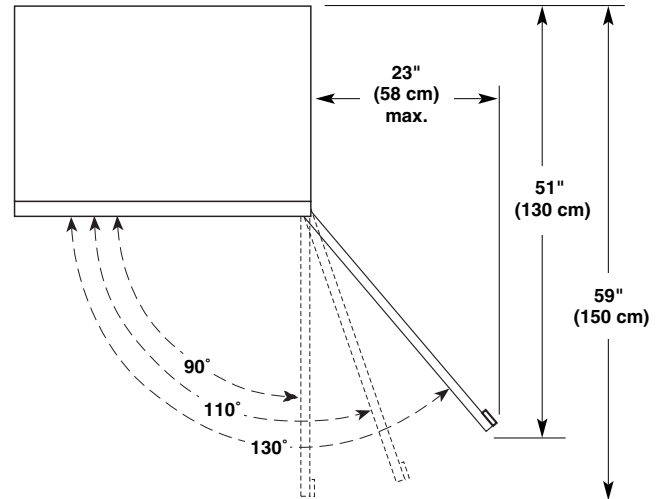
## Door Swing Dimensions

The location must permit the door to open to a minimum of  $90^\circ$ . Allow  $4\frac{1}{2}"$  (11.4 cm) minimum space between the side of the refrigerator and a corner wall.

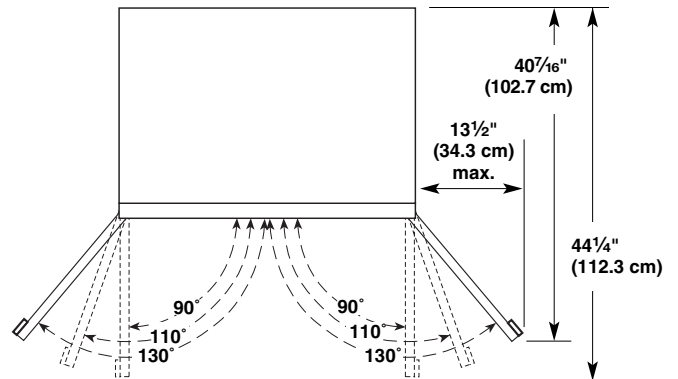
**NOTE:** More clearance may be required if you are using overlay panels or custom handles.

To adjust the door swing, see "Adjust Door Swing."

## 36" (91.4 cm) Models

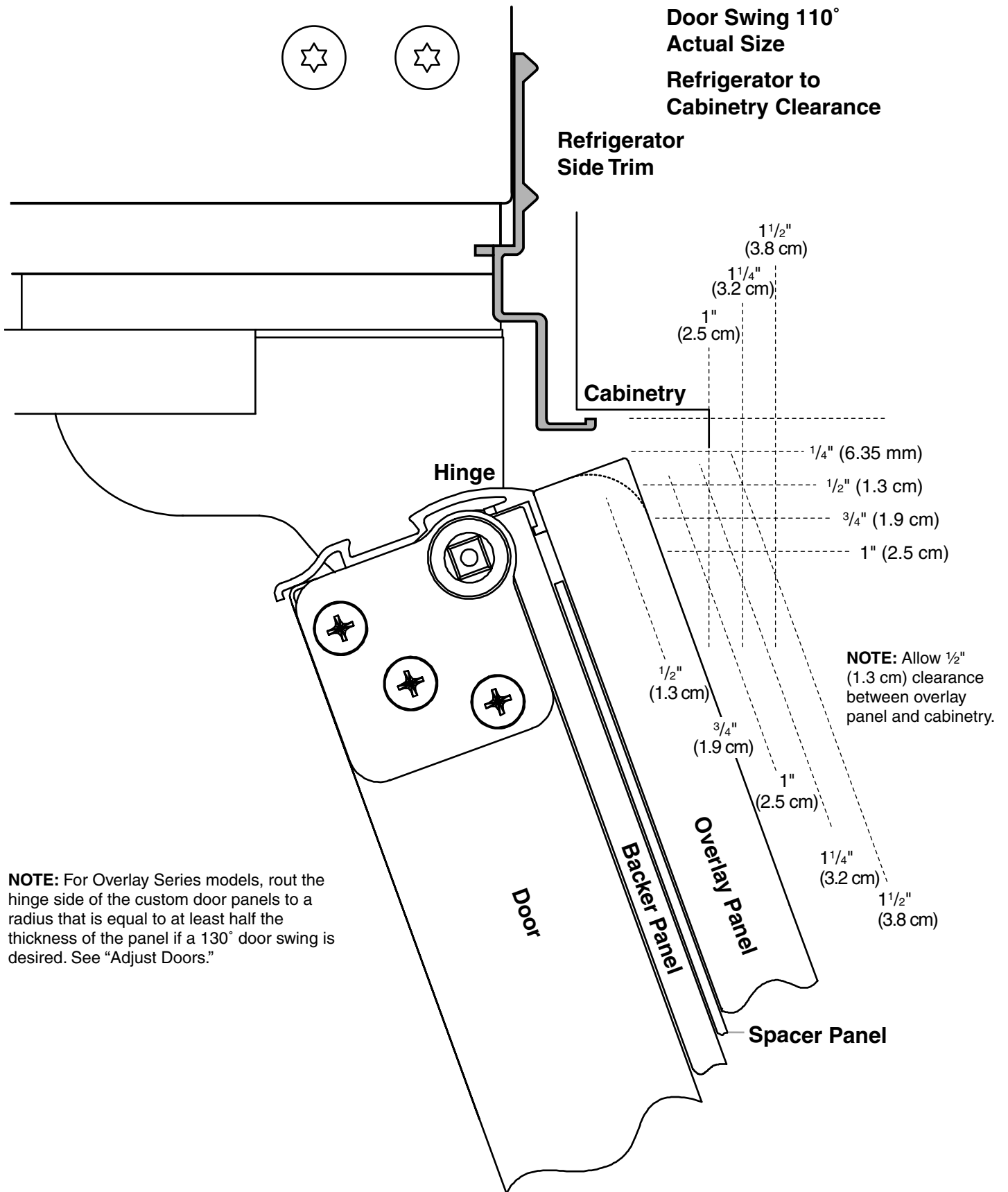


## 42" (106.7 cm) Models



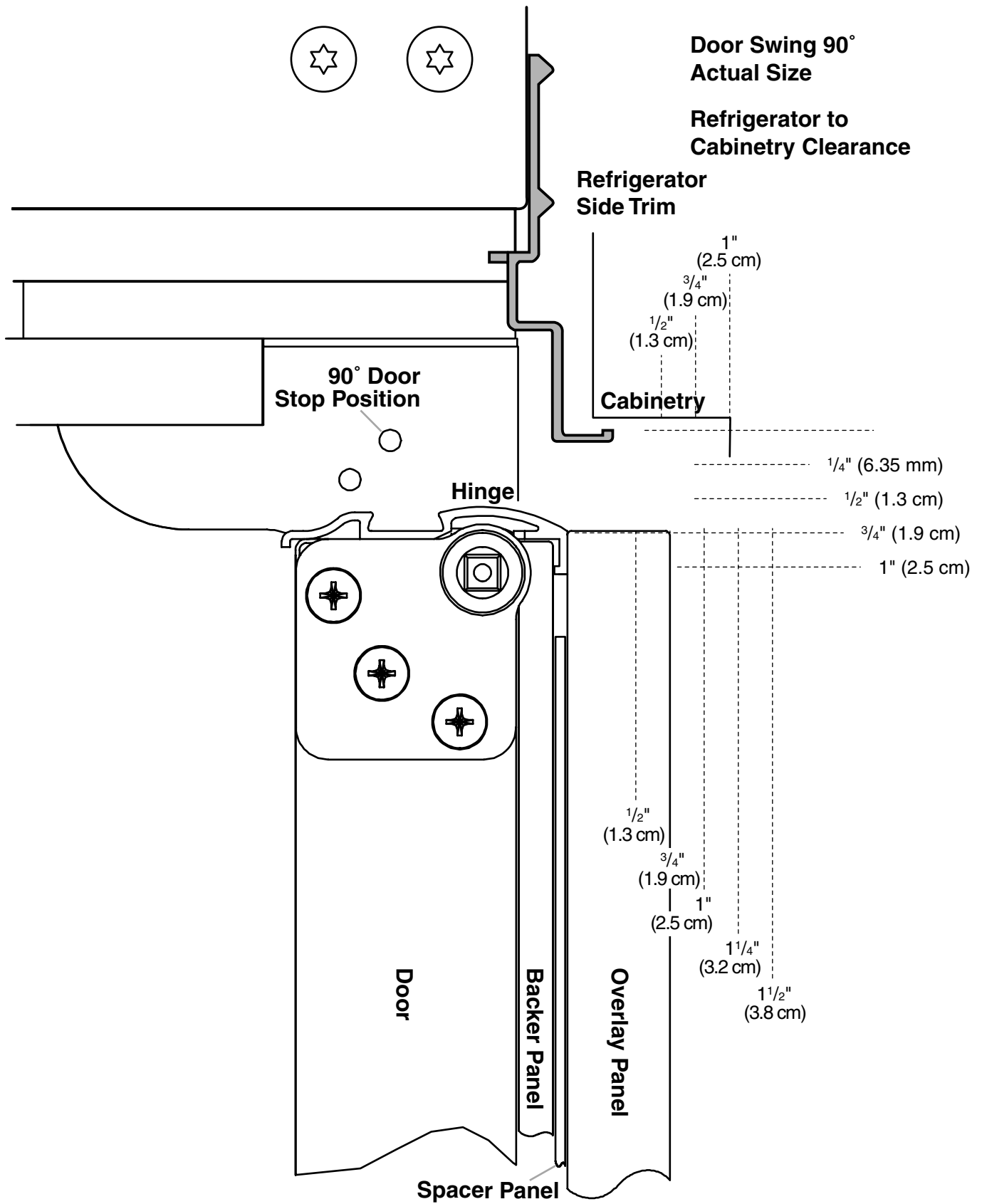
## Overlay Series Door Panel and Cabinetry Clearance (36" [91.4 cm] Models)

The custom door panels and adjacent cabinetry must be designed so that there is sufficient clearance for the doors to swing open. If the refrigerator is to be installed close to the wall, see "Door Swing 90°" on next page.



**NOTE:** For Overlay Series models, rout the hinge side of the custom door panels to a radius that is equal to at least half the thickness of the panel if a 130° door swing is desired. See "Adjust Doors."

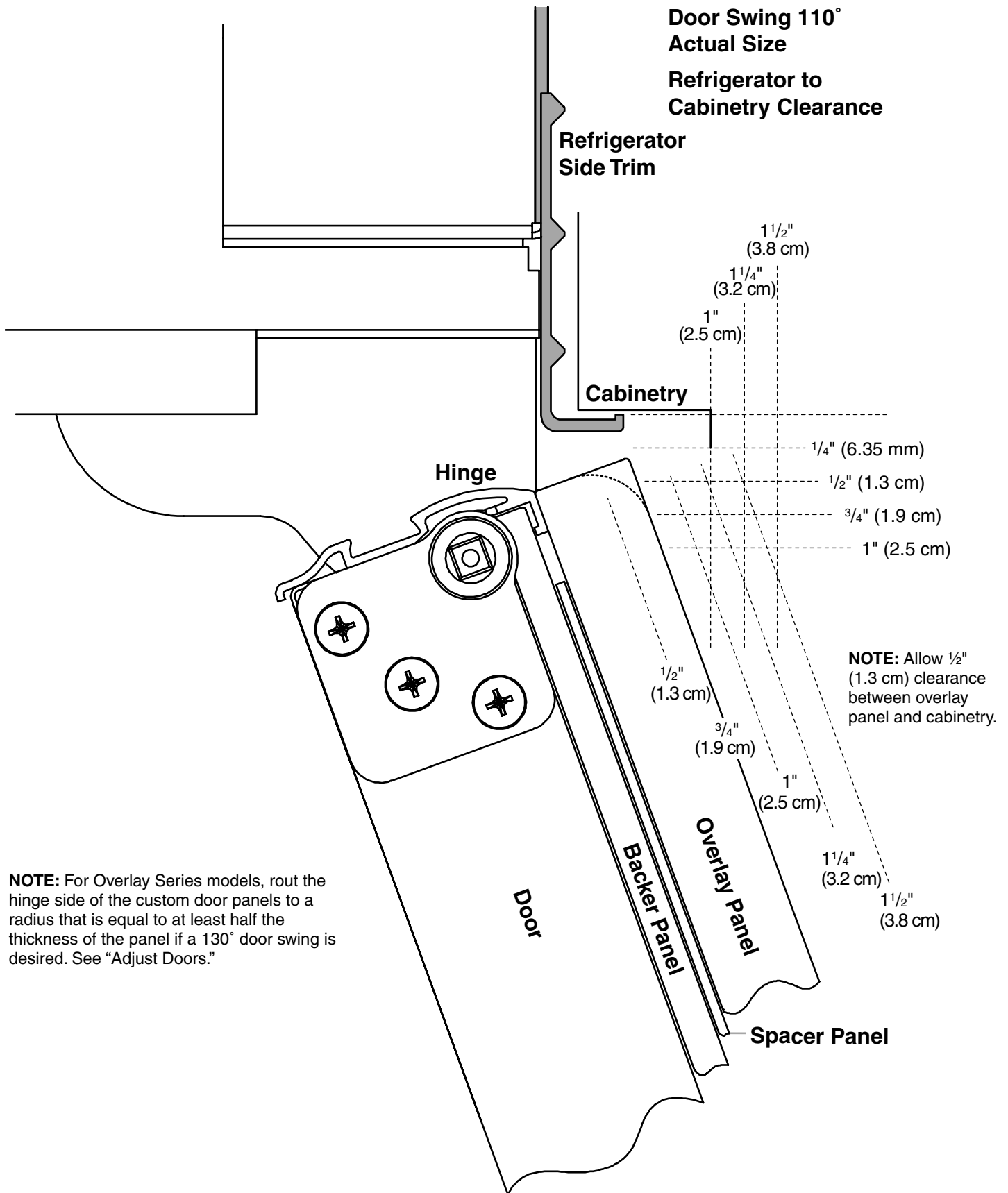
When the doors are closed the refrigerator will extend beyond the face of the adjacent cabinetry to some degree.



Allow a minimum of 4 1/2" (11.4 cm) of space between the side of the refrigerator and a corner wall. More clearance may be needed if thicker custom panels or custom handles are used. Do not overlook baseboards.

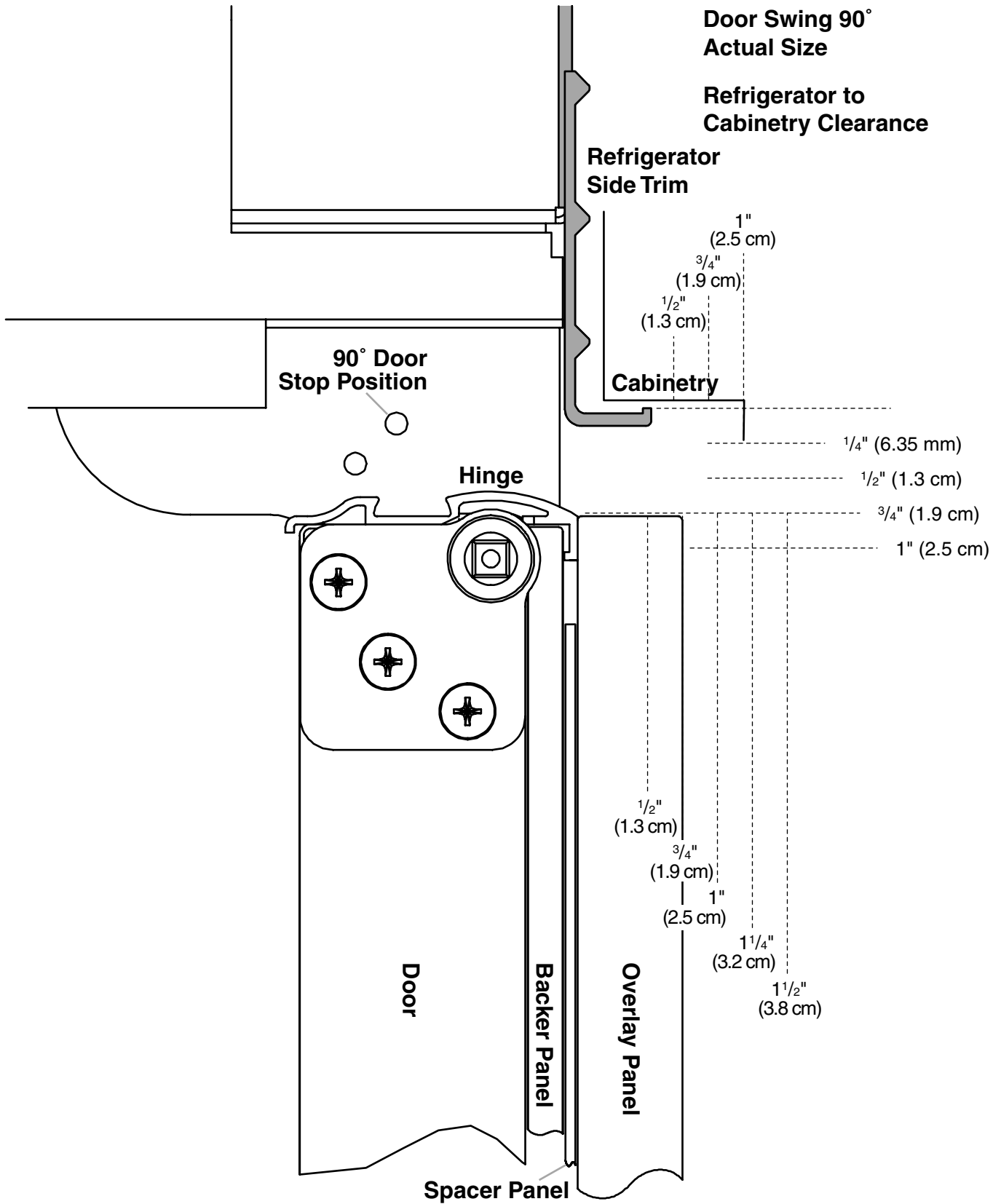
## Overlay Series Door Panel and Cabinetry Clearance (42" [106.7 cm] Models)

The custom door panels and adjacent cabinetry must be designed so that there is sufficient clearance for the doors to swing open. If the refrigerator is to be installed close to the wall, see "Door Swing 90°" on next page.



**NOTE:** For Overlay Series models, rout the hinge side of the custom door panels to a radius that is equal to at least half the thickness of the panel if a 130° door swing is desired. See "Adjust Doors."

When the doors are closed the refrigerator will extend beyond the face of the adjacent cabinetry to some degree.

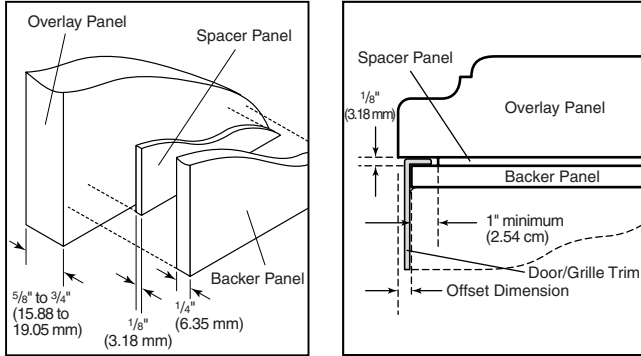


Allow a minimum of 4 1/2" (11.4 cm) of space between the side of the refrigerator and a corner wall. More clearance may be needed if thicker custom panels or custom handles are used. Do not overlook baseboards.

## Overlay Series Custom Panels

Custom overlay panels allow you to blend the exterior of your refrigerator into the overall kitchen décor and to use custom handles for additional design flexibility.

The custom panels must have backer panels attached in order to mount them to the refrigerator. It is most common to work with three panels, as shown in the following graphic: a decorative overlay panel, a 1/8" (3.18 mm) spacer panel or spacer strips and a 1/4" (6.35 mm) backer panel.



In some cases, your cabinet manufacturer may choose to work with one panel routed for the different dimensions. Follow these panel dimension and placement instructions to be sure that the custom overlay panels will fit properly.

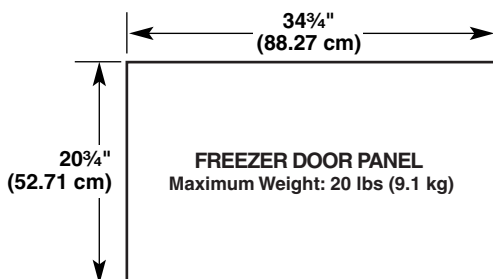
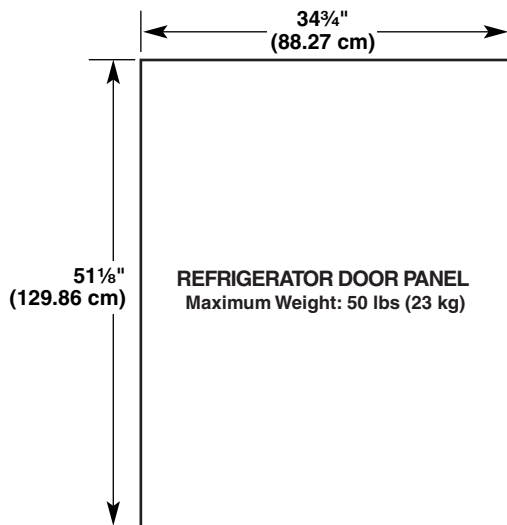
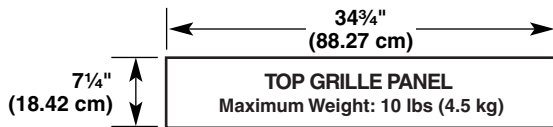
### IMPORTANT:

- For 36" (91.4 cm) models, the refrigerator door overlay panel cannot exceed 50 lbs (23 kg) and the freezer drawer overlay panel cannot exceed 20 lbs (9.1 kg).
- For 42" (106.7 cm) models, the refrigerator door overlay panel cannot exceed 30 lbs (13.5 kg) and the freezer drawer overlay panel cannot exceed 25 lbs (11.4 kg).
- The weight of the top grille overlay panel cannot exceed 10 lbs (4.5 kg) for both models.

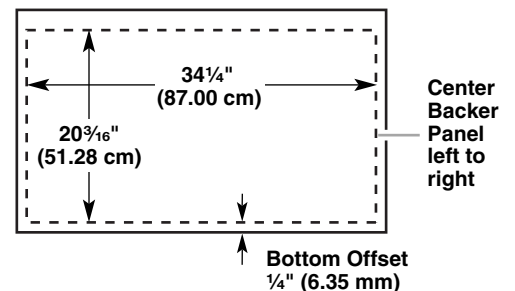
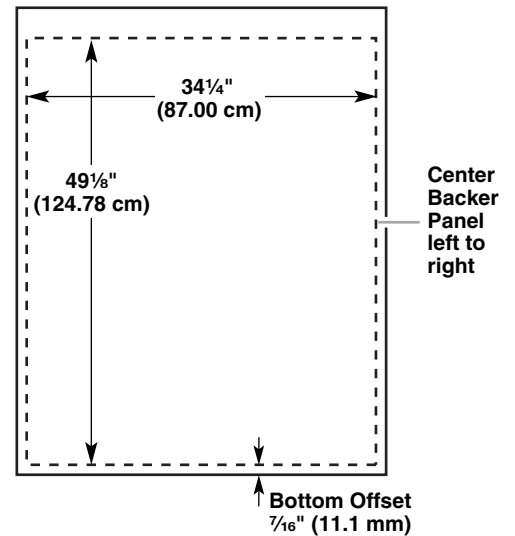
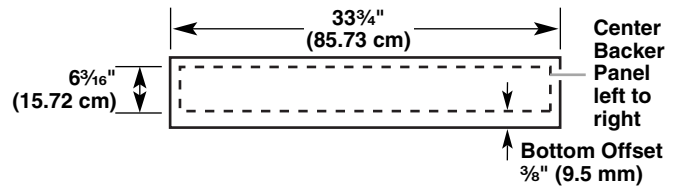
To minimize panel weight, you may use 2" (5.08 cm) spacer strips around the perimeter in place of full-sheet solid spacer panels. The spacer strips must be set in at least 1" (2.54 cm) from the top, bottom and side edges of the backer panel. If you use spacer strips, it is also recommended that you use two 2" (5.08 cm) strips horizontally centered for added support.

## Custom Overlay Panel Dimensions

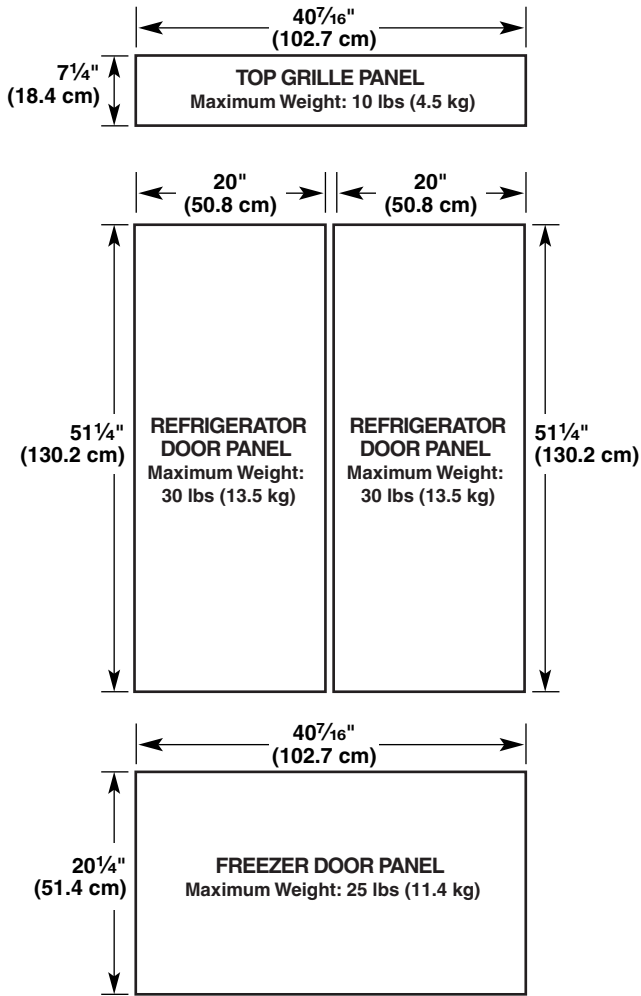
### Custom Overlay Panels (36" [91.4 cm] Models)



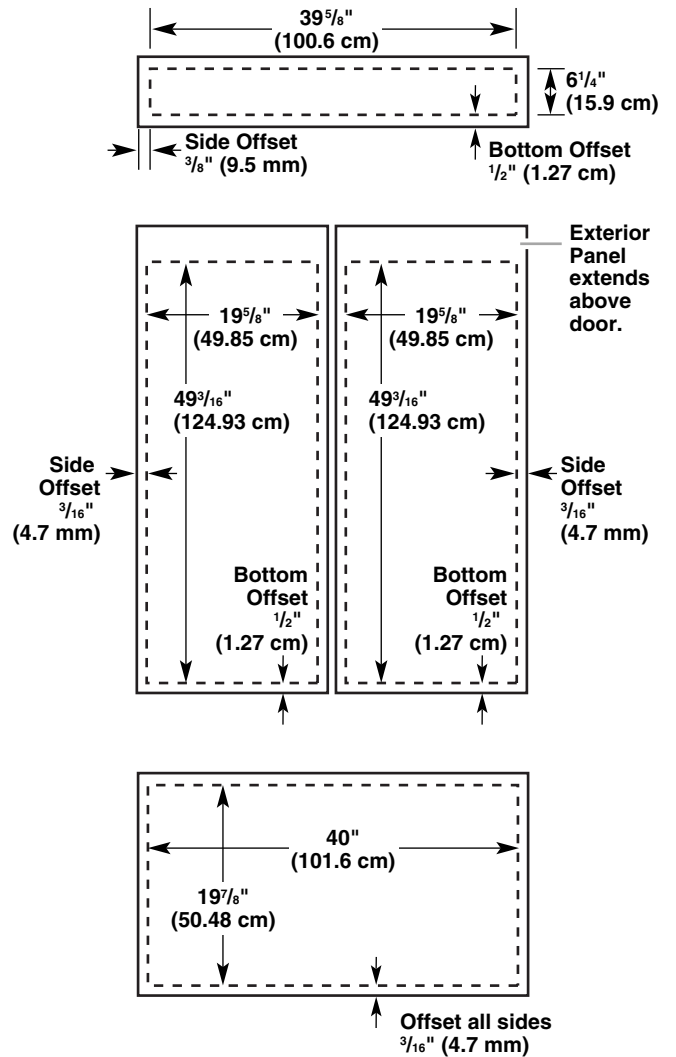
### Custom Backer Panels (36" [91.4 cm] Models)



### Custom Overlay Panels (42" [106.7 cm] Models)



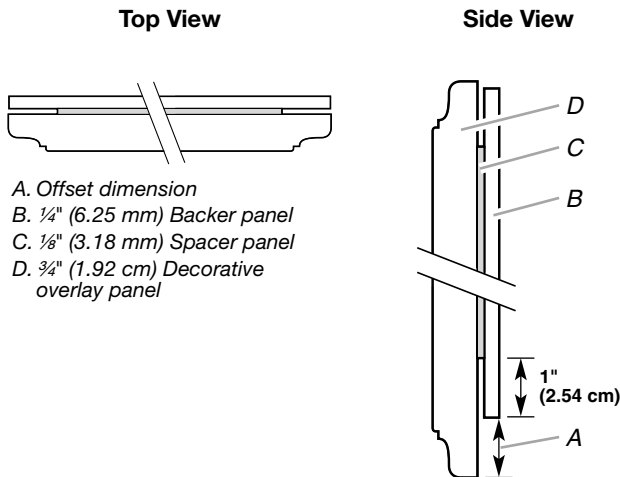
### Custom Backer Panels (42" [106.7 cm] Models)



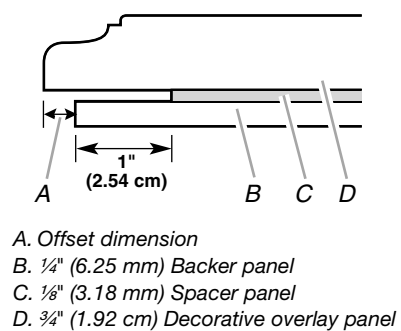
### Spacer Panels (All models)

**NOTE:** Spacer panels must be at least 1" (2.54 cm) from the top, bottom, and side edges of the backer panel.

### 3-Piece Grille Overlay Panel Configuration



### 3-Piece Door Overlay Panel Configuration



### 1-Piece Overlay Panel Configuration

In some cases, your cabinet manufacturer may choose to work with one panel routed for the different dimensions. Follow these panel dimensions and placement instructions to be sure that the custom overlay panels will fit properly.

## Classic, Architect®, and Overlay Series Factory Panels and Kits (36" [91.4 cm] Models)

All factory parts are available through your KitchenAid dealer or by calling KitchenAid Parts and Accessories at **1-800-442-9991**. In Canada, call **1-800-807-6777**.

### Architect® Series 72" (183 cm) Top Grille Panel Kit

A 72" (183 cm) wide Top Grille Panel Kit is available. This kit allows 2 units (one left-hand swing and one right-hand) to be installed side by side with a single grille.

Color	72" (183 cm)
Stainless Steel (Architect® Series)	#W10153554

### Extended Door Handle Kits

Use extended door handles when additional finger clearance is needed between the door handles and custom panel. Follow the kit instructions for installing the door handles.

Color	Left-Hand Swing	Right-Hand Swing
White (Classic Series)	#4396119	#8171424
Black (Classic Series)	#4396116	#8171427
Stainless Steel (Classic Series)	#4396118	#8171425
Matte Aluminum Etched (Classic Series)	#4396120	#8171423
Matte Aluminum (Overlay Series)	#4396718	

## Classic Series Custom Panels (36" [91.4 cm] Models)

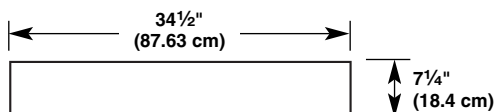
If you plan to install custom wood panels, you will need to create the panels yourself or consult a qualified cabinetmaker or carpenter. See dimension drawings for panel specifications.

**IMPORTANT:** Panels weighing more than recommended may cause damage to your refrigerator.

**NOTE:** Dimensions shown have a  $(\pm)1/16"$  (1.5 mm) tolerance. Panels that are more than  $1/4"$  (6.35 mm) thick must be routed. If panels are less than  $1/4"$  (6.35 mm) thick, install a filler panel between the door and the decorative panel.

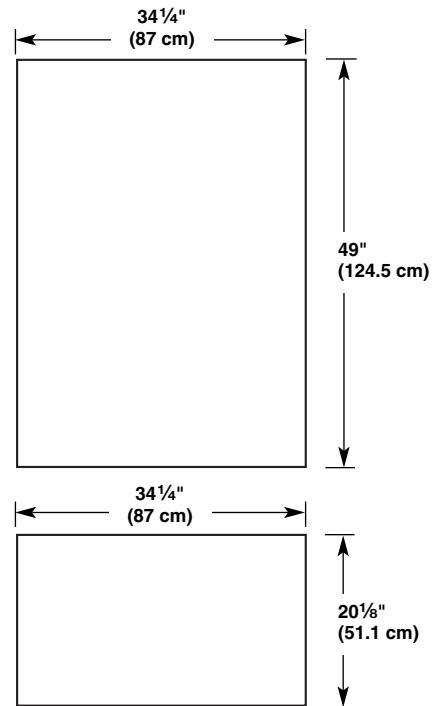
### Top Grille Panel

The top panel should not weigh more than 10 lbs (4.5 kg).



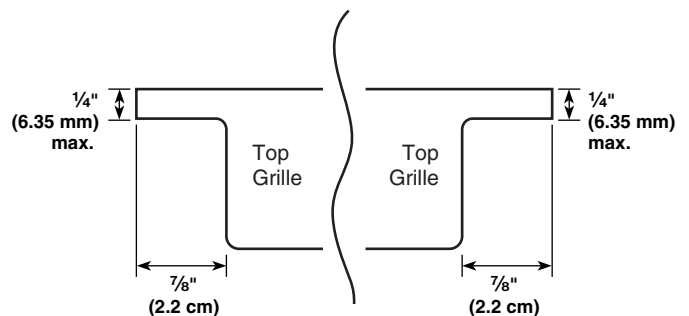
## Refrigerator and Freezer Panels

The freezer panel should not weigh more than 20 lbs (9.1 kg). The refrigerator panel should not weigh more than 50 lbs (22 kg).



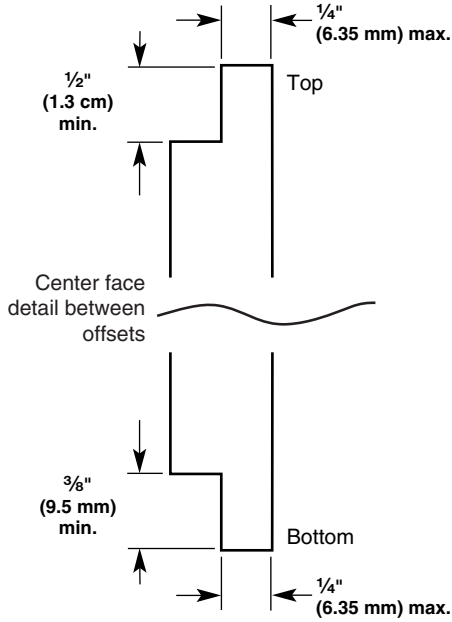
### Top Grille Panel – Routing Requirements

If the custom panels are thicker than  $1/4"$  (6.35mm), the top and bottom edges of the top panel should be edge routed  $1/2"$  (1.27 cm) and  $3/8"$  (9.5 mm), respectively. Both ends should be edge routed  $7/8"$  (2.2 cm) as shown.

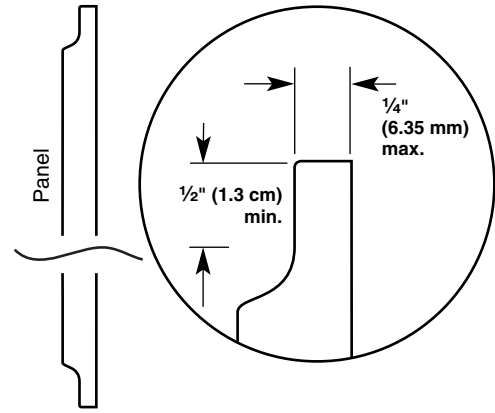




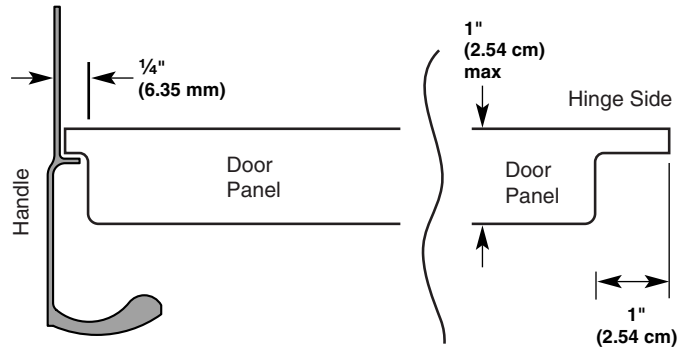
**NOTE:** When creating a panel with face detail, the offsets will be hidden and must be accounted for in order to center the detail in the top grille.



**Door Panel - Side View**



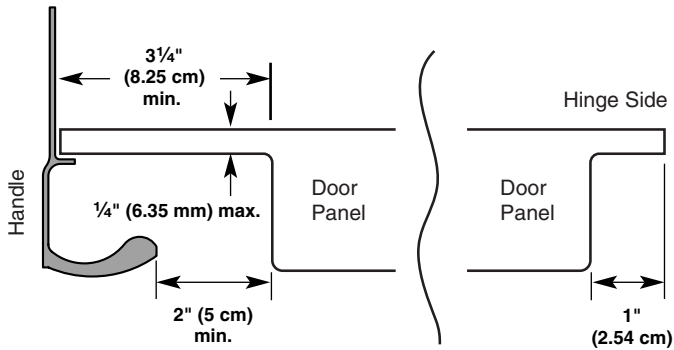
**Extended Handle - Top View**



**Door Panel – Routing Requirements**

If the custom panels are thicker than 1/4" (6.35 mm), then all edges of the panels must be routed. If the standard handle is used, rout the entire handle side of both panels 3/4" (8.25 cm) to allow for finger clearance. Then rout the hinge side of the refrigerator panel 1" (2.54 cm). Rout both sides of the freezer panel 1" (2.54 cm).

**Standard Handle – Top View**



If an extended handle kit is used, rout the handle side 1/4" (6.35 mm). All other routing dimensions would remain the same as the standard handle. Make sure your product location will allow doors with extended handles to be opened to 90 degrees. See "Door Swing Dimensions."

For more information on ordering extended handles, see "Classic Series Factory Panels and Kits."

**NOTE:** For both types of handles, rout the top and bottom edges of the refrigerator panel 1/2" (1.27 cm). Rout the bottom of the freezer panel 1/2" (1.27 cm).

**Classic and Architect® Series Custom Side Panels**

Custom side panels may be needed when not enough space is available to have cabinets on both sides of the refrigerator or when the refrigerator is placed and the end of a cabinet run. You may choose an Inset, Flush, or Recessed Inset panel installation.

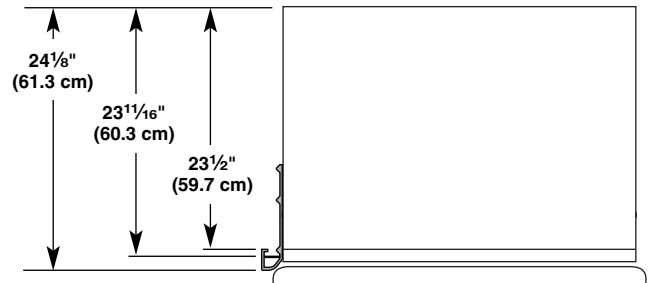
**Refrigerator and Side Trim Dimensions**

The width and height of a side panel are determined by the type of installation you are planning.

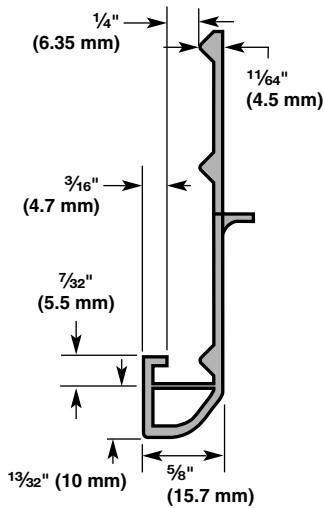
**NOTES:**

- The dimensions shown are actual product dimensions and may not reflect the needed panel installation dimensions.
- The side panel should be a minimum of 1/2" (1.27 cm) thick to avoid warping.
- If the opening depth is 25" (63.5 cm) or more, you may want to install a support board on the rear wall.

**Refrigerator**

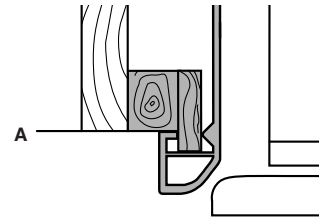


## Side Trim



## Recessed Inset Installation Dimensions

1. Measure the distance from point A (as shown) to back wall.



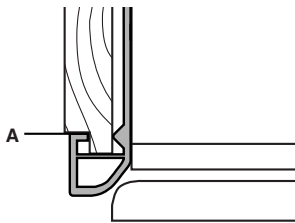
2. Rout the front edge of the support board or attach a 1/4" (6.35 mm) board to hold the panel in the cabinet side trim.

## Overlay Series Custom Side Panels

Custom side panels may be needed when not enough space is available to have cabinets on both sides of the refrigerator or when the refrigerator is placed and the end of a cabinet run. You may choose an Inset or Recessed Inset panel installation.

## Inset Installation Dimensions

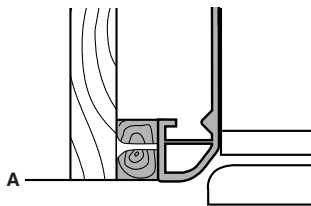
1. Measure the distance from point A (as shown) to the back wall. Add 7/32" (5.6 mm) to this measurement to allow the side panel to fit into the trim.



2. If the panel is more than 1/4" (6.35 mm) thick, rout the front edge to allow the side panel to fit into the trim.

## Flush Installation Dimensions

1. Measure the distance from point A (as shown) to the back wall.



2. Attach the support board with a screw or adhesive that is compatible with aluminum and wood.

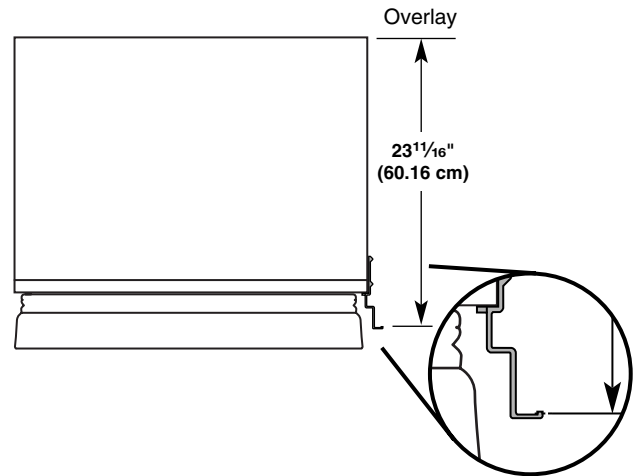
## Refrigerator and Side Trim Dimensions

The width and height of a side panel are determined by the type of installation you are planning.

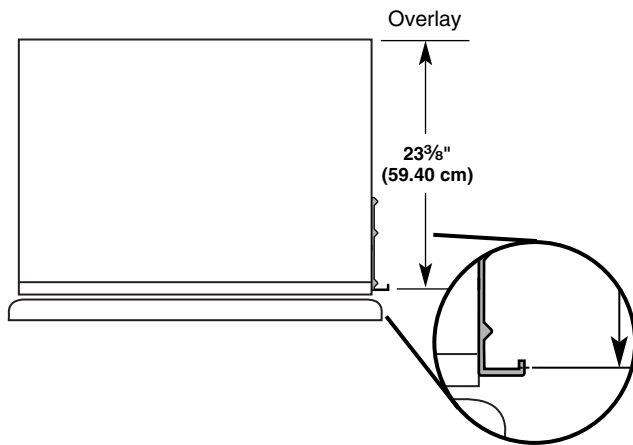
### NOTES:

- The dimensions shown are actual product dimensions and may not reflect the needed installation dimensions.
- The side panel should be a minimum of 1/2" (1.27 cm) thick to avoid warping.
- If the opening depth is 25" (63.5 cm) or more, you may want to install a support board on the rear wall.

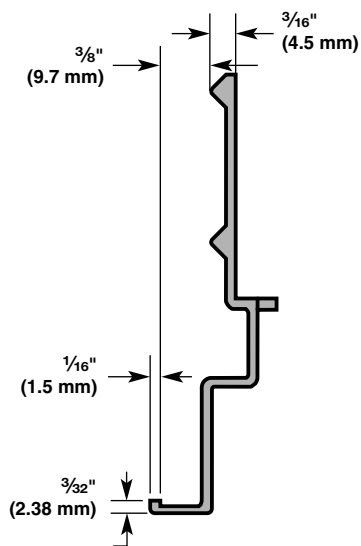
## Refrigerator (36" [91.4 cm] Models)



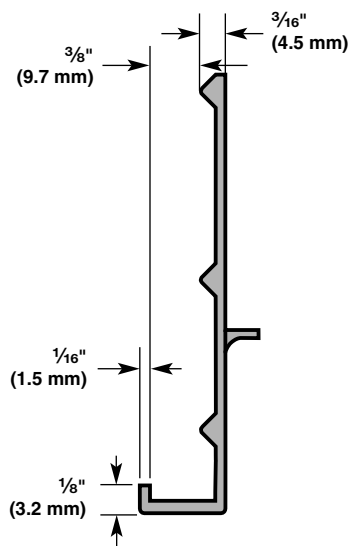
## Refrigerator (42" [106.7 cm] Models)



## Side Trim (36" [91.4 cm] Models)



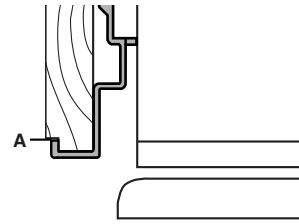
## Side Trim (42" [106.7 cm] Models)



## Inset Installation Dimensions

### 36" [91.4 cm] Models

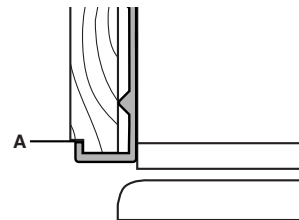
1. Measure the distance from point A (as shown) to the back wall. Add  $\frac{1}{32}$ " (0.8 mm) to this measurement to allow the side panel to fit into the trim.



2. If the panel is more than  $\frac{3}{8}$ " (9.5 mm) thick, rout the front edge to allow the side panel to fit into the trim.

### 42" [106.7 cm] Models

1. Measure the distance from point A (as shown) to the back wall. Add  $\frac{1}{32}$ " (0.8 mm) to this measurement to allow the side panel to fit into the trim.

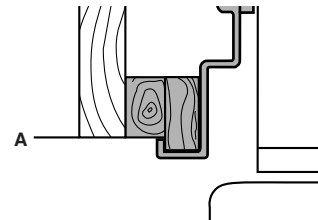


2. If the panel is more than  $\frac{3}{8}$ " (9.5 mm) thick, rout the front edge to allow the side panel to fit into the trim.

## Recessed Inset Installation Dimensions

### 36" [91.4 cm] Models

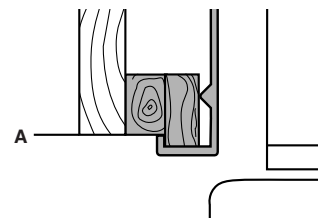
1. Measure the distance from point A (as shown) to back wall.



2. Rout the front edge of the support board or attach a  $\frac{3}{8}$ " (9.5 mm) board to hold the panel in the cabinet side trim.

### 42" [106.7 cm] Models

1. Measure the distance from point A (as shown) to back wall.



2. Rout the front edge of the support board or attach a  $\frac{3}{8}$ " (9.5 mm) board to hold the panel in the cabinet side trim.

# INSTALLATION INSTRUCTIONS

## Unpack the Refrigerator

### **⚠ WARNING**



#### Tip Over Hazard

**Refrigerator is top heavy and tips easily when not completely installed.**

**Keep doors taped closed until refrigerator is completely installed.**

**Use two or more people to move and install refrigerator.**

**Failure to do so can result in death or serious injury.**

#### IMPORTANT:

- Do not remove the film covering until the refrigerator is in its operating location.
  - All four leveling legs must contact the floor to support and stabilize the full weight of the refrigerator.
  - Keep the cardboard shipping piece or plywood under the refrigerator until it is installed in the operating location.
1. Remove and save the literature package bag taped to the side of the refrigerator and the parts bag behind the grille. Remove the four brackets (two on each side) that attach the shipping base to the refrigerator bottom.  
**NOTE:** Do not remove tape and door bracing until the refrigerator is in its final location.
  2. If necessary, reduce the tipping radius. See “Tipping Radius” for ceiling height requirements or “Reduce Tipping Radius” for step-by-step instructions. If you do not need to reduce the tipping radius, proceed to “Move the Refrigerator into House.”

## Reduce Tipping Radius (if required)

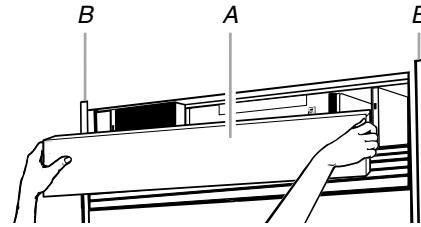
Before bringing the refrigerator into the home, be sure there is adequate ceiling height to stand the refrigerator upright. See “Tipping Radius” in the “Installation Requirements” section for more information.

If you do not have adequate ceiling height to stand the refrigerator upright, the tipping radius can be reduced by removing the top grille and side trims (see the following chart).

Model	Reduced Tipping Radius
36	88" (223.5 cm)
42	88½" (224.8 cm)

1. Grasp both ends of the top grille.

2. Push the top grille straight up; then pull straight out. Lay the grille on a soft surface.



A. Top grille  
B. Cabinet side trim

3. Remove the six screws attaching each cabinet side trim to the refrigerator and remove the side trims.

## Move the Refrigerator into House

### **⚠ WARNING**



#### Tip Over Hazard

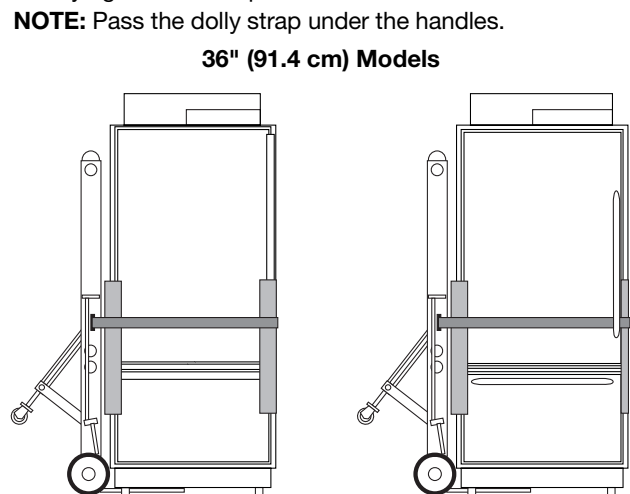
**Refrigerator is top heavy and tips easily when not completely installed.**

**Keep doors taped closed until refrigerator is completely installed.**

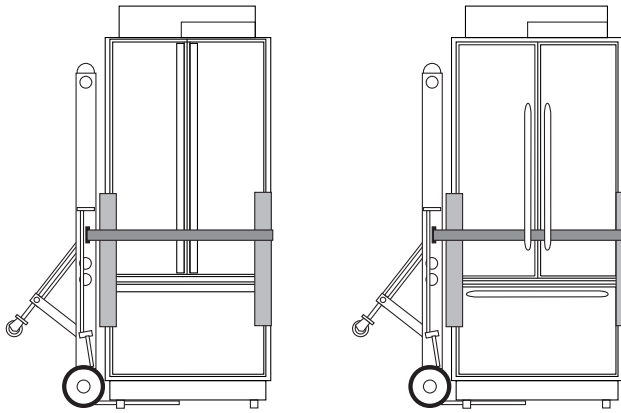
**Use two or more people to move and install refrigerator.**

**Failure to do so can result in death or serious injury.**

1. Place an appliance dolly under the left side of the refrigerator as shown. Place the corner posts from the packing materials over the trims and handles as appropriate to avoid damage. Slowly tighten the strap.



## 42" (106.7 cm) Models



2. Place pieces of the shipping carton on the floor when rolling the dolly and refrigerator into the house. Move the refrigerator close to the built-in opening.
3. Place top of cardboard carton or plywood under refrigerator.
4. Stand the refrigerator up. First, place the left bottom edge of the refrigerator on the floor, stand the refrigerator upright and then lower the right-hand side of the refrigerator to the floor.
5. Do not remove film or cover.
6. Reassemble the trim and top grille after the dolly has been removed from the refrigerator.

## Install Anti-Tip Boards

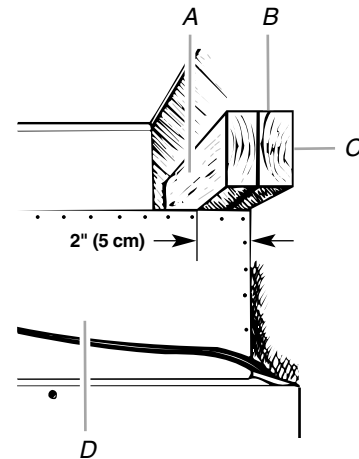
### IMPORTANT:

- To avoid tipping during use, the solid soffit must be within 1" (2.5 cm) maximum above the refrigerator. If the solid soffit is higher than 1" (2.5 cm) or one is not available, then the refrigerator must be braced.
- It is recommended that board(s) be installed before the refrigerator is installed.
- Board(s) must be long enough to fully cover the width of the compressor cover.
- Locate the board(s) so the bottom surface(s) of the board(s) is(are) 84" (213 cm) from the floor.
- During installation, raise the refrigerator up so there is ¼" (6.35 mm) maximum between the top of the refrigerator and the bottom of the anti-tip board(s). Do not crush the compressor cover when raising the rear leveling legs.

### To Install Anti-tip Boards

1. Mark the stud locations on rear wall 80" to 90" (203 cm to 229 cm) above floor.

2. Securely attach one or two 2" x 4" x 32" (5 cm x 10 cm x 81 cm) boards to wall studs behind refrigerator. Use six #8 x 3" (7.6 cm) (or longer) wood screws. The wood screws must be screwed into the studs at least 1½" (3.8 cm). The board(s) must overlap the compressor cover.



- A. Center board ¼" (6.35 mm) max. above refrigerator  
 B. Two 2" x 4" x 32" (5 cm x 10 cm x 81 cm) boards  
 C. Attach to studs with six #8 x 3" (7.6 cm) screws  
 D. Compressor cover

## Connect the Water Supply

Read all directions before you begin.

**IMPORTANT:** If you turn the refrigerator on before the water line is connected, turn the ice maker OFF.

### Connect to Water Line

#### Parts Needed:

- Minimum 7 ft (2.13 m) flexible, codes approved water supply line

#### Style 1 - Shutoff Valve Connection

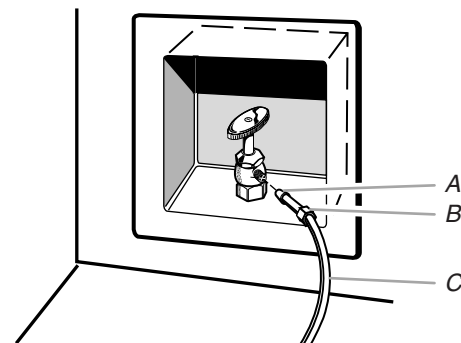
**NOTE:** If your water line connection does not look like Style 1, see "Style 2 - Copper Line Connection."

1. Unplug refrigerator or disconnect power supply.

**IMPORTANT:** Before attaching the tubing to shutoff valve, flush the main water supply line to remove particles and air in the water line. Allow enough flow so that water becomes clear. Flushing the water line may help avoid filters and/or water valves from becoming clogged.

2. Connect the flexible, codes approved water supply line to the water shutoff valve by threading the provided nut onto the shutoff valve as shown.

**NOTE:** The shutoff valve shown is in the side cabinet as recommended.



- A. Bulb  
 B. Nut  
 C. Water tubing

- Place the end of the tubing into a bucket, and turn shutoff valve ON.
- Check for leaks. Tighten any nuts or connections (including connections at the valve) that leak.

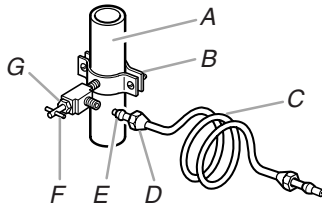
### Style 2 - Copper Line Connection

**NOTE:** If there is a water supply line that meets the specifications in "Water Supply Requirements," proceed to "Connecting to Refrigerator." If not, use the following instructions to connect to the household cold water supply.

- Unplug refrigerator or disconnect power.
- Turn OFF main water supply. Turn ON nearest faucet long enough to clear line of water.
- Locate a ½" to 1¼" (1.25 cm to 3.18 cm) vertical cold water pipe near the refrigerator.

**IMPORTANT:**

- Make sure it is a cold water pipe.
  - Horizontal pipe will work, but drill on the top side of the pipe, not the bottom. This will help keep water away from the drill and keep normal sediment from collecting in the valve.
- Determine the length of copper tubing you need. Measure from the connection on the lower left rear of refrigerator to the water pipe. Add 7 ft (2.1 m) to allow for cleaning. Use ¼" (6.35 mm) O.D. (outside diameter) copper tubing. Be sure both ends of copper tubing are cut square.
  - Using a cordless drill, drill a ¼" (6.35 mm) hole in the cold water pipe you have selected.



A. Cold water pipe  
 B. Pipe clamp  
 C. Copper tubing  
 D. Compression nut  
 E. Compression sleeve  
 F. Shutoff valve  
 G. Packing nut

- Fasten the shutoff valve to the cold water pipe with the pipe clamp. Be sure the outlet end is solidly in the ¼" (6.35 mm) drilled hole in the water pipe and that the washer is under the pipe clamp. Tighten the packing nut. Tighten the pipe clamp screws slowly and evenly so washer makes a watertight seal. Do not overtighten.

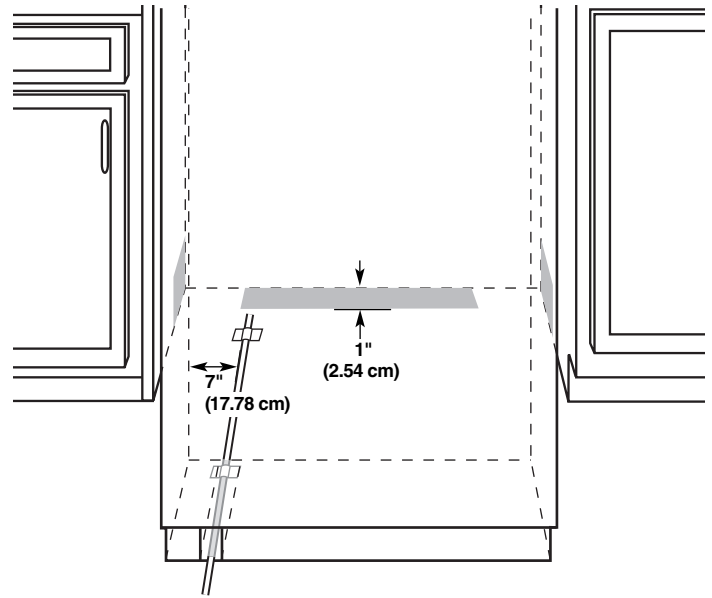
**IMPORTANT:** Before attaching the tubing to shutoff valve, flush the main water supply line to remove particles and air in the water line. Allow enough flow so that water becomes clear. Flushing the water line may help avoid filters and/or water valves from becoming clogged.

- Slip the compression sleeve and compression nut on the copper tubing as shown. Insert the end of the tubing into the outlet end squarely as far as it will go. Screw compression nut onto outlet end with adjustable wrench. Do not overtighten the clamp or the sleeve. This will crush the copper tubing.
- Turn off the shutoff valve on the water pipe. Coil the copper tubing.
- Connect the flexible, codes approved water supply line to the water shutoff valve by threading the provided nut onto the shutoff valve.
- Place the end of the tubing into a bucket, and turn shutoff valve ON.
- Check for leaks around the saddle valve. Tighten any nuts or connections (including connections at the valve) that leak.

### Connect to Refrigerator

**Parts Supplied:**

- ¼" to ¼" (6.35 mm to 6.35 mm) male-to-male coupling



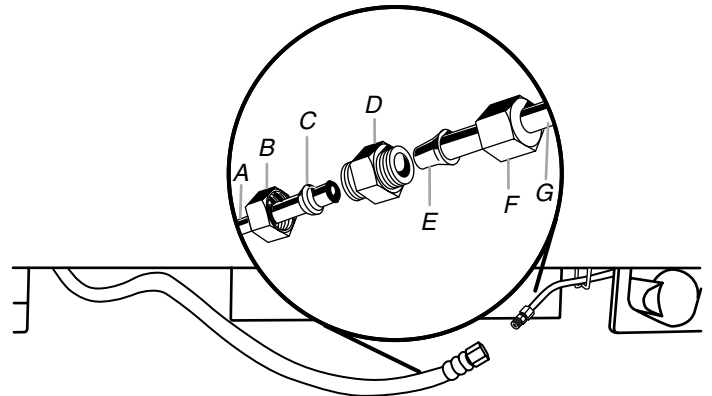
**NOTE:** The flexible, codes approved water supply line can connect to the supply valve through the floor or through the side cabinets, as indicated by the gray boxes above.

- Unplug the refrigerator or disconnect power.
- Connect the 7 ft (2.13 m) flexible codes approved water tube to the water supply valve.
- Flush the main water supply line to remove particles and air in the water line. Allow enough flow so that water becomes clear.
- Tape the 7 ft (2.13 m) flexible codes approved water supply line to the floor, 7" (17.78 cm) from the left side of the refrigerator. Tape along the length of the tubing, which will allow it to pass beneath the refrigerator without interference.

**NOTE:** Allow a minimum of 26" (66.04 cm) of flexible codes approved water supply line to be loose at the front of the refrigerator for connecting to the refrigerator.

- Connect the 7 ft (2.13 m) flexible codes approved water supply line to the refrigerator.

**NOTE:** If the main water shutoff valve is behind the refrigerator, a secondary water shutoff valve may be installed in line with the water supply line at the front of the product.



A. Household water line  
 B. Nut (purchased)  
 C. Ferrule (purchased)  
 D. Coupling  
 E. Bulb  
 F. Nut  
 G. Refrigerator water tubing

- Turn on the water supply valve and check all connections for leaks.

## Plug in Refrigerator

### **⚠️ WARNING**



#### Electrical Shock Hazard

- Plug into a grounded 3 prong outlet.
- Do not remove ground prong.
- Do not use an adapter.
- Do not use an extension cord.
- Failure to follow these instructions can result in death, fire, or electrical shock.

1. Set control switch at top of cabinet to the OFF position.
2. Plug into a grounded 3 prong outlet.

## Move Refrigerator to Final Location

### **⚠️ WARNING**



#### Tip Over Hazard

- Refrigerator is top heavy and tips easily when not completely installed.
- Keep doors taped closed until refrigerator is completely installed.
- Use two or more people to move and install refrigerator.
- Failure to do so can result in death or serious injury.

**IMPORTANT:** To avoid floor damage, make sure levelers are raised (not touching floor) and refrigerator is on rollers before moving.

1. Place top of cardboard carton or plywood under refrigerator. Remove dolly.
2. Do not remove film or cover.
3. Move the refrigerator straight back and evenly into the opening. Be sure that the refrigerator side trims are not interfering with the door opening. Also, be sure that the water tubing is not kinked and the power supply cord is on top of the refrigerator.

## Level and Align Refrigerator

### **⚠️ WARNING**



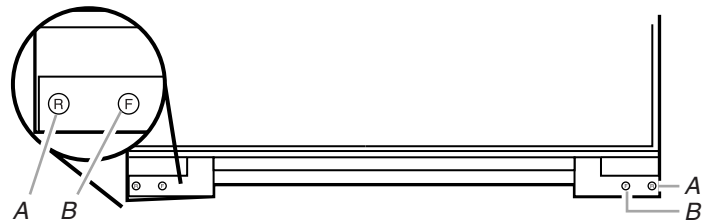
#### Tip Over Hazard

- Refrigerator is top heavy and tips easily when not completely installed.
- Keep doors taped closed until refrigerator is completely installed.
- Use two or more people to move and install refrigerator.
- Failure to do so can result in death or serious injury.

**IMPORTANT:** All four leveling legs must contact the floor to support and stabilize the full weight of refrigerator. Rollers are for moving refrigerator and not for permanent support.

After moving the refrigerator to its final location:

1. Use a  $\frac{5}{16}$ " socket driver to turn the leveling bolts clockwise to extend the legs to the floor as shown. The rollers should be off the floor.

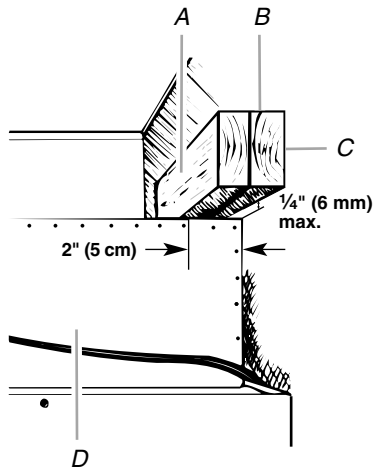


A. Rear leveling bolt  
B. Front leveling bolt

2. Adjust the leveling legs to level and align the refrigerator from left to right and front to back so that the refrigerator is level and aligned with the cabinetry. The cabinetry surface must be plumb for the ideal fit of the refrigerator side trim.

- Continue adjusting all of the leveling legs to raise the refrigerator until the top is within at least 1" (2.54 cm) of the top soffit.

**NOTE:** If an anti-tip board has been used, adjust the leveling legs until the top of the refrigerator is within 1/4" (6.35 mm) of the bottom of the anti-tip board as shown. Do not crush the compressor cover.



- A. Center board 1/4" (6.35 mm) max. above refrigerator
- B. Two 2" x 4" x 32" (5 cm x 10 cm x 81 cm) boards
- C. Attach to studs with six #8 x 3" (7.6 cm) screws
- D. Compressor cover

**IMPORTANT:** Adjust in small increments to keep from damaging the cabinet trim and causing problems with the door alignment or top grille fit. To avoid damage to the cabinet or leveling legs, do not apply more than 50 inch-pounds (5.65 Nm) of torque to the leveling bolts. The leveling legs can be extended to a maximum of 1 1/4" (3.18 cm) below the rollers.

- For Classic and Overlay models, additional adjustments may be needed after the custom panels are installed.

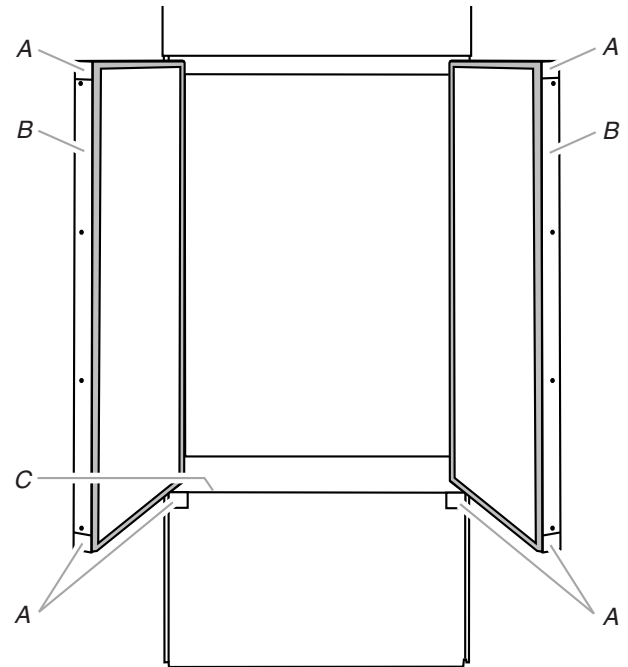
## Install Overlay and Classic Series Custom Panels

### IMPORTANT:

- Install the custom handles prior to installing the panels on the refrigerator. For more information on KitchenAid custom handle selection, refer to the KitchenAid Catalog, visit [www.kitchenaid.com](http://www.kitchenaid.com), or call 1-800-422-1230. In Canada, visit [www.KitchenAid.ca](http://www.KitchenAid.ca), or call 1-800-807-6777.
- Create custom door overlay panels according to the specifications in the "Overlay Series Custom Panels" section.
- KitchenAid is not responsible for the removal or addition of molding or decorative panels that would not allow access to the refrigerator for service.

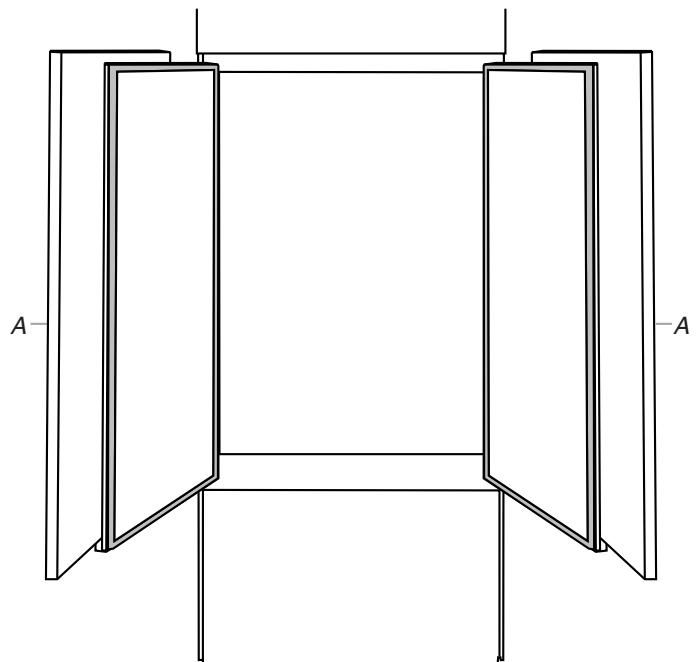
## Door Panel Installation

- Remove all tape and door bracing from the refrigerator door(s) and freezer drawer.
- Open the refrigerator door(s) and freezer drawer and remove the trims and corner caps on each door as shown.



- A. Corner caps
- B. Refrigerator door trims
- C. Freezer drawer trim

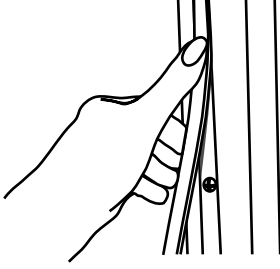
- Slide the custom panels into the trims on the refrigerator door(s) and freezer drawer, making sure that the backer panel fits into the hinge side trims.



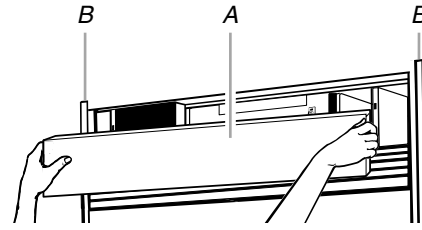
A. Panels



- Reinstall the trims and corner caps.
- Remove the film from the screw covers. Snap the screw covers into the handle trim section.



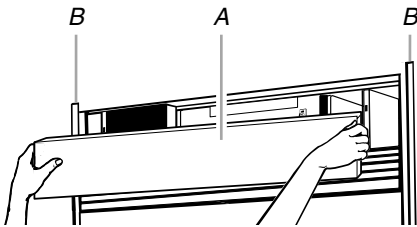
- Replace the top grille in the cabinet side trims and pull the panel down slightly to lock it into place.



A. Top grille  
B. Cabinet side trims

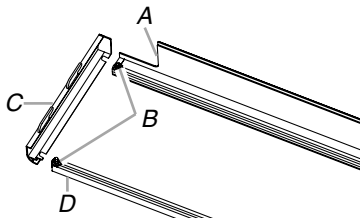
### Top Grille Panel

- Grasp both ends of the top grille.
- Push straight up; then pull straight out. Place the top grille panel-side down on a soft working surface.



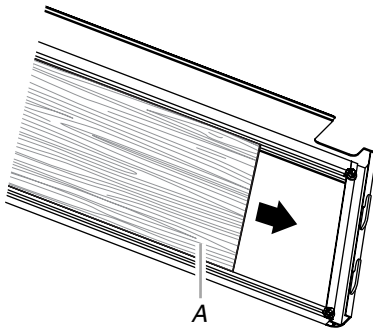
A. Top grille  
B. Cabinet side trims

- Remove one end cap by loosening the nuts and sliding the end cap off.



A. Bottom rail  
B. Nuts  
C. End cap  
D. Top rail

- Slide the custom panel into the top grille channel and reattach the end cap.

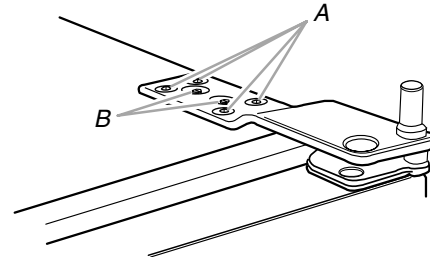


A. Custom panel

### Adjust Door(s)

#### Door Alignment (36" [91.4 cm] Models)

- Loosen, but do not remove, the four Torx® 27 flat-head mounting screws and the two ¼" hex-head mounting screws in the top hinge.
- Adjust the top hinge of the door to align it.
- Tighten the Torx® 27 flat-head mounting screws to a torque of approximately 100 inch-pounds (11.3 Nm).
- Tighten the ¼" hex-head screws.



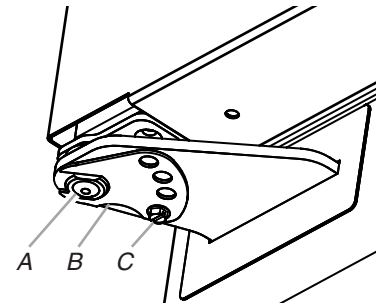
A. Torx® 27 flat-head mounting screws  
B. ¼" hex-head mounting screws

#### Door Height Adjustment (42" [106.7 cm] Models)

Use the following steps to adjust the door height, up or down, after the refrigerator has been leveled.

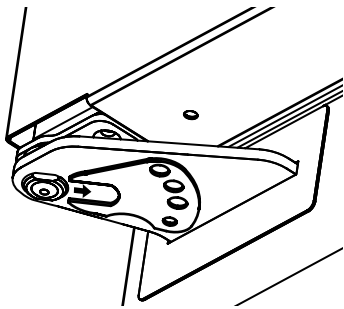
**NOTE:** Adjust the right door to the position of the left door first. If it is necessary to adjust the left door, you must make sure that the hinged center rail located on the left-hand door does not drag when closing the door.

- Open the freezer drawer. Remove the locking plate screw from the bottom side of the refrigerator door hinge using a ¼" open-end wrench.



A. Bushing  
B. Locking plate  
C. Locking plate screw

- Remove the locking plate as shown.

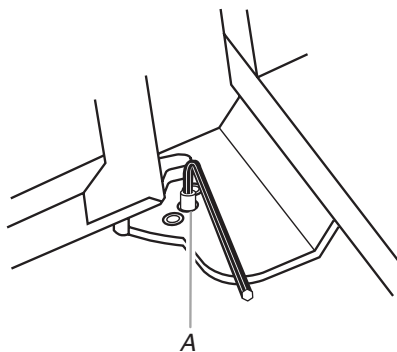


- Turn the bushing located underneath the bottom of the hinge using a 1/2" open-end wrench. Turning the bushing to the left will lower the door. Turning the bushing right will raise the door.
- After adjusting, check the doors to make sure they are even at the top and bottom. If the doors are not even, continue to turn the bushing to adjust the door.
- Replace the locking plate.
  - Turn the bushing slightly to align the hinge and locking plate screw holes.
  - Replace and tighten the locking plate screw.
- Make final check to make sure the doors are aligned and even.

## Door Swing Adjustment

### 36" (91.4 cm) Models

- Check that the refrigerator door can open freely. If the door opens too wide, remove the door stop screw from the bottom hinge with a Torx<sup>®†</sup> T15 screwdriver.

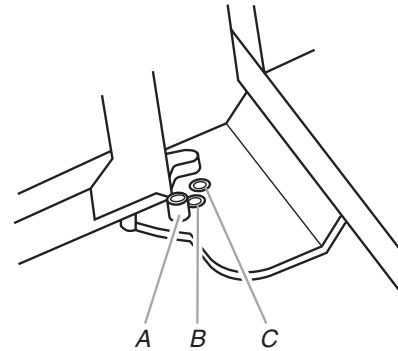


A. Door stop screw

- Hold the door open to a position that is less than 90°.

- Replace the door stop screw in the bottom hinge and tighten.

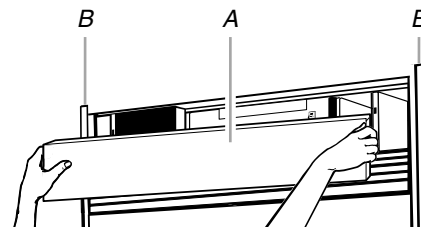
**IMPORTANT:** Do not place the door stop screw in the 130° position on Overlay Series models. See "Handle and Door Clearances."



A. 130°  
B. 110° (Overlay series)  
C. 90°

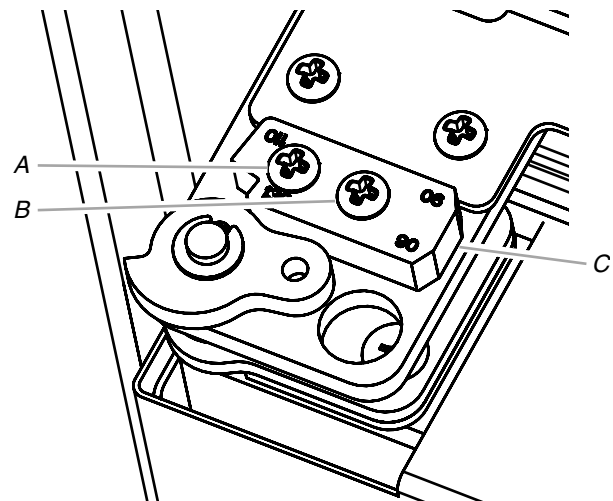
### 42" (106.7 cm) Models

- Check that the refrigerator door can open freely. If the door opens too wide, you will have to adjust the door stop position.
- Grasp both ends of the top grille.
- Push the top grille straight up, then pull straight out. Lay the grille on a soft surface.



A. Top grille  
B. Cabinet side trims

- The door stop is located on the top hinge.

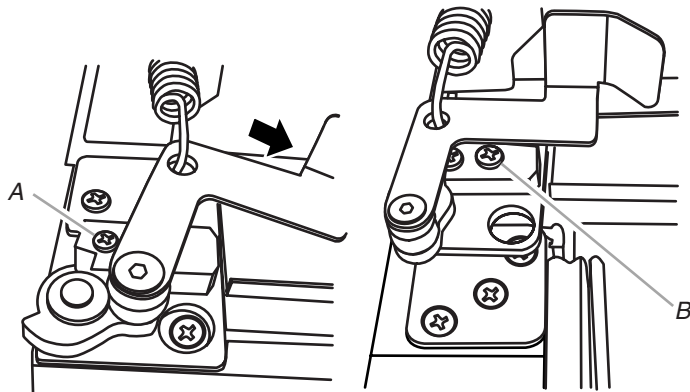


A. Door stop screw "A"  
B. Door stop screw "B"  
C. Door stop

†TORX is a registered trademark of Saturn Fasteners, Inc.

5. Remove the 2 door stop screws.

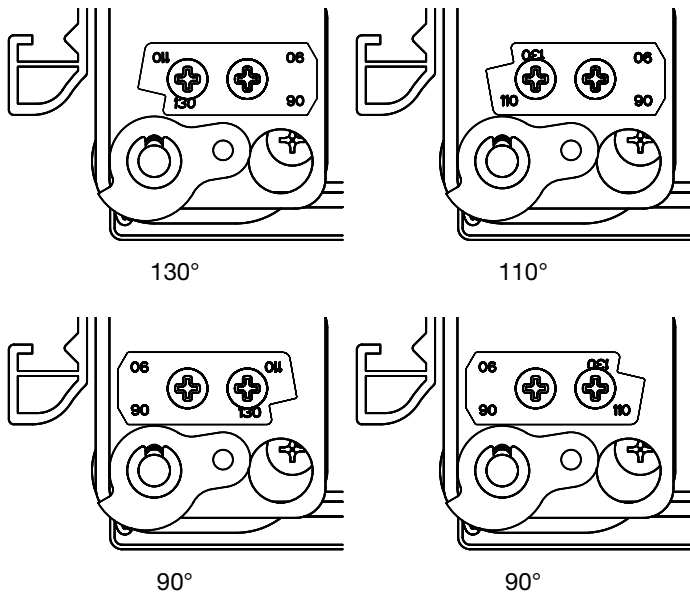
- To remove the outer screw ("A"): With the door closed, firmly press the L-shaped bracket toward the center of the refrigerator until the screw is exposed.
- To remove the inner screw ("B"): Open the door 90° and the L-shaped bracket will expose the screw.



A. Door stop screw "A"  
B. Door stop screw "B"

6. Reverse or rotate the door stop to the desired position as shown below.

**NOTE:** For Overlay Series models, rout the hinge side of the custom door panels to a radius that is equal to at least half the thickness of the panel if a 130° door swing is desired.



Left-hand as shown; Right-hand reversed

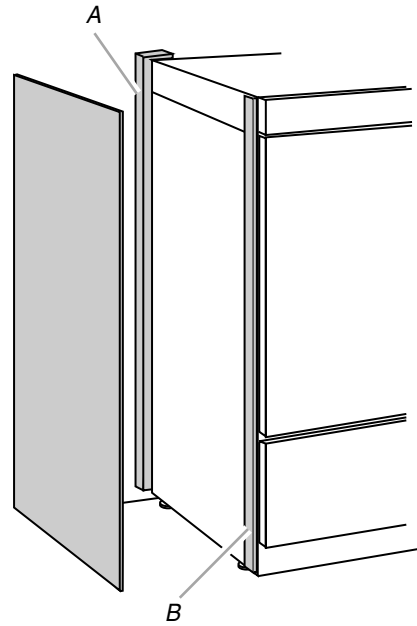
7. Replace the door stop screws and tighten.
8. Check that the door can open freely.

## Install Side Panel

If the built-in area depth is 25" (63.5 cm) or more, the side panels can be installed inside the side trim or attached to the outside of the side trim.

**IMPORTANT:** KitchenAid is not responsible for the removal or addition of molding or decorative panels that would not allow access to the refrigerator for service.

1. For the inside side trim piece, slide the front edge of the routed side panel into the trim piece.
2. Nail the rear edge of the panel to the support board.



A. Support board  
B. Side trim piece

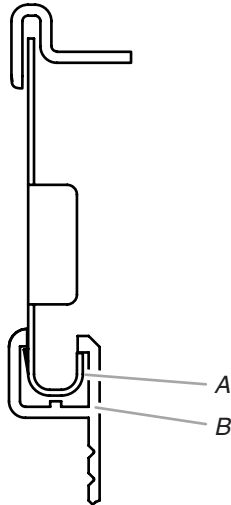
## Install Base Grille

There are two pieces to the base grille to allow for a custom fit: the base grille itself and the skirt. The skirt can be added to the base grille in order to extend it all the way to the floor.

1. To see whether the skirt is needed, place the base grille into position. Do not attach the base grille to the refrigerator. Measure the distance between the bottom of the base grille and the floor. The gap must be a minimum of  $\frac{1}{2}$ " (1.27 cm) in order to add the skirt.

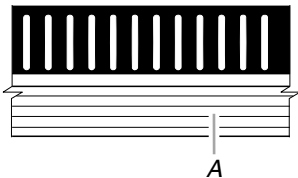
**NOTE:** If the gap measures less than  $\frac{1}{2}$ " (1.27 cm), skip steps 3 and 4 of the instructions, and install the base grille only.

2. Remove the film from the base grille.
3. Snap the skirt onto the base grille.



A. Base grille  
B. Skirt

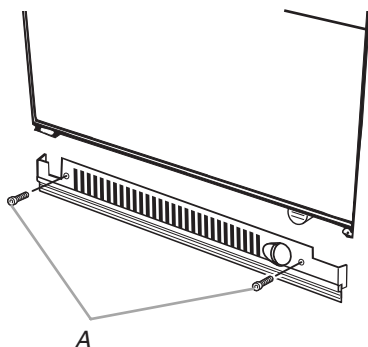
4. Trim the skirt by scoring the proper "V" groove with a utility knife. Break the skirt at the score line.



A. "V" groove

5. Using the two screws, attach the base grille assembly to the refrigerator as shown.

**NOTE:** Drive in the right side screw first.



A. Screws (2)

## Complete Installation

1. Turn the water supply line valve to the "Open" position.
2. Turn the refrigerator switch to the ON position. See "Power On/Off Switch" in the Use & Care Guide for instructions. Wait a few minutes. Check the water line connections for leaks.
3. Remove all boxes, parts packages and packing materials from the interior of the refrigerator. See the "Cleaning" section in the Use & Care Guide for instructions. Remove the film and cardboard from the grille and doors or door frame, depending on your model.
4. Install the shelves and bins in the refrigerator and freezer compartments.
5. The controls are preset at the factory to the midpoint setting. Make sure the compressor is operating properly and that all the lights are working.
6. If construction will continue after the refrigerator has been installed, set the controls to OFF.

To get the most efficient use from your new built-in refrigerator, read the Use & Care Guide. Keep Installation Instructions and Use & Care Guide near the built-in refrigerator for easy reference.

# SEGURIDAD DEL REFRIGERADOR

## Su seguridad y la seguridad de los demás es muy importante.

Hemos incluido muchos mensajes importantes de seguridad en este manual y en su electrodoméstico. Lea y obedezca siempre todos los mensajes de seguridad.



Este es el símbolo de advertencia de seguridad.

Este símbolo le llama la atención sobre peligros potenciales que pueden ocasionar la muerte o una lesión a usted y a los demás.

Todos los mensajes de seguridad irán a continuación del símbolo de advertencia de seguridad y de la palabra "PELIGRO" o "ADVERTENCIA". Estas palabras significan:

**⚠ PELIGRO**

Si no sigue las instrucciones de inmediato, usted puede morir o sufrir una lesión grave.

**⚠ ADVERTENCIA**

Si no sigue las instrucciones, usted puede morir o sufrir una lesión grave.

Todos los mensajes de seguridad le dirán el peligro potencial, le dirán cómo reducir las posibilidades de sufrir una lesión y lo que puede suceder si no se siguen las instrucciones.

## ⚠ ADVERTENCIA



### Peligro de Vuelco

El refrigerador puede volcarse cuando está siendo instalado debido a que la parte superior es pesada.

Mantenga las puertas cerradas con cinta hasta que el refrigerador esté completamente instalado.

Use dos o más personas para mover e instalar el refrigerador.

No seguir estas instrucciones puede ocasionar la muerte o herida seria.

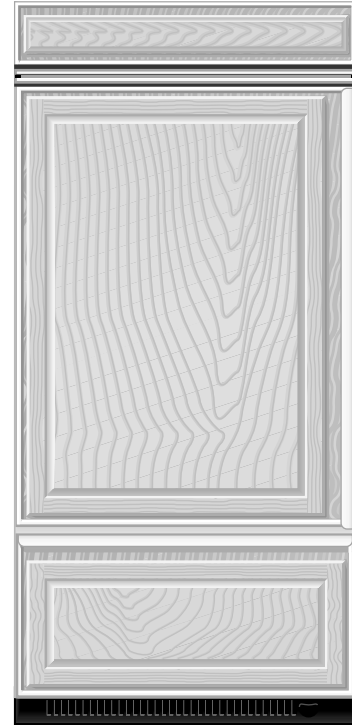
# MODELOS



## Serie Architect® (modelos de 36" [91,4 cm])

Presenta un estilo envolvente que complementa los contornos de las manijas de la puerta. Esta serie ofrece un estilo comercial cálido para refrigeradores empotrados.

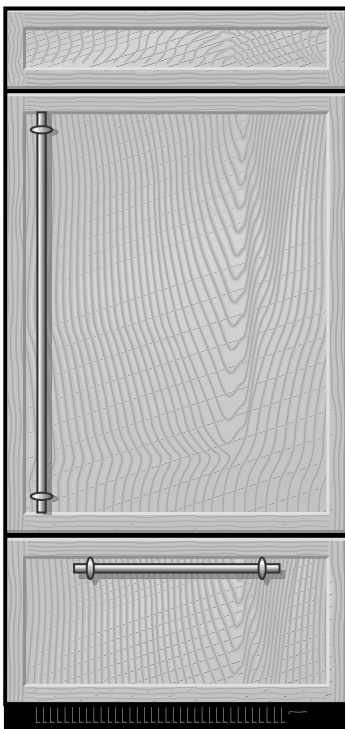
KBRC36FTS      KBLC36FTS



## Serie Classic (modelos de 36" [91,4 cm])

Presenta un adorno tipo tradicional instalado de fábrica que ofrece un estilo "enmarcado". Esta serie requiere la instalación de paneles a la medida que no están incluidos.

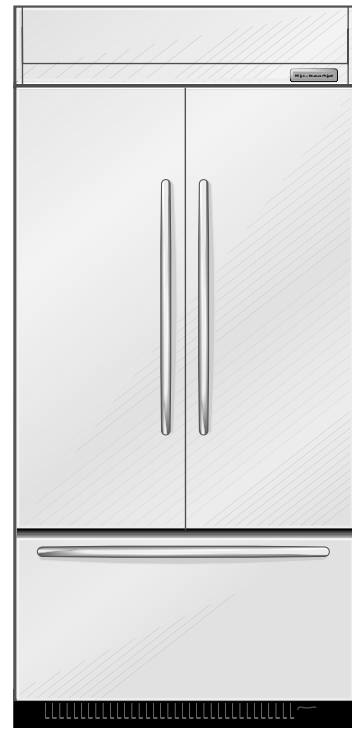
KBRS36FTB      KBRS36FTX      KBLS36FTB  
KBLS36FTX



## Serie Overlay (modelos de 36" [91,4 cm])

Presenta un adorno recubierto instalado de fábrica que ofrece un estilo "sin marco". Esta serie requiere la instalación de paneles, agarraderas y pedestales a la medida.

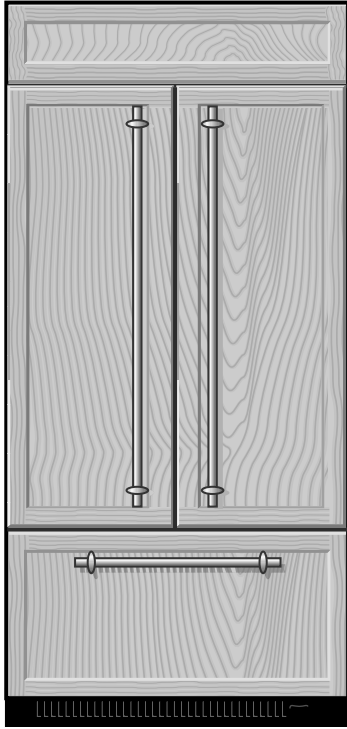
KBRO36FTX      KBLO36FTX



## Serie Architect® (modelos de 42" [106,7 cm])

Presenta un estilo envolvente que complementa los contornos de las agarraderas de la puerta. Esta serie ofrece un estilo comercial cálido para refrigeradores empotrados.

KBFC42FTS



### Serie Overlay (modelos de 42" [106,7 cm])

Presenta un adorno recubierto instalado de fábrica que ofrece un estilo "sin marco". Esta serie requiere la instalación de paneles, agarraderas y pedestales a la medida.

KBFO42FTX

## REQUISITOS DE INSTALACIÓN

### Piezas y herramientas

#### IMPORTANTE:

- Instalador: Deje las Instrucciones de instalación con el propietario.
- Propietario: Conserve las Instrucciones de instalación para referencia futura. Guarde estas Instrucciones de instalación para tenerlas a disposición del inspector de electricidad local.

#### HERRAMIENTAS NECESARIAS:

Ensamble las herramientas y piezas necesarias antes de comenzar la instalación. Lea y siga las instrucciones provistas con cualquiera de las herramientas enlistadas aquí.

- |   |  |
|---|--|
| ■ Taladro inalámbrico                       | ■ Destornilladores Torx® T15 y T27                       |
| ■ Brocas                                    | ■ Llave para tuercas de 1 <sup>1</sup> / <sub>32</sub> " |
| ■ Dos llaves ajustables                     | ■ Llaves de boca de 3/8", 1/4" y 1/2"                    |
| ■ Destornillador Phillips                   | ■ Llave hexagonal de 5/32"                               |
| ■ Nivel pequeño                             | ■ Llaves de cubo de 1/4" y 5/16"                         |
| ■ Plataforma rodante para electrodomésticos | ■ Cinta para medir                                       |
|   | ■ Cuchillo para uso general                              |

#### PIEZAS NECESARIAS:

- 6 tornillos para madera #8 x 3" (7,6 cm) (pudieran necesitarse tornillos más largos)
- 1 ó 2 tableros de madera de 2" x 4" x 32" (5 cm x 10 cm x 81 cm)

†®TORX es una marca registrada de Saturn Fasteners, Inc.

- Solicite los paneles de fábrica, hágalos a la medida o consulte con un carpintero o fabricante de gabinetes calificado para fabricar los paneles.

Serie Classic: Solicite los paneles de fábrica, hágalos a la medida o consulte con un carpintero o fabricante de gabinetes calificado para fabricar los paneles. Para obtener más información, vea "Requisitos de instalación".

Serie Overlay: Haga los paneles a la medida o consulte con un carpintero o fabricante de gabinetes calificado para fabricarlos. Para obtener más información, vea "Requisitos de instalación".

La serie Architect® se envía completa.

- Si está conectando la línea de agua directamente a una tubería de cobre y no a una válvula de cierre, necesitará una férula, una unión y un accesorio de compresión de 1/4".

### Requisitos de ubicación

El refrigerador puede instalarse en un recinto entre los armarios o al extremo de una línea de armarios utilizando un panel lateral para cercar el refrigerador.

## ⚠ ADVERTENCIA



### Peligro de Explosión

**Mantenga los materiales y vapores inflamables, tales como gasolina, alejados del refrigerador.**

**No seguir esta instrucción puede ocasionar la muerte, explosión, o incendio.**

#### IMPORTANTE:

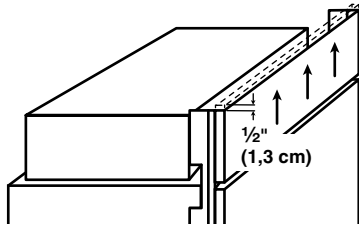
- Observe todos los códigos y reglamentos aplicables.
- No se recomienda instalar el refrigerador cerca de un horno, radiador u otra fuente de calor.
- No instale el refrigerador cerca de una ubicación en la que la temperatura puede bajar de los 55°F (13°C).
- El piso debe soportar el peso del refrigerador, más de 600 lbs (272 kg), los paneles de las puertas y el contenido del refrigerador.
- La altura del techo deberá permitir un arco de vuelco lateral. Vea "Arco de vuelco".
- La ubicación debe permitir que la puerta abra totalmente. Vea "Medidas de oscilación de la puerta".
- La ubicación debe permitir que se quite la rejilla superior. Vea "Medidas de la abertura".

#### Medidas de la abertura

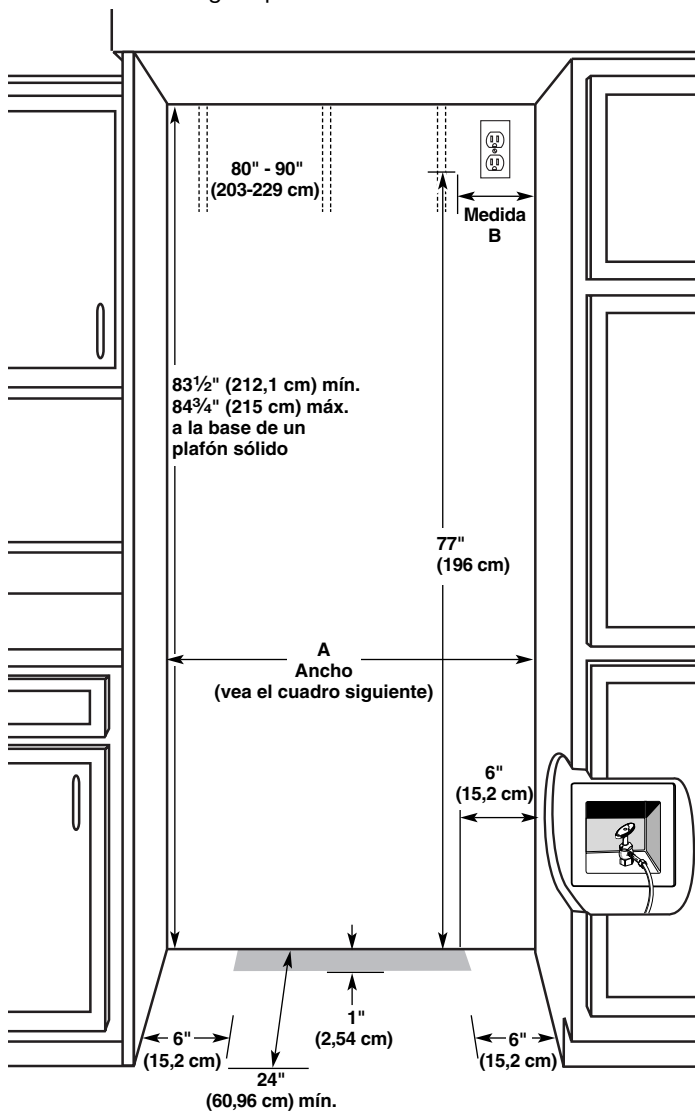
- Para evitar la inclinación durante el uso, el plafón sólido deberá estar a 1" (2,5 cm) como máximo por encima del refrigerador. Si el plafón sólido está a una altura de más de 1" (2,5 cm) o no hay ninguno disponible, entonces el refrigerador deberá tener un soporte.

Si se necesitan los tableros antivuelco, se deben fijar a los pies derechos de la pared posterior de 80" a 90" (203 a 229 cm) arriba del piso. Vea "Cómo instalar los tableros antivuelco" para recibir más información.

**NOTA:** Se debe mantener un espacio de 1/2" (1,3 cm) frente al adorno lateral del refrigerador para que la rejilla superior pueda ser retirada.



- Un contacto de tres terminales con conexión a tierra debe ser ubicado a no más de 4" (10,2 cm) a la derecha de los gabinetes laterales o del panel del extremo. Vea "Requisitos eléctricos" para obtener información adicional.
- El cierre del agua deberá estar localizado en la base del gabinete, a cualquier lado del refrigerador o en algún otro lugar de fácil acceso. Si la válvula de cierre del agua no está en los gabinetes, la tubería para la línea del agua puede llegar a través del piso o de la pared trasera. Vea "Requisitos del suministro de agua" para obtener información adicional.



Modelo	Ancho A (como se muestra anteriormente)	Medida B (como se muestra anteriormente)
36	35 1/2" (90,2 cm)	4" (1,2 cm)
42	41 1/2" (105,4 cm)	10" (25,4 cm)

**NOTA:** El piso que está debajo del refrigerador deberá estar al mismo nivel que la habitación.

## Requisitos eléctricos

### ⚠ ADVERTENCIA



#### Peligro de Choque Eléctrico

**Conecte a un contacto de pared de conexión a tierra de 3 terminales.**

**No quite la terminal de conexión a tierra.**

**No use un adaptador.**

**No use un cable eléctrico de extensión.**

**No seguir estas instrucciones puede ocasionar la muerte, incendio o choque eléctrico.**

Antes de mover el refrigerador a su posición definitiva, es importante asegurarse que Ud. tiene la conexión eléctrica adecuada.

#### Método de conexión a tierra recomendado

Se requiere una fuente de energía eléctrica de 115 Voltios, 60 Hz., CA solamente y con fusibles de 15 ó 20 amp, debidamente conectada a tierra. Se recomienda que se use un circuito separado sólo para su refrigerador. Use un tomacorriente que no se puede apagar con un interruptor. No use un cable eléctrico de extensión.

**IMPORTANTE:** Si este producto está conectado a un tomacorriente protegido por un interruptor del circuito de falla eléctrica de puesta a tierra (GFCI - Ground Fault Circuit Interrupter), puede ocurrir un disparo brusco del suministro de corriente, lo que resultará en una pérdida de enfriamiento. Esto puede afectar la calidad y el sabor de los alimentos. Si ha ocurrido un disparo brusco, y el alimento aparenta estar en malas condiciones, deshágase del mismo.

**NOTA:** Antes de realizar cualquier tipo de instalación, limpieza o quitar un foco, quite la rejilla superior y ponga el interruptor principal de energía en la posición OFF (Apagado) o desconecte el suministro de energía eléctrica en la caja de disyuntores.

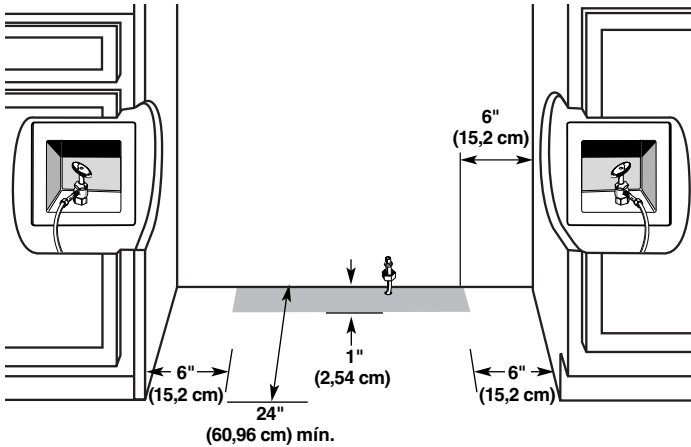
Cuando haya terminado, ENCIENDA el interruptor principal de energía o reconecte el suministro de energía en la caja de disyuntores. Luego vuelva a ajustar el control en la posición deseada.



## Requisitos del suministro de agua

- Todas las instalaciones deben hacerse de acuerdo a los requerimientos locales de plomería.
- El cierre del agua deberá estar localizado en el armario base, a cualquier lado del refrigerador o en algún otro lugar de fácil acceso. Se recomienda el lado derecho. El orificio de acceso a través del armario deberá estar a ½" (12,7 mm) de la pared trasera como máximo.

**NOTA:** Si la válvula de cierre de agua está en la pared posterior detrás del refrigerador, deberá haber un ángulo de manera que el tubo no se doble cuando se empuje el refrigerador hacia su posición final.



- Si la válvula de cierre del agua no está en los armarios, la tubería para la línea del agua puede llegar a través del piso. Deberá taladrarse un orificio de ½" (12,7 mm) para la plomería a por lo menos 6" (15,2 cm) del panel o armario del lado derecho o izquierdo. En el piso, el orificio no debe estar a más de 1" (2,54 cm) de la pared trasera. Vea "Conecte el suministro de agua".
- Si necesita tubería adicional, use tuberías de cobre y revise si hay fugas. Instale la tubería de cobre sólo en áreas donde la temperatura vaya a permanecer por encima del punto de congelación.
- No use una válvula perforadora o una válvula de montura de ⅜" (4,76 mm) que reduce el flujo de agua y se obstruye con más facilidad.

**NOTA:** El distribuidor de su refrigerador tiene disponible un juego con una válvula de cierre tipo montura de ¼" (6,35 mm), una unión y tubería de cobre. Antes de comprar, asegúrese que la válvula tipo montura cumpla con los códigos de plomería de su localidad.

## Presión del agua

Se necesita un suministro de agua fría con presión de agua entre 30 y 120 lbs/pulg<sup>2</sup> (207 y 827 kPa) para hacer funcionar el despachador de agua y la fábrica de hielo. Si usted tiene preguntas acerca de la presión de agua, llame a un plomero competente autorizado.

### Suministro de agua de ósmosis inversa

**IMPORTANTE:** La presión del suministro de agua que sale de un sistema de ósmosis inversa y va a la válvula de entrada de agua del refrigerador necesitará ser entre 30 y 120 lbs/pulg<sup>2</sup> (207 y 827 kPa).

Si se conecta un sistema de filtración de agua de ósmosis inversa al suministro de agua fría, la presión de agua al sistema de ósmosis inversa necesitará ser de un mínimo de 40 a 60 lbs/pulg<sup>2</sup> (276 a 414 kPa).

Si la presión del agua al sistema de ósmosis inversa es menor de 40 a 60 lbs/pulg<sup>2</sup> (276 a 414 kPa):

- Fíjese si el filtro de sedimentos en el sistema de ósmosis inversa está bloqueado y reemplácelo si fuera necesario.
- Deje que se vuelva a llenar el tanque de almacenaje del sistema de ósmosis inversa después del uso intenso.
- Si su refrigerador tiene un cartucho del filtro de agua, se podrá reducir la presión aún más si se usa en conjunto con un sistema de ósmosis inversa. Quite el cartucho del filtro de agua.

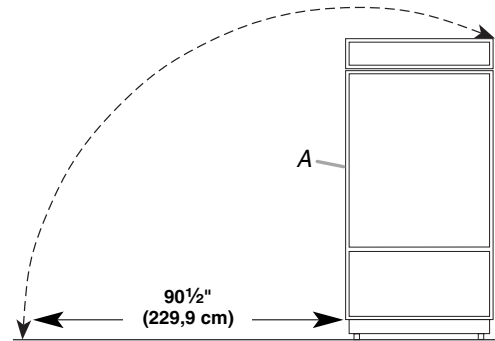
Si tiene preguntas acerca de la presión del agua, llame a un plomero competente autorizado.

## Arco de vuelco

Asegúrese de que el techo sea lo suficientemente alto para colocar el refrigerador en posición vertical cuando se mueva a su lugar.

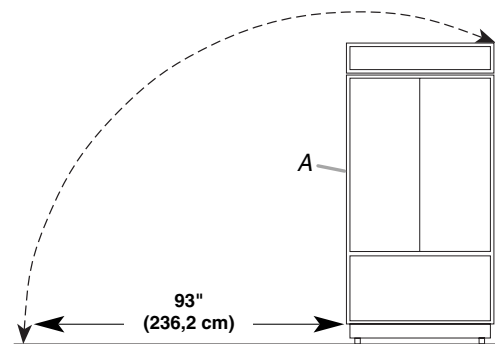
- Si se utiliza una plataforma rodante, se debe agregar la altura de sus ruedas al arco de vuelco.
- Si es necesario, se puede reducir el arco de vuelco. Vea "Cómo reducir el arco de vuelco".

### Arco de vuelco lateral (modelos de 36" [91,4 cm])



A. Incline solamente este lado.

### Arco de vuelco lateral (modelos de 42" [106,7 cm])

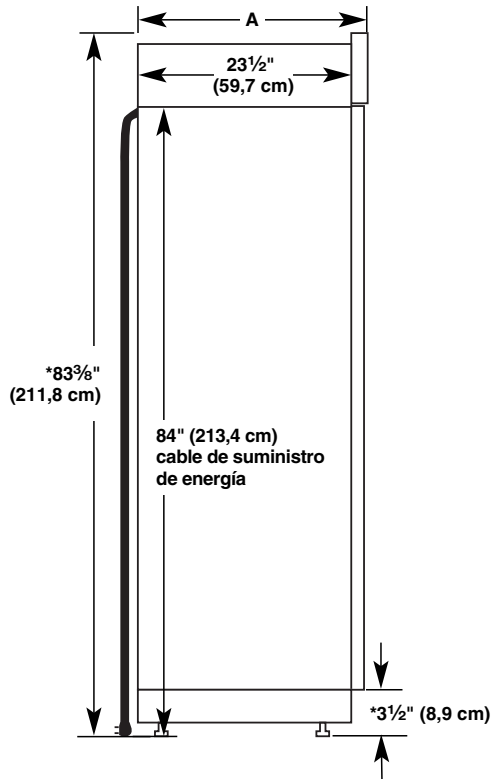


A. Incline solamente este lado.

## Medidas del producto

### Vista lateral

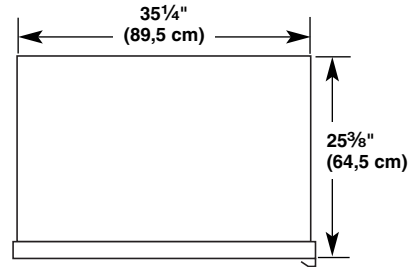
- La profundidad del frente de la rejilla superior a la parte posterior de la carcasa del refrigerador es de  $25\frac{3}{8}$ " (64,5 cm).
- El cable de suministro de energía es de 84" (213 cm) de largo.
- La línea de agua ajustada a la parte posterior del refrigerador es de 5 pies (1,5 m) de largo. Las medidas de altura indicadas consideran las patas niveladoras extendidas  $\frac{1}{8}$ " (3 mm) por debajo de los rodillos.



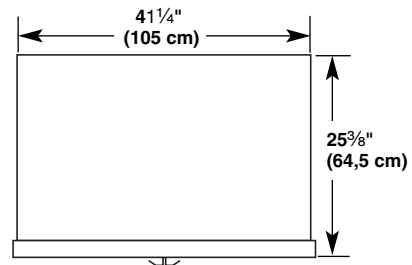
\*Si las patas niveladoras están totalmente extendidas  $1\frac{1}{4}$ " (3,2 cm) por debajo de los rodillos, agregue  $1\frac{1}{8}$ " (2,9 cm) a las medidas de altura.

### Vista superior

#### Modelos de 36" (91,4 cm)



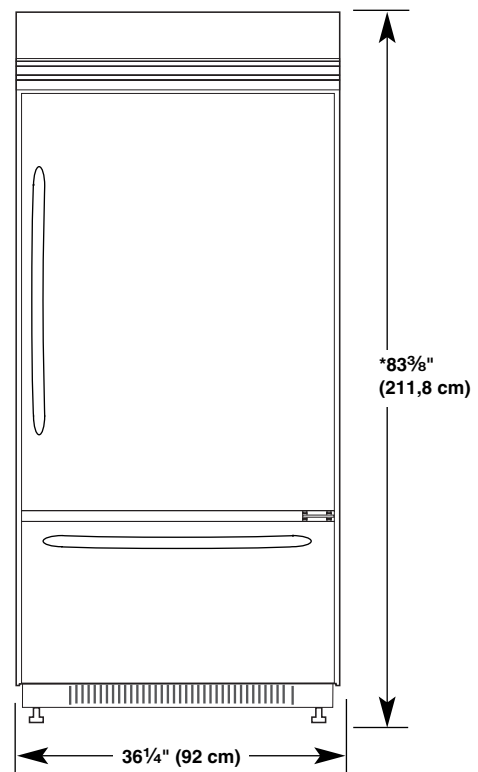
#### Modelos de 42" (106,7 cm)



### Vista frontal

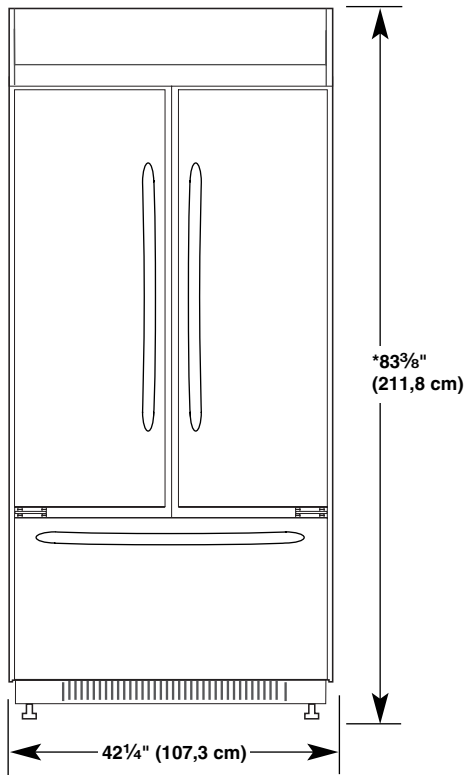
- Las medidas de anchura fueron tomadas de un extremo del adorno al otro extremo del mismo.
- Las medidas de altura indicadas consideran las patas niveladoras extendidas  $\frac{1}{8}$ " (3 mm) por debajo de los rodillos.

#### Modelos de 36" (91,4 cm)



\*Si las patas niveladoras están totalmente extendidas  $1\frac{1}{4}$ " (3,2 cm) por debajo de los rodillos, agregue  $1\frac{1}{8}$ " (2,9 cm) a las medidas de altura.

## Modelos de 42" (106,7 cm)



\*Si las patas niveladoras están totalmente extendidas  $1\frac{1}{4}$ " (3,2 cm) por debajo de los rodillos, agregue  $1\frac{1}{8}$ " (2,9 cm) a las medidas de altura.

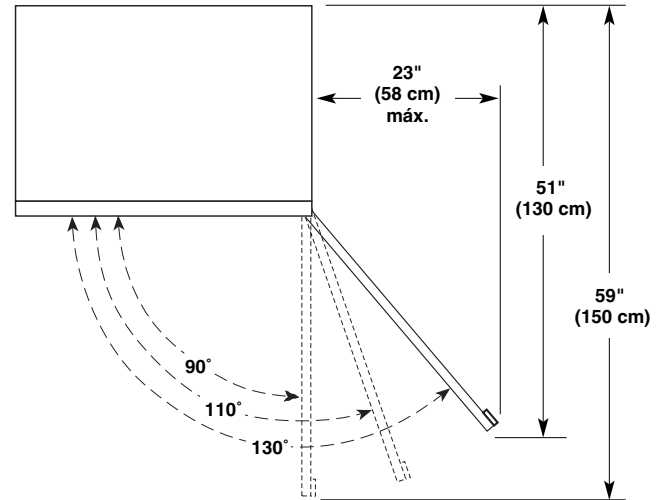
## Medidas de oscilación de la puerta

La ubicación debe permitir que la puerta se abra a un mínimo de  $90^\circ$ . Deje un espacio mínimo de  $4\frac{1}{2}$ " (11,4 cm) entre el lado del refrigerador y una pared de la esquina.

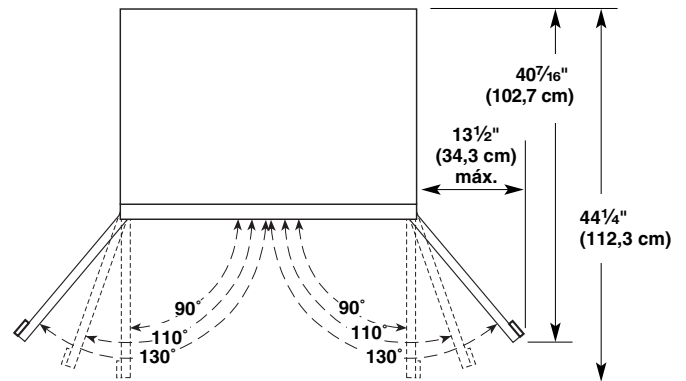
**NOTA:** Puede ser que se requieran más espacios libres si está usando paneles recubiertos o agarraderas a la medida.

Para ajustar la oscilación de la puerta, vea "Cómo ajustar la oscilación de las puertas".

## Modelos de 36" (91,4 cm)

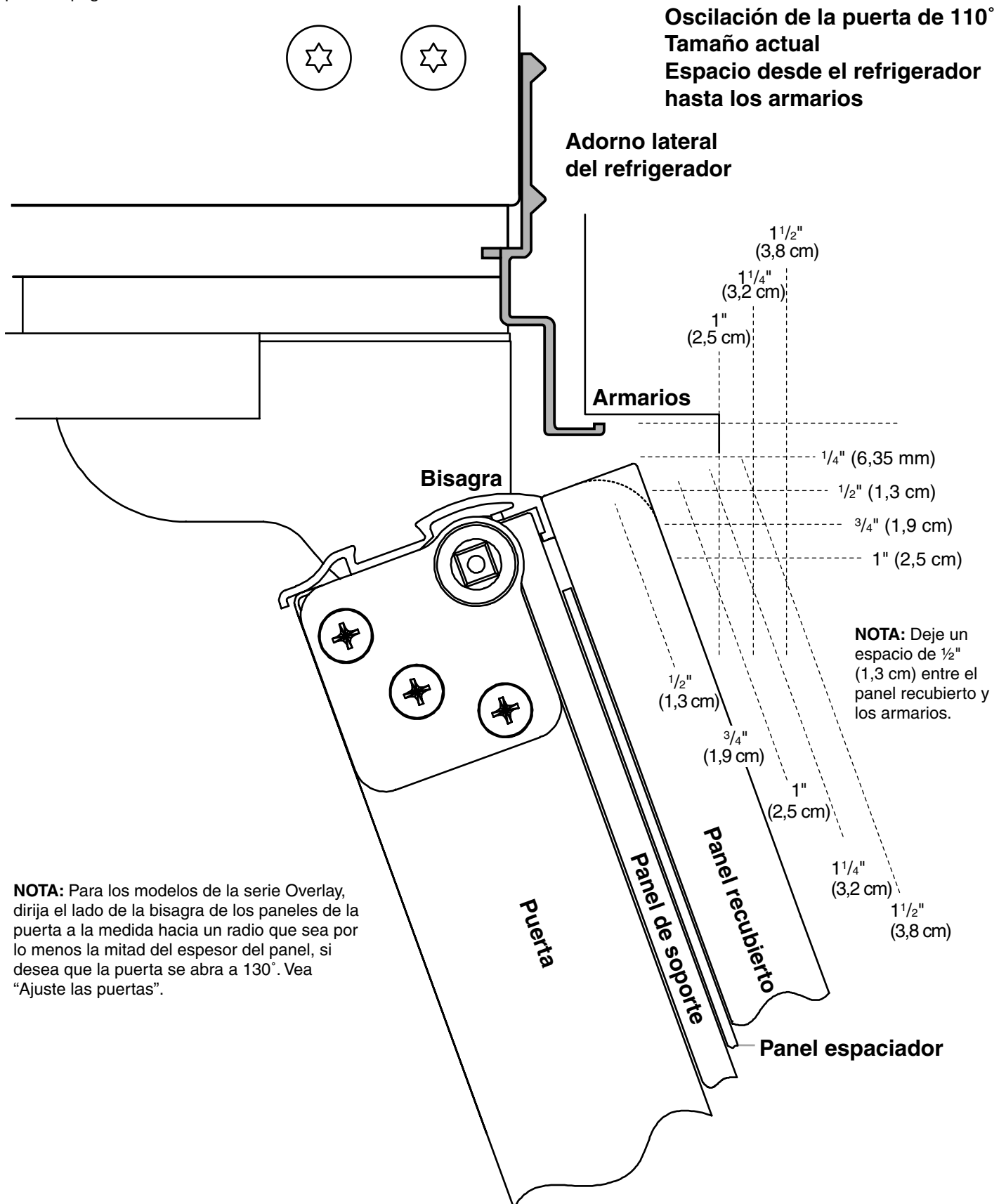


## Modelos de 42" (106,7 cm)



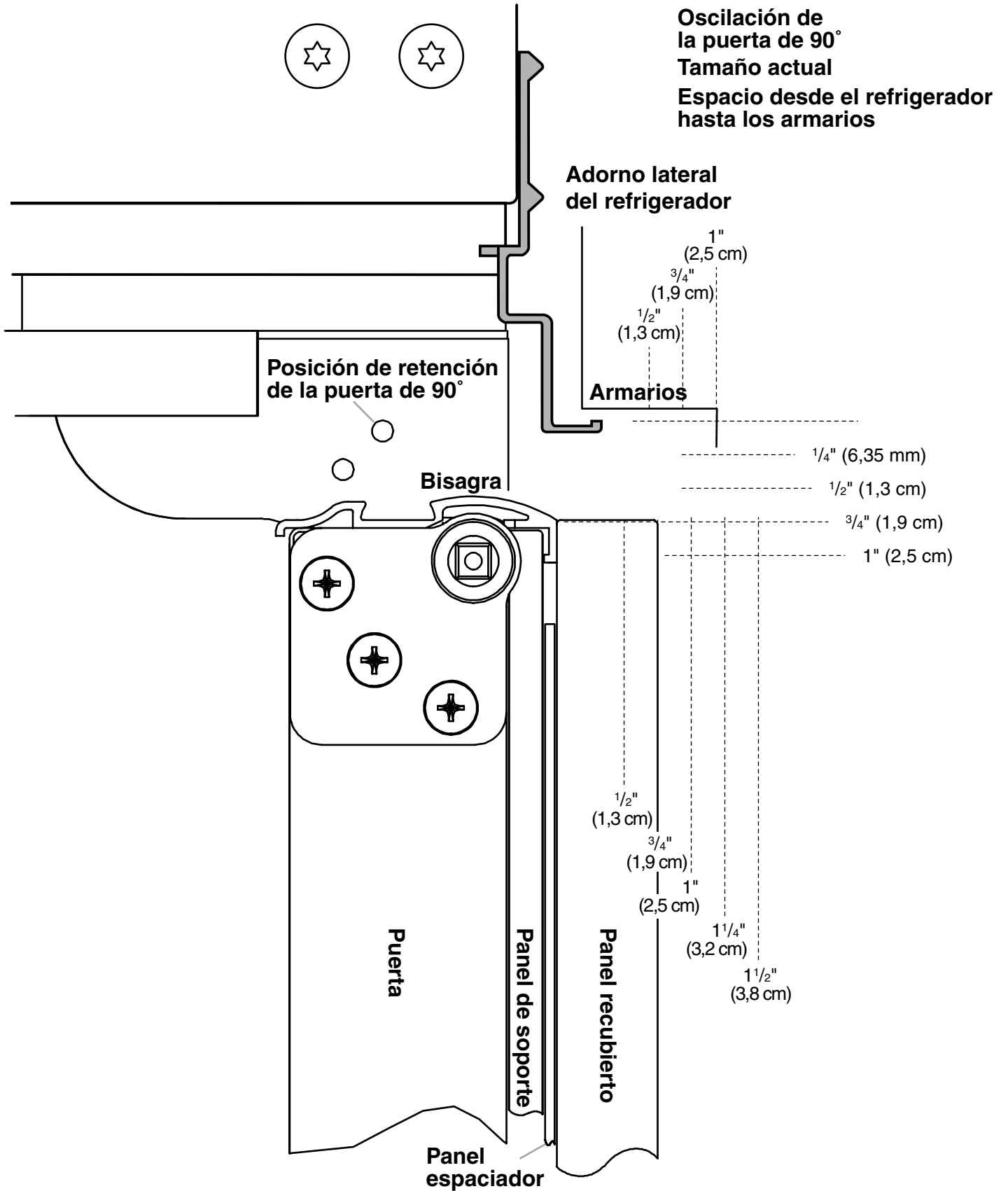
## Espacio para el panel de la puerta de la serie Overlay y para los gabinetes (modelos de 36" [91,4 cm])

Los paneles de la puerta a la medida y los gabinetes adyacentes deben estar diseñados de modo tal de que haya suficiente espacio para que las puertas se puedan abrir. Si el refrigerador se va a instalar cerca de la pared, vea "Oscilación de la puerta de 90°" en la próxima página.



**NOTA:** Para los modelos de la serie Overlay, dirija el lado de la bisagra de los paneles de la puerta a la medida hacia un radio que sea por lo menos la mitad del espesor del panel, si desea que la puerta se abra a 130°. Vea "Ajuste las puertas".

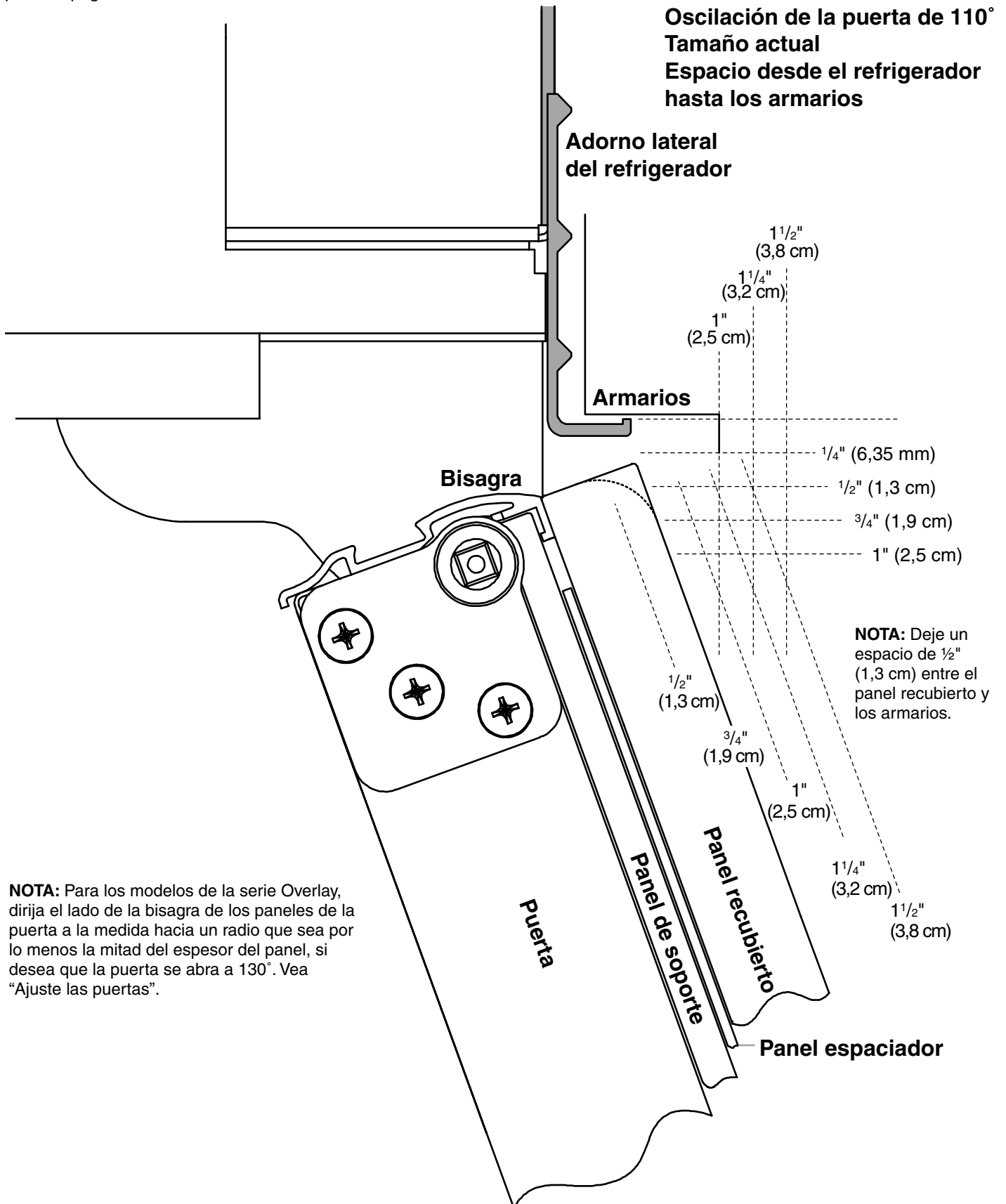
Cuando las puertas están cerradas, el refrigerador se extenderá en alguna medida más allá de la parte frontal del gabinete.



Deje un espacio mínimo de 4 1/2" (11,4 cm) entre el lado del refrigerador y la esquina de la pared. Es posible que sea necesario contar con mayor espacio si se utilizan paneles a la medida más gruesos o agarraderas a la medida. No deje de prestar atención a los zócalos.

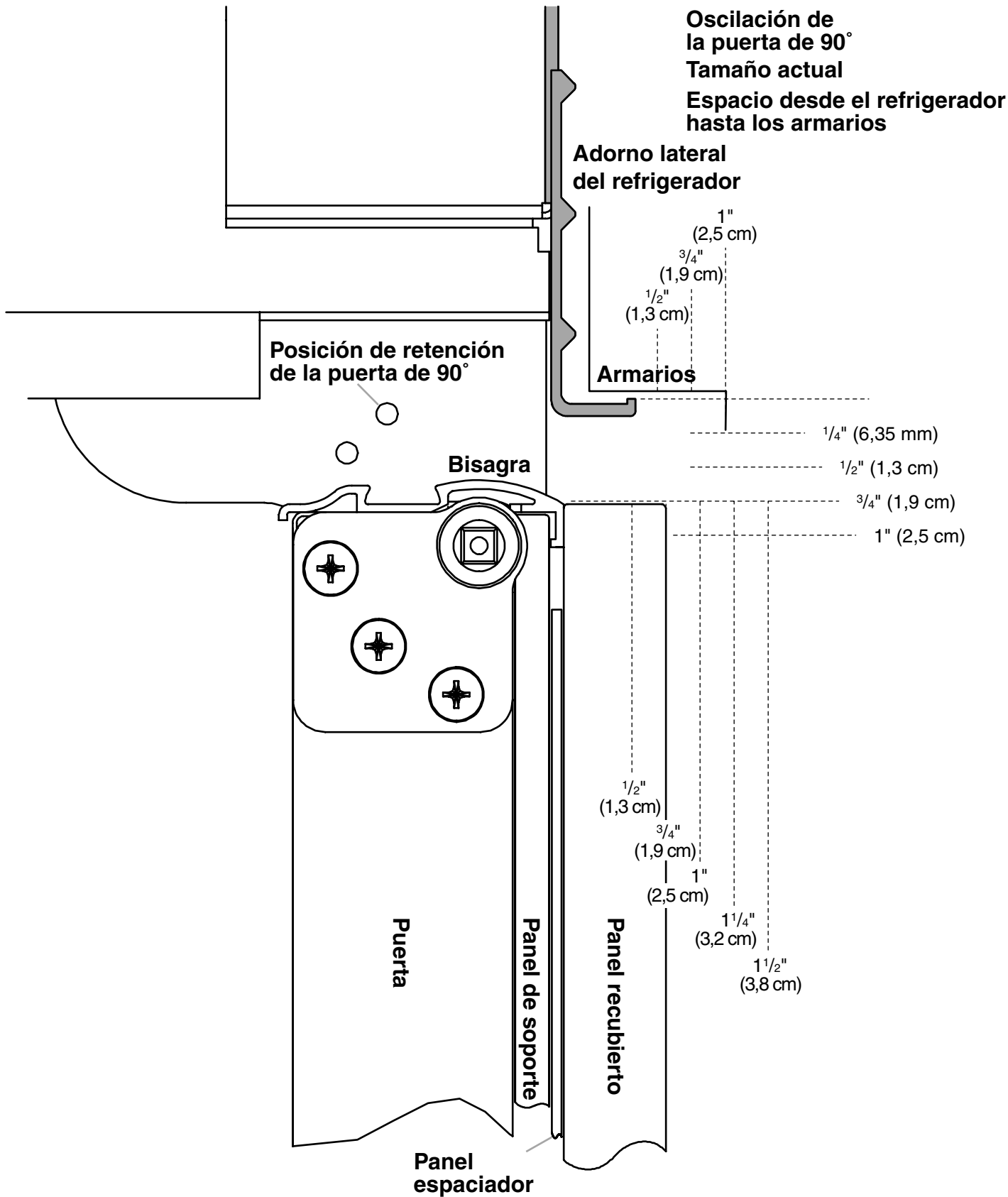
## Espacio para el panel de la puerta de la serie Overlay y para los gabinetes (modelos de 42" [106,7 cm])

Los paneles de la puerta a la medida y los gabinetes adyacentes deben estar diseñados de modo tal de que haya suficiente espacio para que las puertas se puedan abrir. Si el refrigerador se va a instalar cerca de la pared, vea "Oscilación de la puerta de 90°" en la próxima página.



**NOTA:** Para los modelos de la serie Overlay, dirija el lado de la bisagra de los paneles de la puerta a la medida hacia un radio que sea por lo menos la mitad del espesor del panel, si desea que la puerta se abra a 130°. Vea "Ajuste las puertas".

Cuando las puertas están cerradas, el refrigerador se extenderá en alguna medida más allá de la parte frontal del gabinete.

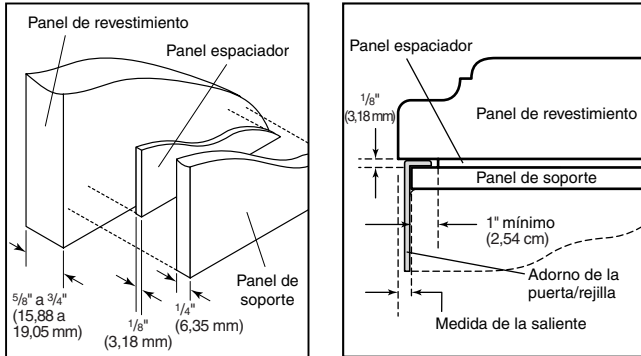


Deje un espacio mínimo de 4 1/2" (11,4 cm) entre el lado del refrigerador y la esquina de la pared. Es posible que sea necesario contar con mayor espacio si se utilizan paneles a la medida más gruesos o agarraderas a la medida. No deje de prestar atención a los zócalos.

## Paneles a la medida de la Serie Overlay

Los paneles a la medida recubiertos le permiten combinar el exterior de su refrigerador con toda la decoración de la cocina y usar las agarraderas a la medida para mayor flexibilidad en el diseño.

Los paneles a la medida deben tener paneles de soporte para montarlos en el refrigerador. Lo más común es trabajar con tres paneles, como se muestra en el siguiente gráfico: un panel decorativo recubierto, un panel espaciador de 1/8" (3,18 mm) o franjas espaciadoras y un panel de soporte de 1/4" (6,35 mm).



En algunos casos, el fabricante de gabinetes puede elegir trabajar con un panel trazado para las diferentes medidas. Siga estas instrucciones para las medidas del panel y la ubicación para asegurarse de que los paneles recubiertos a la medida encajarán adecuadamente.

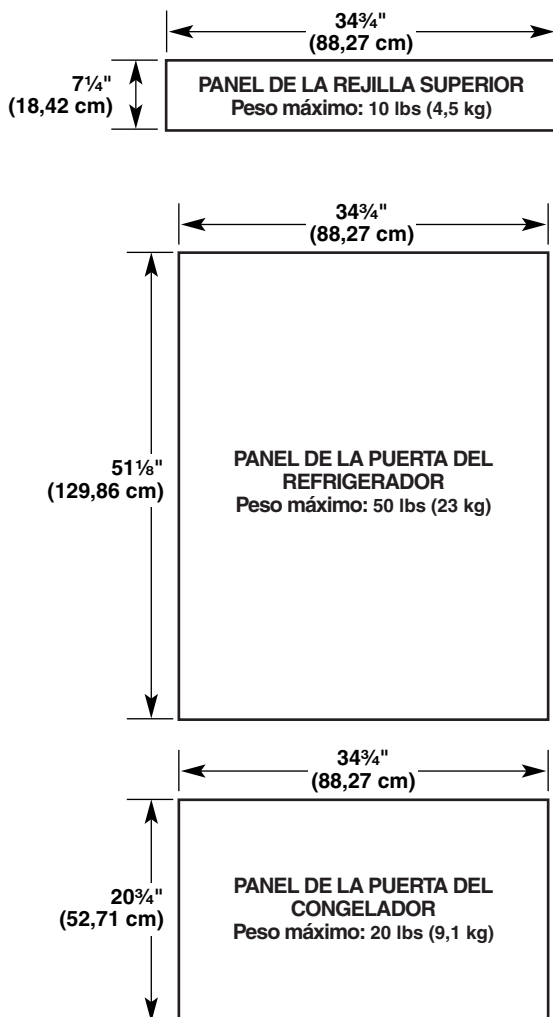
### IMPORTANTE:

- Para los modelos de 36" (91,4 cm), el peso del panel recubierto de la puerta del refrigerador no puede ser mayor de 50 lb (23 kg) y el peso del panel recubierto del cajón del congelador no puede ser mayor de 20 lb (9,1 kg).
- Para los modelos de 42" (106,7 cm), el peso del panel recubierto de la puerta del refrigerador no puede ser mayor de 30 lb (13,5 kg) y el peso del panel recubierto del cajón del congelador no puede ser mayor de 25 lb (11,4 kg).
- El peso del panel recubierto de la rejilla superior no puede ser mayor de 10 lb (4,5 kg) para ambos modelos.

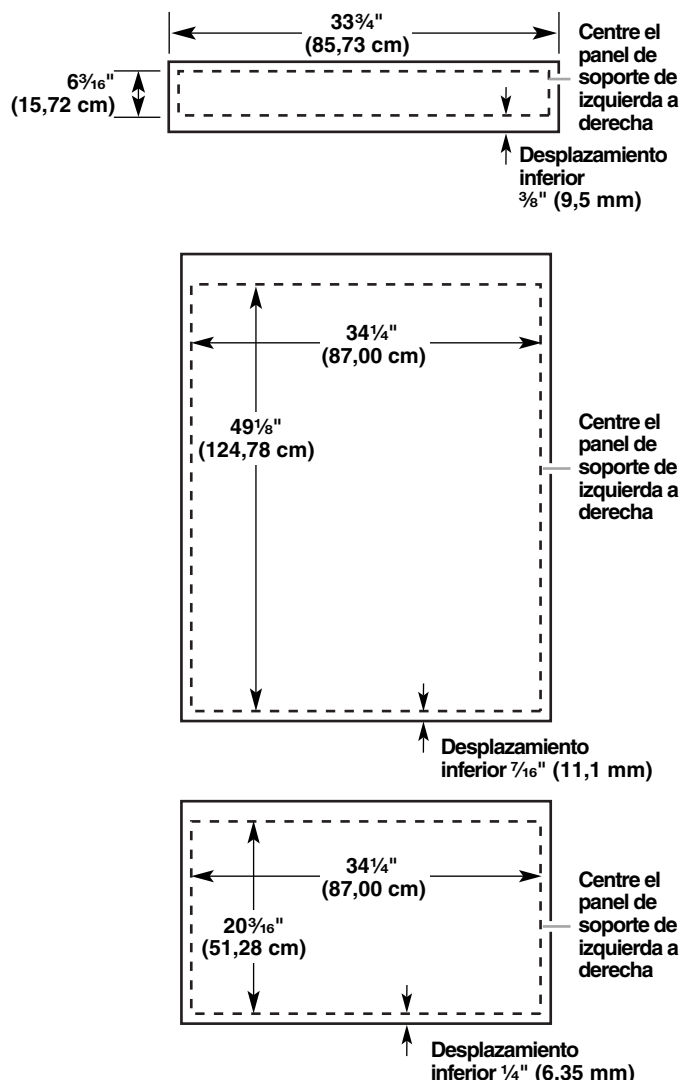
Para minimizar el peso del panel, puede usar franjas espaciadoras de 2" (5,08 cm) alrededor del perímetro en lugar de paneles espaciadores de hoja plena macizos. Las franjas espaciadoras deben fijarse a una distancia de al menos 1" (2,54 cm) de los extremos superior, inferior y lateral del panel de soporte. Si usa franjas espaciadoras, se recomienda que use 2 franjas de 2" (5,08 cm) centradas horizontalmente para soporte adicional.

## Dimensiones del panel recubierto a la medida

### Paneles recubiertos a la medida (modelos de 36" [91,4 cm])

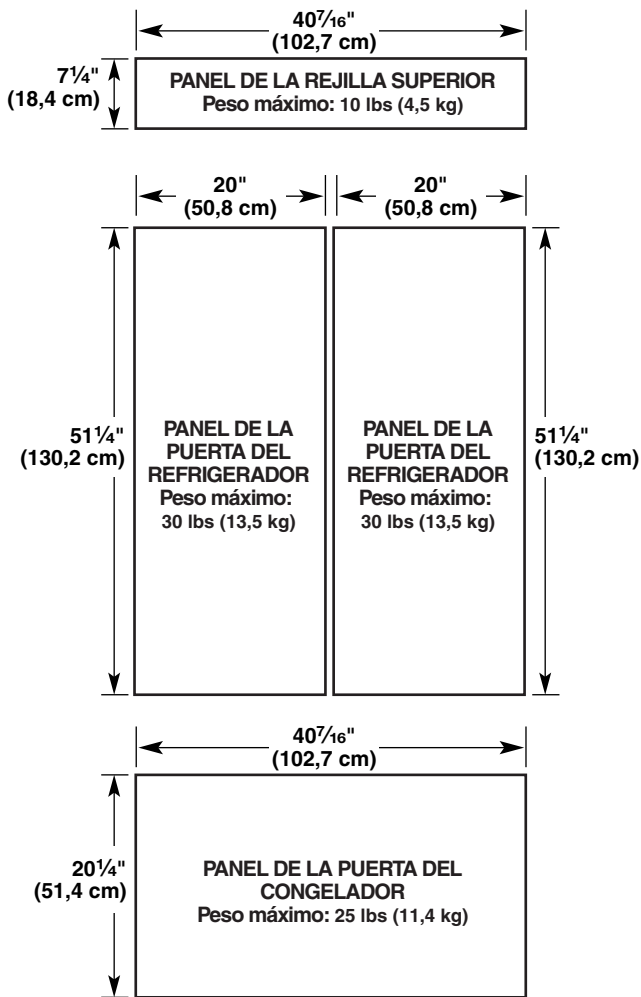


### Paneles de soporte a la medida (modelos de 36" [91,4 cm])

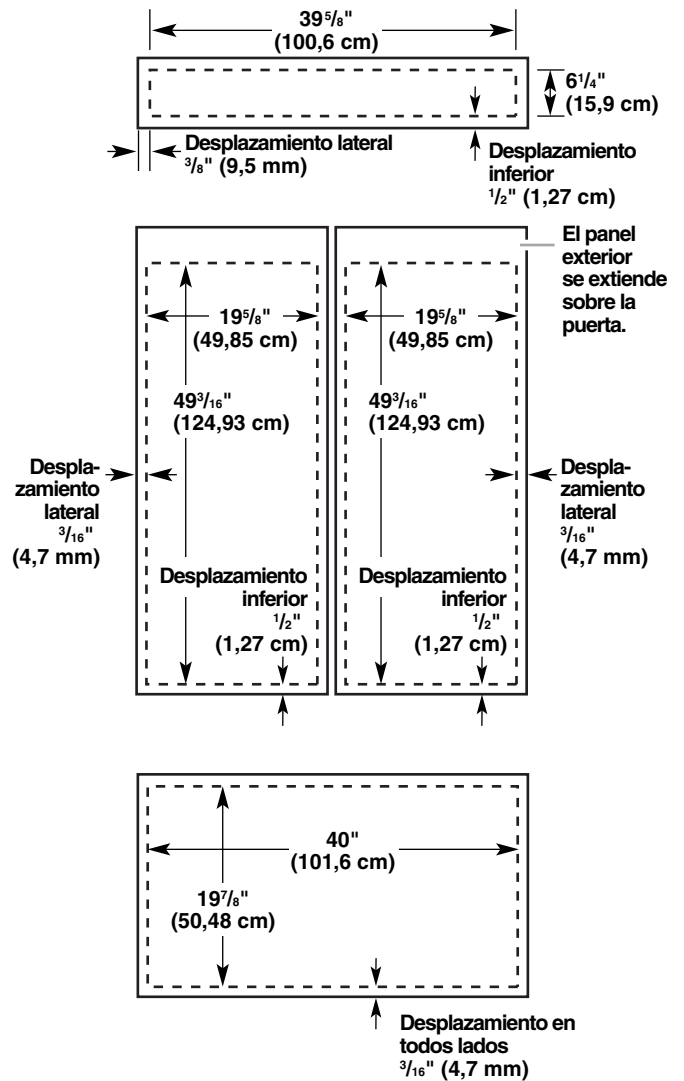




**Paneles recubiertos a la medida (modelos de 42" [106,7 cm])**



**Paneles de soporte a la medida (modelos de 42" [106,7 cm])**



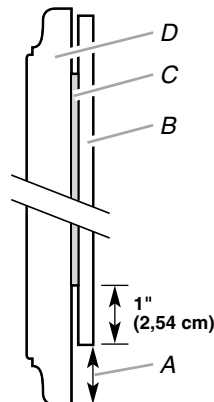
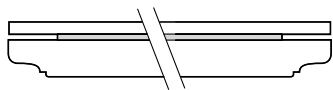
**Paneles espaciadores (todos los modelos)**

**NOTA:** Los paneles espaciadores deben estar a una distancia de al menos 1" (2,54 cm) desde la parte superior, inferior y extremos laterales del panel de soporte.

**Configuración del panel recubierto con rejilla de 3 piezas**

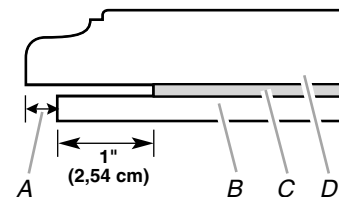
Vista superior

Vista lateral



- A. Dimensiones de compensación
- B. Panel de soporte de  $\frac{1}{4}$ " (6,25 mm)
- C. Panel espaciador de  $\frac{1}{8}$ " (3,18 mm)
- D. Panel decorativo recubierto de  $\frac{3}{4}$ " (1,92 cm)

**Configuración del panel recubierto con puerta de 3 piezas**



- A. Dimensiones de compensación
- B. Panel de soporte de  $\frac{1}{4}$ " (6,25 mm)
- C. Panel espaciador de  $\frac{1}{8}$ " (3,18 mm)
- D. Panel decorativo recubierto de  $\frac{3}{4}$ " (1,92 cm)

**Configuración del panel recubierto con puerta de 1 pieza**

En algunos casos, su fabricante de gabinetes puede elegir trabajar con un panel trazado para las diferentes medidas. Siga estas medidas de panel e instrucciones de instalación para asegurarse de que los paneles a la medida recubiertos encajarán adecuadamente.

## Paneles y juegos de fábrica para las Series Classic, Architect® y Overlay (modelos de 36" [91,4 cm])

Todas las piezas de fábrica están disponibles con su distribuidor KitchenAid o llamando a KitchenAid Parts and Accessories (Refacciones y accesorios KitchenAid) al **1-800-442-9991**. En Canadá, llame al **1-800-807-6777**.

### Juego de paneles para rejilla superior de 72" (183 cm) para las Serie Architect®

Hay disponible un juego de paneles para rejilla superior de 72" (183 cm) de ancho. Este juego permite que se instalen 2 unidades (una que abra a la izquierda y otra que abra a la derecha) lado a lado, con una sola rejilla.

<b>Color</b>	<b>72" (183 cm)</b>
Acero inoxidable (Serie Architect®)	#W10153554

### Juegos de extensión de agarraderas de la puerta

Use las agarraderas de extensión de la puerta si necesita más espacio para los dedos entre las agarraderas de las puertas y el panel a la medida. Siga las instrucciones del juego para la instalación de las agarraderas de las puertas.

Color	Abre a la izquierda	Abre a la derecha
Blanco (Serie Classic)	#4396119	#8171424
Negro (Serie Classic)	#4396116	#8171427
Acero inoxidable (Serie Classic)	#4396118	#8171425
Aluminio mate grabado (Serie Classic)	#4396120	#8171423
Aluminio mate (Serie Overlay)	#4396718	

## Paneles a la medida para la Serie Classic (modelos de 36" [91,4 cm])

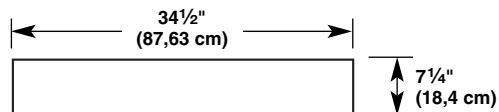
Si va a instalar paneles de madera a la medida, deberá hacerlos usted mismo o consultar un carpintero o fabricante de gabinetes calificado. Para obtener información acerca de las especificaciones de los paneles, vea los gráficos dimensionales.

**IMPORTANTE:** Los paneles que pesan más de lo recomendado pueden dañar a su refrigerador.

**NOTA:** Las medidas que se muestran tienen una tolerancia de  $(\pm) \frac{1}{16}$ " (1,5 mm). Los paneles de más de  $\frac{1}{4}$ " (6,35 mm) de grosor deberán contornearse. Si los paneles tienen menos de  $\frac{1}{4}$ " (6,35 mm) de grosor, instale un panel de relleno entre la puerta y el panel decorativo.

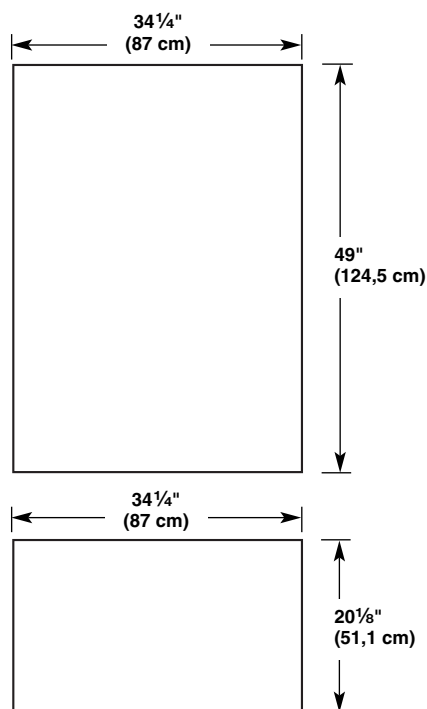
### Panel de la rejilla superior

El panel superior no deberá pesar más de 10 lbs (4,5 kg).



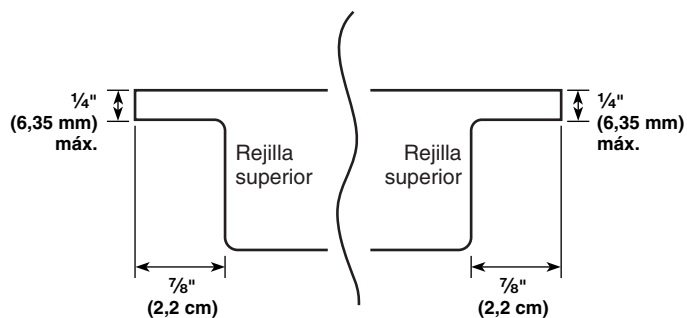
## Paneles del refrigerador y del congelador

El panel del congelador no deberá pesar más de 20 lbs (9,1 kg). El panel del refrigerador no deberá pesar más de 50 lbs (22 kg).

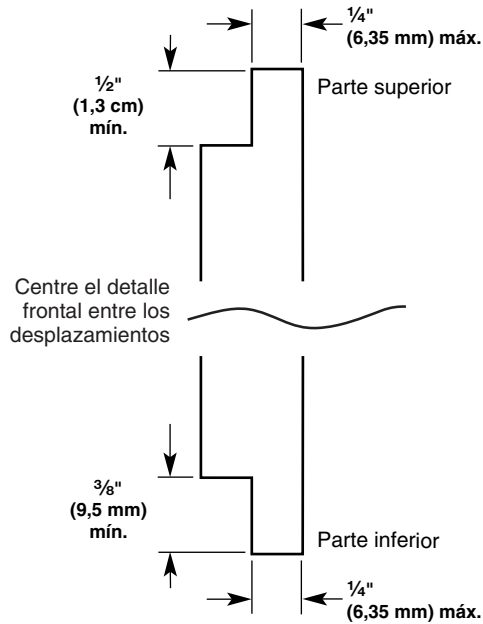


### Requisitos de contorneado del panel de la rejilla superior

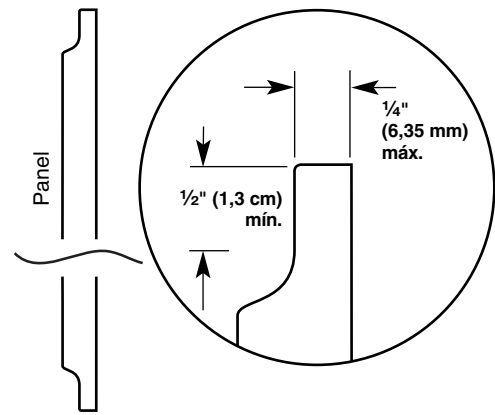
Si los paneles a la medida son más gruesos de  $\frac{1}{4}$ " (6,35 mm), los extremos superior e inferior del panel superior deberían estar redondeados  $\frac{1}{2}$ " (1,27 cm) y  $\frac{3}{8}$ " (9,5 mm), respectivamente. Los dos extremos deberán ser contorneados a  $\frac{7}{8}$ " (2,2 cm) tal como se muestra.



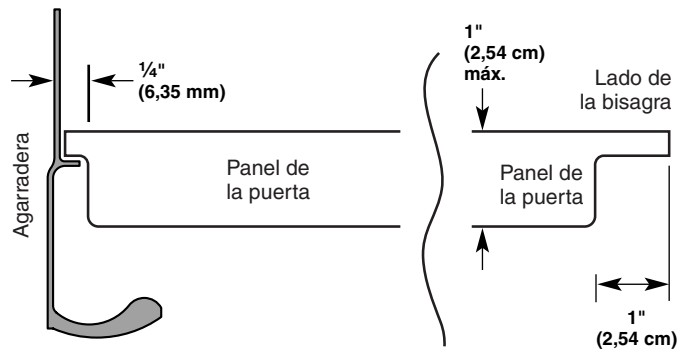
**NOTA:** Cuando cree un panel con detalles frontales, las compensaciones estarán escondidas y se deberán tomar en cuenta para poder centrar el detalle en la rejilla superior.



### Panel de la puerta - Vista lateral



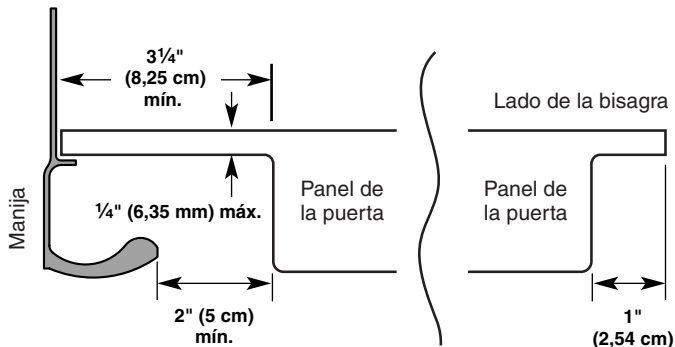
### Agarradera extendida - Vista superior



### Requisitos de contorneado de los paneles de la puerta

Si los paneles a la medida son más gruesos de 1/4" (6,35 mm), todos los bordes de los paneles deben estar contorneados. Si se usa la agarradera estándar, contornee todo el lado de la agarradera de los dos paneles 3 1/4" (8,25 cm) para permitirle espacio a los dedos. Luego contornee el lado de la bisagra del panel del refrigerador 1" (2,54 cm). Contornee ambos lados del panel del congelador 1" (2,54 cm).

### Agarradera común - Vista superior



Si se utiliza un juego de agarradera extendida, contornee el lado de la agarradera 1/4" (6,35 mm). Todas las otras medidas de contorneado deberían ser las mismas que las de la agarradera estándar. Asegúrese de que la ubicación del producto permita que las agarraderas extendidas se abran a 90 grados. Vea "Medidas de oscilación de las puertas".

Vea la sección "Paneles y juegos de fábrica de la serie Classic" para obtener más información sobre cómo pedir agarraderas extendidas.

**NOTA:** Para ambos tipos de agarraderas, contornee los bordes superior e inferior del panel del refrigerador 1/2" (1,27 cm). Contornee la parte inferior del panel del congelador 1/2" (1,27 cm).

## Paneles laterales a la medida para las Series Classic y Architect®

Los paneles laterales a la medida pueden ser necesarios cuando no hay suficiente espacio disponible para tener armarios en los dos lados del refrigerador o cuando el refrigerador se coloca al final de una línea de armarios. Usted puede elegir una instalación de paneles empotrados, al ras o en relieve.

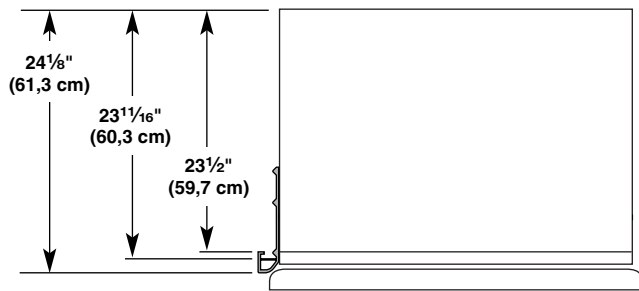
### Medidas del refrigerador y del adorno lateral

El ancho y la altura del panel lateral están determinados por el tipo de instalación que usted planifique.

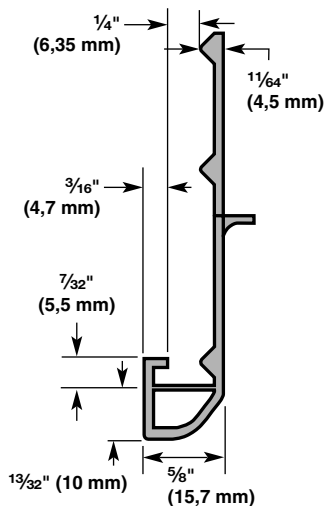
#### NOTAS:

- Las dimensiones que se muestran son las dimensiones exactas del producto y puede que no reflejen las dimensiones necesarias de la instalación del panel.
- El panel lateral deberá tener un grosor mínimo de 1/2" (1,27 cm) para impedir pandeos.
- Si la profundidad de la abertura es de 25" (63,5 cm) o mayor, tal vez quiera instalar una tabla de soporte en la pared posterior.

## Refrigerador

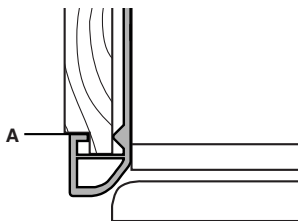


## Adorno lateral



### Medidas para la instalación empotrada

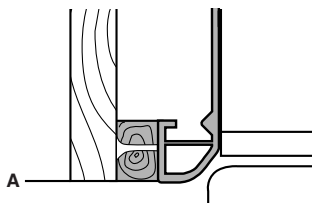
1. Mida la distancia del punto A (como se muestra) a la pared posterior. Agregue  $\frac{7}{32}$ " (5,6 mm) a esta medida para que el panel lateral se ajuste dentro del adorno.



2. Si el panel tiene más de  $\frac{1}{4}$ " (6,35 mm) de grosor, contornee el borde delantero del panel para permitir que el panel lateral encaje en el adorno.

### Medidas para la instalación al ras

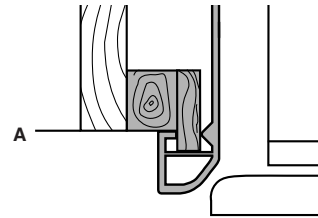
1. Mida la distancia del punto A (como se muestra) a la pared posterior.



2. Afiance el tablero de soporte con un tornillo o pegamento que sea compatible con aluminio y madera.

### Medidas para la instalación en relieve

1. Mida la distancia del punto A (como se muestra) a la pared posterior.



2. Contornee el borde delantero del tablero de soporte o afiance un tablero de  $\frac{1}{4}$ " (6,35 mm) para fijar el panel en el adorno lateral del armario.

## Paneles laterales a la medida para la Serie Overlay

Los paneles laterales a la medida pueden ser necesarios cuando no hay suficiente espacio disponible para tener armarios en los dos lados del refrigerador o cuando el refrigerador se coloca al final de una tira de armarios. Usted puede elegir una instalación de paneles, empotrados o en relieve empotrados.

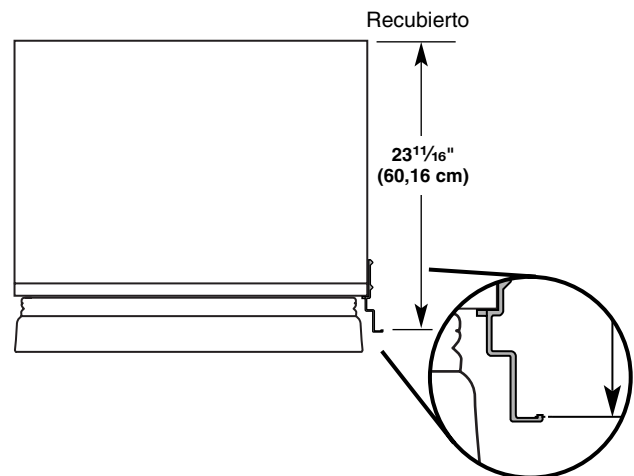
### Medidas del refrigerador y del adorno lateral

El ancho y la altura de un panel lateral están determinados por el tipo de instalación que usted planifique.

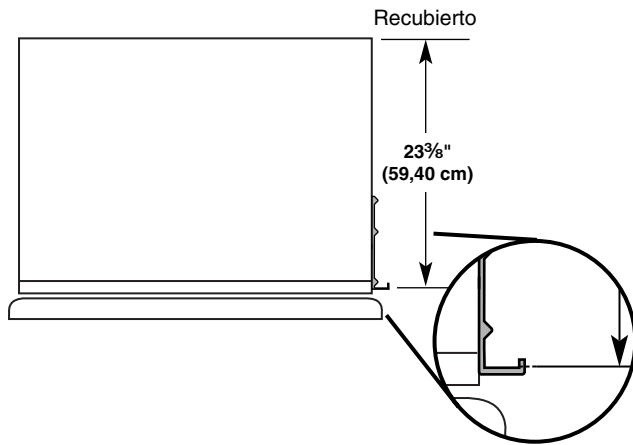
#### NOTAS:

- Las medidas que se muestran son las medidas exactas del producto y puede que no reflejen las dimensiones necesarias de la instalación.
- El panel lateral deberá tener un grosor mínimo de  $\frac{1}{2}$ " (1,27 cm) para impedir pandeos.
- Si la profundidad de la abertura es de 25" (63,5 cm) o mayor, tal vez quiera instalar una tabla de soporte en la pared posterior.

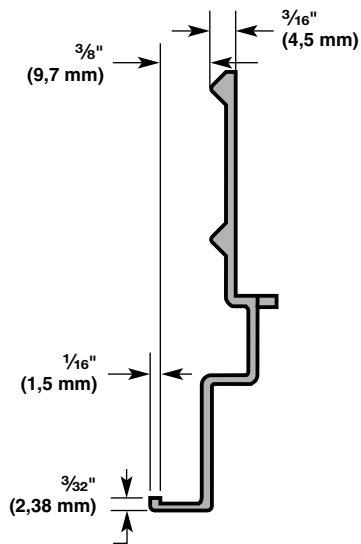
### Refrigerador (modelos de 36" [91,4 cm])



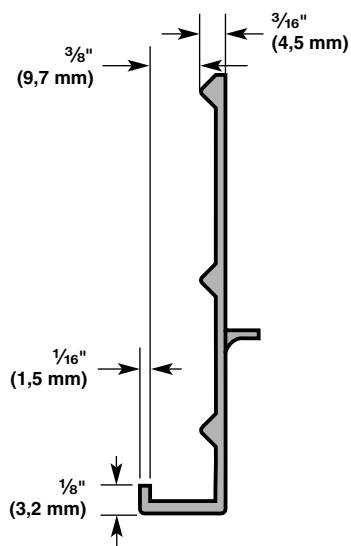
## Refrigerador (modelos de 42" [106,7 cm])



## Adorno lateral (modelos de 36" [91,4 cm])



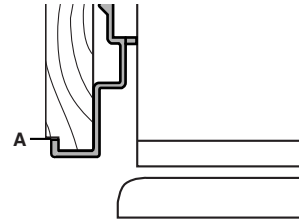
## Adorno lateral (modelos de 42" [106,7 cm])



## Medidas para la instalación empotrada

### Modelos de 36" (91,4 cm)

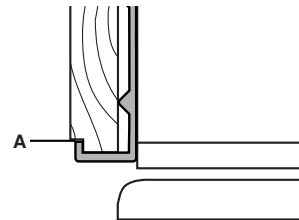
1. Mida la distancia del punto A (como se muestra) a la pared posterior. Agregue  $\frac{1}{32}$ " (0,8 mm) a esta medida para que el panel lateral se ajuste dentro del adorno.



2. Si el panel tiene más de  $\frac{3}{8}$ " (9,5 mm) de grosor, contornee el borde delantero para permitir que el panel lateral encaje en el adorno.

### Modelos de 42" (106,7 cm)

1. Mida la distancia del punto A (como se muestra) a la pared posterior. Agregue  $\frac{1}{32}$ " (0,8 mm) a esta medida para que el panel lateral se ajuste dentro del adorno.

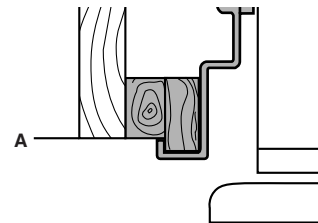


2. Si el panel tiene más de  $\frac{3}{8}$ " (9,5 mm) de grosor, contornee el borde delantero para permitir que el panel lateral encaje en el adorno.

## Medidas para la instalación en relieve

### Modelos de 36" (91,4 cm)

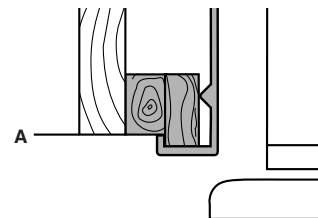
1. Mida la distancia del punto A (como se muestra) a la pared posterior.



2. Contornee el canto delantero del tablero de soporte o afiance un tablero de  $\frac{3}{8}$ " (9,5 mm) para fijar el panel al adorno lateral del armario.

### Modelos de 42" (106,7 cm)

1. Mida la distancia del punto A (como se muestra) a la pared posterior.



2. Contornee el canto delantero del tablero de soporte o afiance un tablero de  $\frac{3}{8}$ " (9,5 mm) para fijar el panel al adorno lateral del armario.

# INSTRUCCIONES DE INSTALACIÓN

## Desempaque el refrigerador

### ⚠ ADVERTENCIA



#### Peligro de Vuelco

El refrigerador puede volcarse cuando está siendo instalado debido a que la parte superior es pesada.

Mantenga las puertas cerradas con cinta hasta que el refrigerador esté completamente instalado.

Use dos o más personas para mover e instalar el refrigerador.

No seguir estas instrucciones puede ocasionar la muerte o herida seria.

#### IMPORTANTE:

- No quite la película de su refrigerador hasta que esté en su ubicación para el funcionamiento.
  - Las cuatro patas niveladoras deberán hacer contacto con el piso para soportar y estabilizar el peso total del refrigerador.
  - Ponga la pieza de cartón de empaque o de madera contrachapada debajo del refrigerador hasta que lo instale en su ubicación para el funcionamiento.
1. Quite y guarde la bolsa de material impreso adherida al costado del refrigerador y la bolsa de piezas que está detrás de la rejilla. Quite los cuatro soportes (dos de cada lado) que sujetan la base de empaque al fondo del refrigerador.  
**NOTA:** No quite la cinta y los refuerzos de las puertas hasta que el refrigerador esté en su ubicación final.
  2. Si es necesario, reduzca el arco de vuelco. Vea "Arco de vuelco" para los requisitos de altura del techo o "Cómo reducir el arco de vuelco" para ver las instrucciones paso a paso. Si usted no necesita reducir el arco de vuelco, proceda con "Cómo hacer entrar el refrigerador en la casa".

## Cómo reducir el arco de vuelco

(si es necesario)

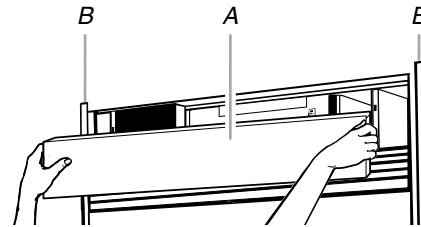
Antes de llevar el refrigerador a la casa, asegúrese de que dispone de suficiente altura al techo para que el refrigerador esté completamente derecho. Vea "Arco de vuelco" en la sección "Requisitos de instalación" para más información.

Si no se dispone de suficiente altura al techo para que el refrigerador esté completamente derecho, el arco de vuelco se puede reducir si quita la rejilla superior y los adornos laterales (vea el gráfico siguiente).

Modelo	Arco de vuelco reducido
36	88" (223,5 cm)
42	88½" (224,8 cm)

1. Tome ambos extremos de la rejilla superior.

2. Empuje la rejilla superior hacia arriba y luego tire directamente hacia afuera. Coloque la rejilla sobre una superficie de trabajo blanda.



A. Rejilla superior  
B. Adorno lateral del gabinete

3. Quite los seis tornillos que afianzan el adorno lateral de cada gabinete al refrigerador y quite los adornos laterales.

## Cómo hacer entrar el refrigerador en la casa

### ⚠ ADVERTENCIA



#### Peligro de Vuelco

El refrigerador puede volcarse cuando está siendo instalado debido a que la parte superior es pesada.

Mantenga las puertas cerradas con cinta hasta que el refrigerador esté completamente instalado.

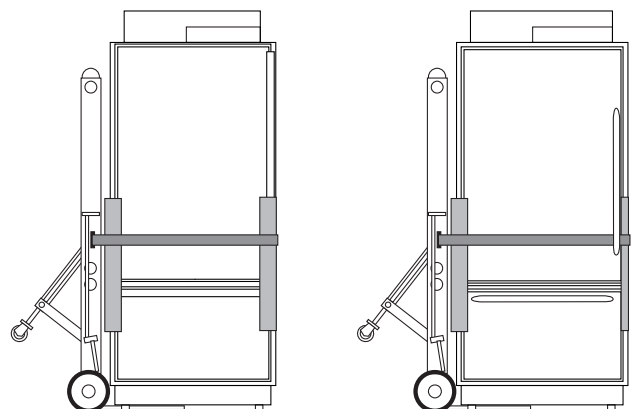
Use dos o más personas para mover e instalar el refrigerador.

No seguir estas instrucciones puede ocasionar la muerte o herida seria.

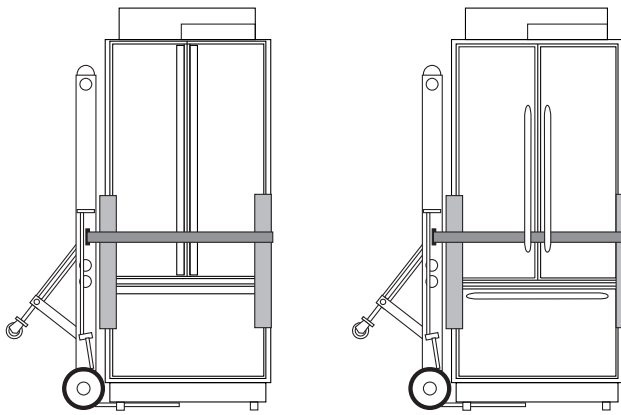
1. Coloque una plataforma rodante para electrodomésticos debajo del lado izquierdo del refrigerador, como se muestra. Para evitar daños, coloque los esquinales de los materiales de empaque sobre los adornos y las manijas, según sea necesario. Apriete lentamente la correa.

**NOTA:** Pase la correa de la plataforma rodante por debajo de las manijas.

#### Modelos de 36" (91,4 cm)



## Modelos de 42" (106,7 cm)



- Coloque unos tramos de cartón de empaque en el piso cuando haga rodar la plataforma rodante y el refrigerador al interior de la casa. Acerque el refrigerador a la abertura donde se va a empotrar.
- Coloque la parte superior del empaque de cartón o madera contrachapada debajo del refrigerador.
- Coloque el refrigerador en posición vertical. En primer lugar, coloque el borde inferior izquierdo del refrigerador en el piso, coloque el refrigerador en posición vertical y después baje el lado derecho del refrigerador hacia el piso.
- No quite la película o cubierta protectora.
- Vuelva a ensamblar el adorno y la rejilla superior después de quitar la plataforma rodante del refrigerador.

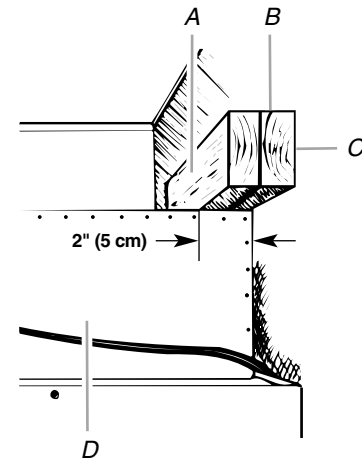
## Cómo instalar los tableros antivuelco

### IMPORTANTE:

- Para evitar la inclinación durante el uso, el plafón sólido deberá estar a 1" (2,5 cm) como máximo por encima del refrigerador. Si el plafón sólido está a una altura de más de 1" (2,5 cm) o no hay ninguno disponible, entonces el refrigerador deberá tener un soporte.
- Se recomienda que el (los) tablero(s) se instale(n) antes de la instalación del refrigerador.
- El (Los) tablero(s) deberá(n) ser suficientemente largo(s) para poder cubrir totalmente el ancho de la cubierta del compresor.
- Ubique el (los) tablero(s) de manera que la superficie inferior del (de los) tablero(s) esté a 84" (213 cm) del piso.
- Durante la instalación, eleve el refrigerador de manera que haya un máximo de 1/4" (6,35 mm) entre la parte superior del refrigerador y el fondo del (de los) tablero(s) antivuelco. No aplaste la cubierta del compresor al levantar las patas niveladoras traseras.

### Cómo instalar los tableros antivuelco

- Señale las ubicaciones para los montantes en la pared trasera, de 80" a 90" (203 a 229 cm) por encima del piso.
- Afiance con seguridad uno o dos de los tableros de 2" x 4" x 32" (5 cm x 10 cm x 81 cm) a los montantes de pared detrás del refrigerador. Use 6 tornillos para madera #8 x 3" (7,6 cm) (o más largos). Los tornillos para madera deberán atornillarse un mínimo de 1 1/2" (3,8 cm) en los montantes. El (Los) tablero(s) debe(n) quedar superpuesto(s) encima de la cubierta del compresor.



- A. Tablero central a 1/4" (6,35 mm) máximo por encima del refrigerador  
 B. Dos tableros de 2" x 4" x 32" (5 cm x 10 cm x 81 cm)  
 C. Afiance a los montantes con 6 tornillos #8 x 3" (7,6 cm)  
 D. Cubierta del compresor

## Conexión del suministro de agua

Lea todas las instrucciones antes de comenzar.

**IMPORTANTE:** Si enciende el refrigerador antes de conectar la tubería de agua, APAGUE la fábrica de hielo.

### Conexión a la línea de agua

#### Piezas necesarias:

- Línea flexible de suministro de agua, con un mínimo de 7 pies (2,13 m), aprobada por los códigos

#### Estilo 1 - Conexión de la válvula de cierre

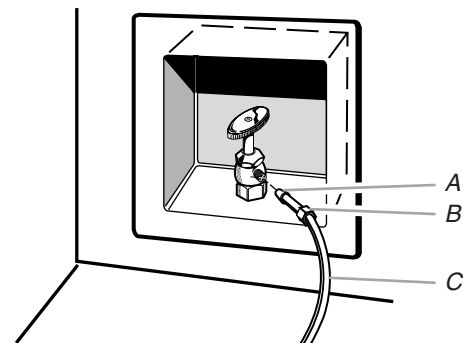
**NOTA:** Si la conexión de la tubería de agua de su casa no se parece al Estilo 1, vea "Estilo 2 - Conexión de la tubería de cobre".

- Desenchufe el refrigerador o desconecte el suministro de energía.

**IMPORTANTE:** Antes de fijar la tubería a la válvula de cierre, enjuague la línea principal de suministro de agua para quitar las partículas y el aire de la tubería de agua. Deje correr bastante agua para que ésta se vea cristalina. El enjuagar la línea de agua puede ayudar a evitar que los filtros y/o las válvulas de agua se obstruyan.

- Conecte la línea flexible de suministro de agua aprobada por los códigos a la válvula de cierre de agua enroscando la tuerca provista sobre la válvula de cierre, como se muestra.

**NOTA:** La válvula de cierre mostrada está en el armario lateral, como se recomienda.



- A. Bulbo  
 B. Tuerca  
 C. Tubería de agua

- Coloque el extremo de la tubería en un balde y ABRA la válvula de cierre.
- Revise si hay fugas. Apriete aquellas tuercas o conexiones que tengan fugas (incluidas las conexiones en la válvula).

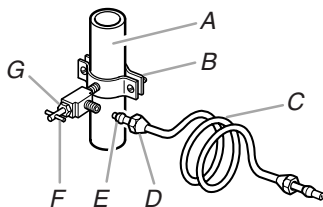
## Estilo 2 – Conexión de la tubería de cobre

**NOTA:** Si existe una línea de suministro de agua que cumpla con las especificaciones en “Requisitos del suministro de agua”, proceda con “Conexión al refrigerador”. Si no es así, siga las instrucciones a continuación para conectarla al suministro de agua fría de la casa.

- Desenchufe el refrigerador o desconecte el suministro de energía.
- CIERRE** el suministro principal de agua. ABRA la llave de agua más cercana el tiempo suficiente para que la tubería de agua se vacíe.
- Busque una tubería vertical de agua fría de 1/2" a 1 1/4" (1,25 cm a 3,18 cm) cercana al refrigerador.

### IMPORTANTE:

- Asegúrese de que sea una tubería de agua fría.
  - Una tubería horizontal funcionará, pero taladre por el lado de arriba de la tubería, no por debajo. Esto ayudará a mantener el agua alejada del taladro y también evita que se junte sedimento normal en la válvula.
- Determine la longitud de la tubería de cobre que necesite. Mida desde la conexión de la parte baja trasera izquierda del refrigerador hasta la tubería de agua. Agregue 7 pies (2,1 m) para la limpieza. Use tubería de cobre de 1/4" (6,35 mm) de diámetro externo. Asegúrese que ambos extremos de la tubería de cobre están cortados rectos.
  - Usando un taladro inalámbrico, perfora un orificio de 1/4" (6,35 mm) en la tubería de agua fría que usted ha seleccionado.



- |                            |                        |
|----------------------------|------------------------|
| A. Tubería de agua fría    | E. Manga de compresión |
| B. Abrazadera para tubería | F. Válvula de cierre   |
| C. Tubería de cobre        | G. Tuerca de presión   |
| D. Tuerca de compresión    |                        |

- Afiance la válvula de cierre a la tubería de agua fría con la abrazadera para tubería. Asegúrese que el extremo de salida esté firmemente insertado en el orificio taladrado de 1/4" (6,35 mm) en la tubería de agua y que la arandela esté por debajo de la abrazadera para tubería. Apriete la tuerca de presión. Apriete los tornillos de la abrazadera para tubería lentamente y en forma pareja de manera que la arandela provea un cierre hermético. No apriete demasiado.

**IMPORTANTE:** Antes de fijar la tubería a la válvula de cierre, enjuague la línea principal de suministro de agua para quitar las partículas y el aire de la tubería de agua. Deje correr bastante agua para que ésta se vea cristalina. El enjuagar la tubería de agua puede ayudar a evitar que los filtros y/o las válvulas de agua se obstruyan.

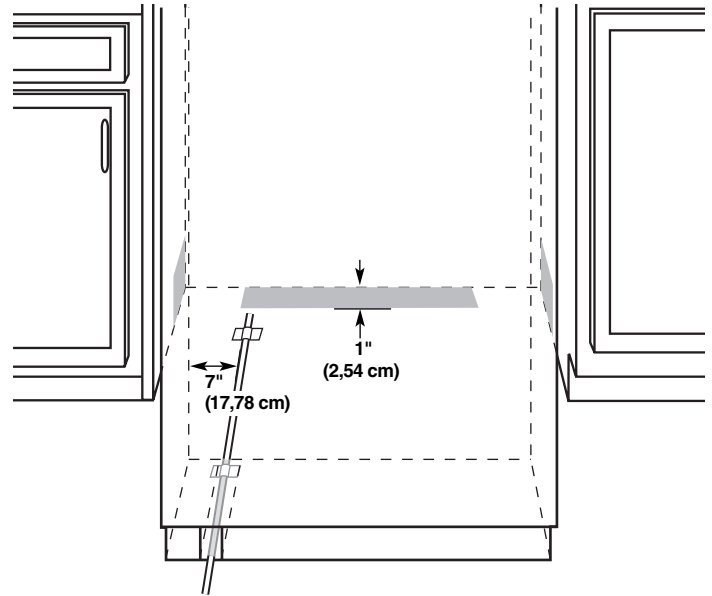
- Deslice la manga de compresión y la tuerca de compresión sobre la tubería de cobre como se muestra. Inserte el extremo de la tubería en el extremo de salida en ángulo recto hasta donde sea posible. Atornille la tuerca de compresión en el extremo de salida usando la llave inglesa ajustable. No apriete demasiado la abrazadera o la manga. Se quebrará la tubería de cobre.

- Cierre la válvula de cierre del tubo de agua. Enrolle la tubería de cobre.
- Conecte la línea flexible de suministro de agua aprobada por los códigos a la válvula de cierre de agua enroscando la tuerca provista sobre la válvula de cierre.
- Coloque el extremo de la tubería en un balde y ABRA la válvula de cierre.
- Busque fugas alrededor de la válvula tipo montura. Apriete aquellas tuercas o conexiones que tengan fugas (incluidas las conexiones en la válvula).

## Conexión al refrigerador

### Piezas suministradas:

- Acoplamiento macho y macho, de 1/4" a 1/4" (6,35 mm a 6,35 mm)



**NOTA:** La línea flexible de suministro de agua aprobada según los códigos puede conectarse a la válvula de suministro a través del piso o a través de los armarios laterales, según se indica en las cajas grises más arriba.

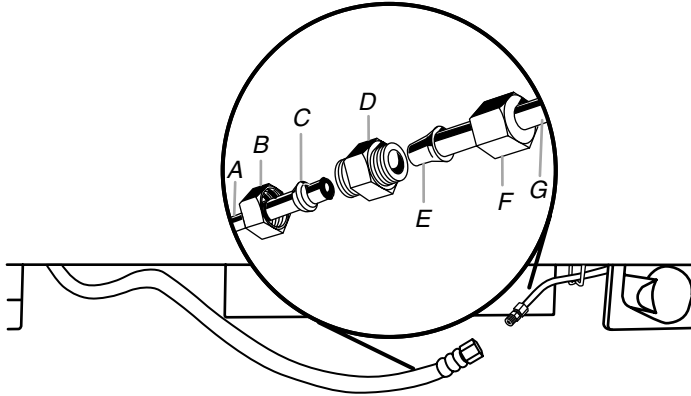
- Desenchufe el refrigerador o desconecte el suministro de energía.
- Conecte el tubo flexible de agua de 7 pies (2,13 m) aprobado según los códigos a la válvula de suministro de agua.
- Enjuague la línea principal de suministro de agua para quitar las partículas y el aire de la misma. Deje correr bastante agua para que ésta se vea cristalina.
- Pegue con cinta al piso la línea flexible de suministro de agua de 7 pies (2,13 m) aprobada según los códigos, a 7" (17,78 cm) del lado izquierdo del refrigerador. Pegue con cinta a lo largo de la longitud de la tubería, lo que permitirá que ésta pase por debajo del refrigerador, sin hacer interferencia.

**NOTA:** Deje un mínimo de 26" (66,04 cm) de línea flexible de suministro de agua aprobada según los códigos para que quede floja en la parte frontal del refrigerador, para conectarla al mismo.



5. Conecte la línea flexible de suministro de agua de 7 pies (2,13 m), aprobada según los códigos, al refrigerador.

**NOTA:** Si la válvula principal de cierre de agua está detrás del refrigerador, puede instalarse una válvula secundaria de cierre de agua alineada con la línea de suministro de agua, al frente del producto.



- |                             |                                     |
|-----------------------------|-------------------------------------|
| A. Línea de agua de la casa | E. Bulbo                            |
| B. Tuerca (adquirida)       | F. Tuerca                           |
| C. Fécula (adquirida)       | G. Tubería de agua del refrigerador |
| D. Acoplamiento             |                                     |

6. Abra la válvula de suministro de agua y verifique todas las conexiones para ver si hay fugas.

## Cómo enchufar el refrigerador

### ⚠ ADVERTENCIA



#### Peligro de Choque Eléctrico

Conecte a un contacto de pared de conexión a tierra de 3 terminales.

No quite la terminal de conexión a tierra.

No use un adaptador.

No use un cable eléctrico de extensión.

No seguir estas instrucciones puede ocasionar la muerte, incendio o choque eléctrico.

1. Coloque el interruptor de control en la parte superior del armario en la posición OFF (Apagado).
2. Conecte a un contacto de pared de conexión a tierra de 3 terminales.

## Cómo mover el refrigerador a su ubicación final

### ⚠ ADVERTENCIA



#### Peligro de Vuelco

El refrigerador puede volcarse cuando está siendo instalado debido a que la parte superior es pesada.

Mantenga las puertas cerradas con cinta hasta que el refrigerador esté completamente instalado.

Use dos o más personas para mover e instalar el refrigerador.

No seguir estas instrucciones puede ocasionar la muerte o herida seria.

**IMPORTANTE:** Antes de mover el refrigerador y para evitar daños al piso, asegúrese que las patas niveladoras están levantadas (no están tocando el piso) y que el refrigerador se encuentra sobre los rodillos.

1. Coloque la parte superior del empaque de cartón o madera contrachapada debajo del refrigerador. Quite la plataforma rodante.
2. No quite la película o cubierta.
3. Empuje el refrigerador directamente hacia atrás y en forma pareja hacia el interior de la abertura. Asegúrese de que los adornos laterales del refrigerador no interfieran con la abertura de la puerta. También asegúrese de que la tubería de agua no esté torcida y que el cable de suministro de energía esté encima del refrigerador.

## Nivelación y alineamiento del refrigerador

### ⚠ ADVERTENCIA



#### Peligro de Vuelco

El refrigerador puede volcarse cuando está siendo instalado debido a que la parte superior es pesada.

Mantenga las puertas cerradas con cinta hasta que el refrigerador esté completamente instalado.

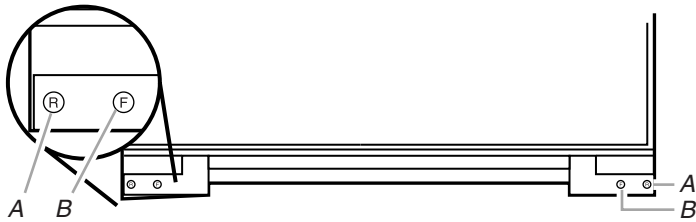
Use dos o más personas para mover e instalar el refrigerador.

No seguir estas instrucciones puede ocasionar la muerte o herida seria.

**IMPORTANTE:** Las cuatro patas niveladoras deberán hacer contacto con el piso para soportar y estabilizar el peso total del refrigerador. Los rodillos se usan para mover el refrigerador y no para un soporte permanente.

Después de mover el refrigerador a su ubicación final:

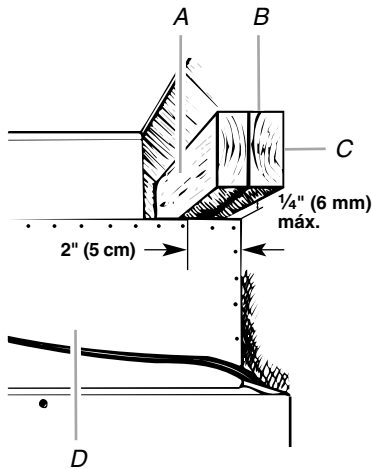
1. Use una llave de cubo de  $\frac{5}{16}$ " para girar los pernos niveladores hacia la derecha y extender las patas hasta el piso, como se muestra. Los rodillos no deberán hacer contacto con el piso.



A. Perno nivelador trasero  
B. Perno nivelador frontal

2. Ajuste las patas niveladoras para nivelar y alinear el refrigerador de izquierda a derecha y de adelante hacia atrás de modo tal que el refrigerador esté nivelado y alineado con los gabinetes. La superficie de los gabinetes debe estar a plomo para lograr un ajuste ideal del adorno lateral del refrigerador.
3. Continúe ajustando todas las patas niveladoras para levantar el refrigerador hasta que la parte superior esté al menos dentro de 1" (2,54 cm) del plafón superior.

**NOTA:** Si se ha utilizado un tablero anti-vuelco, ajuste las patas niveladoras hasta que la parte superior del refrigerador esté dentro de  $\frac{1}{4}$ " (6,35 mm) de la parte inferior del tablero anti-vuelco, como se muestra. No aplaste la tapa del compresor.



A. Tablero central  $\frac{1}{4}$ " (6,35 mm) máximo arriba del refrigerador  
B. Dos tableros de 2" x 4" x 32" (5 cm x 10 cm x 81 cm)  
C. Ajuste a los pies derechos con seis tornillos #8 x 3" (7,6 cm)  
D. Tapa del compresor

**IMPORTANTE:** Ajuste en pequeños incrementos para evitar dañar el adorno del gabinete y causar problemas con el alineamiento de la puerta o el ajuste de la rejilla superior. Para evitar daños al gabinete o las patas niveladoras, no aplique más de 50 lbs-pulg (5,65 Nm) de torque a los pernos niveladores. Las patas niveladoras pueden extenderse hasta un máximo de  $1\frac{1}{4}$ " (3,18 cm) por debajo de los rodillos.

4. Para los modelos Classic y Overlay, es posible que sea necesario realizar ajustes adicionales después de instalar los paneles a la medida.

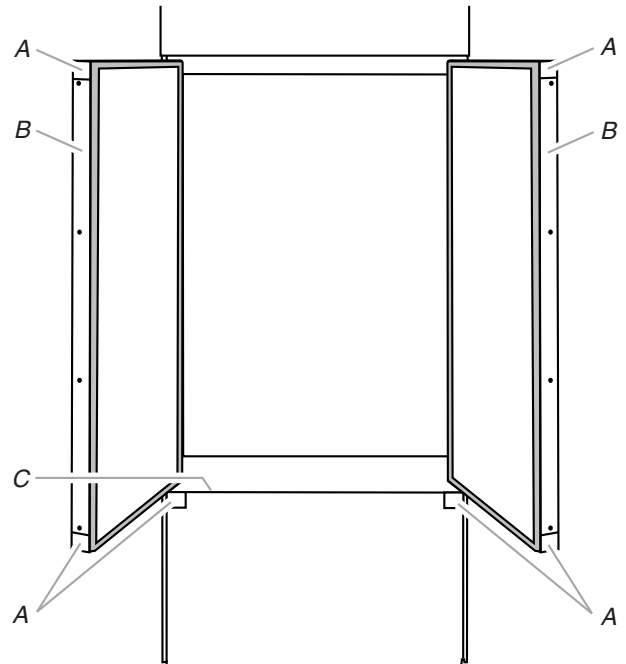
## Cómo instalar los paneles a la medida para las Series Overlay y Classic

### IMPORTANTE:

- Instale las agarraderas a la medida antes de instalar los paneles en el refrigerador. Para obtener más información sobre la selección de agarraderas a la medida de KitchenAid, consulte el catálogo de KitchenAid, visite el sitio [www.kitchenaid.com](http://www.kitchenaid.com) o llame al 1-800-422-1230. En Canadá, visite [www.KitchenAid.ca](http://www.KitchenAid.ca) o llame al 1-800-807-6777.
- Cree paneles recubiertos para puerta a la medida de acuerdo a las especificaciones en la sección "Paneles a la medida para la Serie Overlay."
- KitchenAid no es responsable de la remoción o adición de molduras o paneles decorativos que pudieran impedir el acceso al refrigerador para darle servicio.

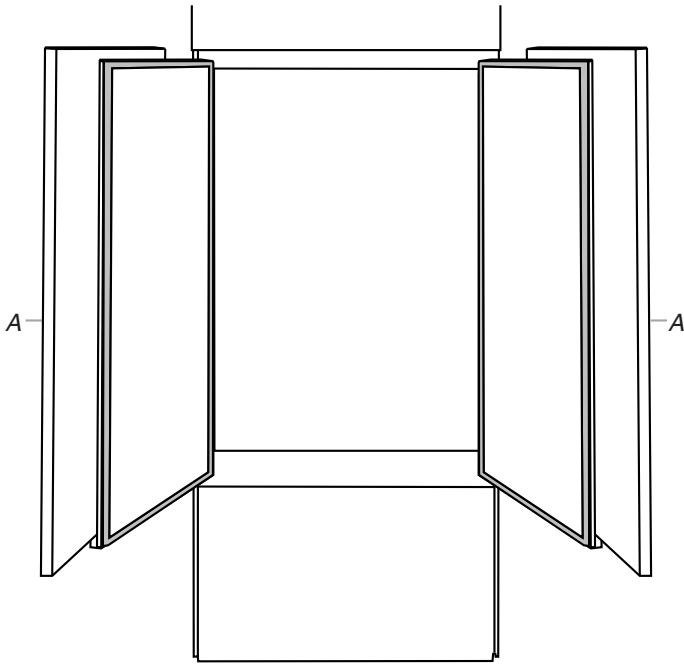
### Instalación del panel de la puerta

1. Quite toda la cinta adhesiva y los puntales de la(s) puerta(s) del refrigerador y del cajón del congelador.
2. Abra la(s) puerta(s) del refrigerador y el cajón del congelador, y saque los adornos y postes esquineros de cada puerta, como se muestra.



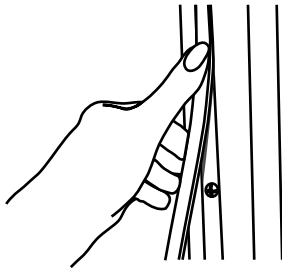
A. Postes esquineros  
B. Adornos de la puerta del refrigerador  
C. Adorno del cajón del congelador

- Deslice los paneles a la medida en los adornos sobre la(s) puerta(s) del refrigerador y el cajón del congelador, asegurándose de que el panel de soporte encaja dentro de la bisagra de los adornos laterales.



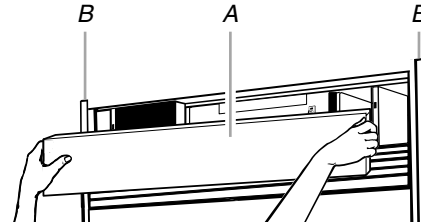
A. Paneles

- Vuelva a colocar los adornos y los postes esquineros.
- Quite la capa protectora de las cubiertas de los tornillos. Encaje las cubiertas de los tornillos en la sección del adorno de la agarradera.



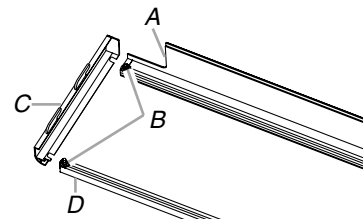
### Panel de la rejilla superior

- Tome ambos extremos de la rejilla superior.
- Empuje hacia arriba y luego tire directamente hacia afuera. Coloque la rejilla superior con el lado del panel hacia abajo sobre una superficie de trabajo blanda.



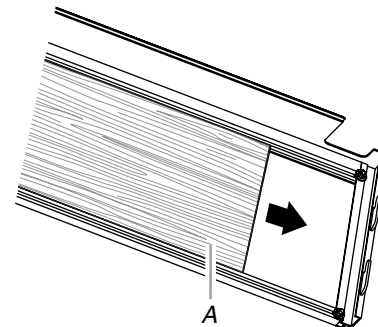
A. Rejilla superior  
B. Adornos laterales del armario

- Quite una cubierta de borde aflojando las tuercas y deslizándola hacia afuera.



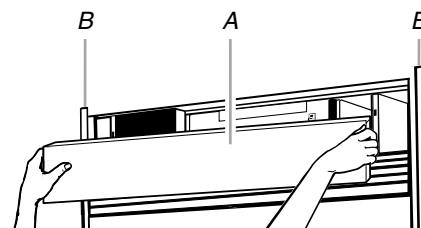
A. Riel inferior      C. Cubierta de borde  
B. Tuercas          D. Riel superior

- Deslice el panel a la medida dentro del canal de la rejilla superior y vuelva a colocar la cubierta de borde.



A. Panel a la medida

- Vuelva a colocar la rejilla superior en los adornos laterales del armario y jale ligeramente hacia abajo el panel para trabarlo en su lugar.

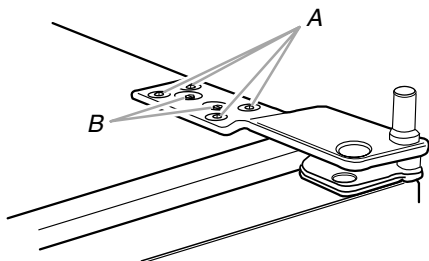


A. Rejilla superior  
B. Adornos laterales del armario

## Cómo ajustar la(s) puerta(s)

### Alineamiento de la puerta (modelos de 36" [91,4 cm])

1. Afloje, pero no quite, los cuatro tornillos de montaje de cabeza plana Torx<sup>®†</sup> 27 y los dos tornillos de montaje de cabeza hexagonal de 1/4" que están en la bisagra superior.
2. Ajuste la bisagra superior de la puerta para alinearla.
3. Ajuste los tornillos de montaje de cabeza plana Torx<sup>®†</sup> 27 a un torque de aproximadamente 100 lb-pulg (11,3 Nm).
4. Ajuste los tornillos de cabeza hexagonal de 1/4".



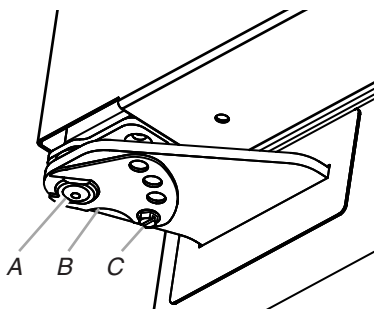
A. Tornillos de montaje de cabeza plana Torx<sup>®†</sup> 27  
B. Tornillos de montaje de cabeza hexagonal de 1/4"

### Cómo ajustar la altura de la puerta (modelos de 42" [106,7 cm])

Siga los pasos a continuación para ajustar la altura de la puerta, hacia arriba o hacia abajo, una vez que se niveló el refrigerador.

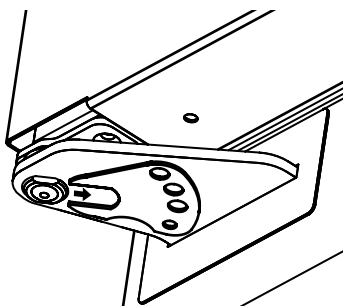
**NOTA:** Ajuste primero la puerta derecha hacia la posición de la puerta izquierda. Si es necesario ajustar la puerta izquierda, deberá asegurarse de que no se arrastre el riel central con bisagra ubicado en la puerta izquierda, al cerrar la puerta.

1. Abra el cajón del congelador. Saque el tornillo de la placa de fijación del lado inferior de la bisagra de la puerta del refrigerador usando una llave de extremo abierto de 1/4".



A. Casquillo  
B. Placa de fijación  
C. Tornillo de la placa de fijación

2. Quite la placa de fijación, como se muestra.

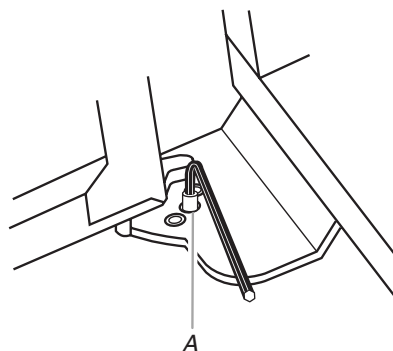


3. Usando la llave de boca de 1/2" haga girar al casquillo ubicado debajo de la parte inferior de la bisagra. Si gira el casquillo a la izquierda hará bajar la puerta. Si gira el casquillo hacia la derecha hará subir la puerta.
4. Después del ajuste, asegúrese que las puertas están parejas arriba y abajo. Si las puertas no están parejas, siga haciendo girar el casquillo hasta ajustar la puerta.
5. Vuelva a colocar la placa de fijación.
  - Mueva ligeramente el casquillo para alinear los orificios del tornillo de la bisagra y de la placa de fijación.
  - Vuelva a colocar y ajuste el tornillo de la placa de fijación.
6. Haga una verificación final para asegurarse que las puertas están alineadas y parejas.

### Cómo ajustar la oscilación de las puertas

#### Modelos de 36" (91,4 cm)

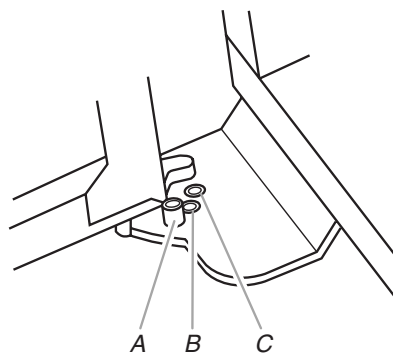
1. Verifique que la puerta del refrigerador se pueda abrir con toda libertad. Si la puerta se abre mucho, quite el tornillo de tope de la puerta de la bisagra inferior con un destornillador Torx<sup>®†</sup> T15.



A. Tornillo del retén de la puerta

2. Detenga la puerta abierta en un ángulo menor de 90°.
3. Vuelva a colocar el tornillo del retén de la puerta en la bisagra inferior y apriete.

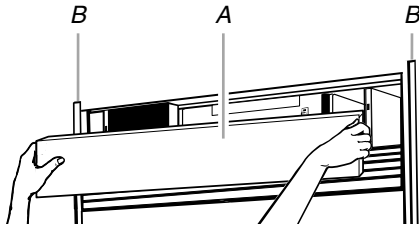
**IMPORTANTE:** No coloque el tornillo del retén de la puerta en la posición de 130° en los modelos de la serie Overlay. Vea "Espacios para la agarradera y la puerta".



A. 130°  
B. 110° (Serie Overlay)  
C. 90°

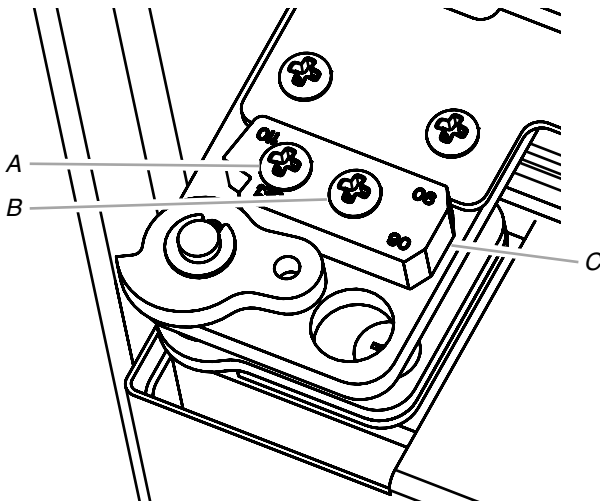
## Modelos de 42" (106,7 cm)

1. Verifique que la puerta del refrigerador se pueda abrir con toda libertad. Si la puerta se abre demasiado, deberá ajustar la posición del tope de la puerta.
2. Tome ambos extremos de la rejilla superior.
3. Empuje la rejilla superior hacia arriba y luego jale directamente hacia afuera. Coloque la rejilla sobre una superficie blanda.



A. Rejilla superior  
B. Adornos laterales de la carcasa

4. El retén de la puerta está ubicado en la bisagra superior.

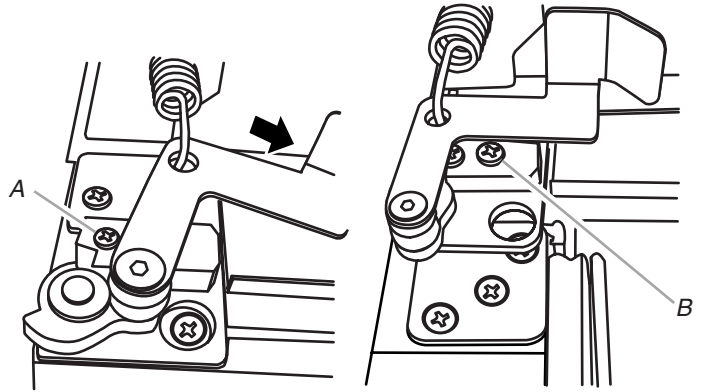


A. Tornillo del retén de la puerta "A"  
B. Tornillo del retén de la puerta "B"  
C. Retén de la puerta

5. Quite los 2 tornillos del retén de la puerta.

- Para quitar el tornillo exterior ("A"): Con la puerta cerrada, presione firmemente el soporte en forma de "L" hacia el centro del refrigerador hasta que el tornillo quede expuesto.

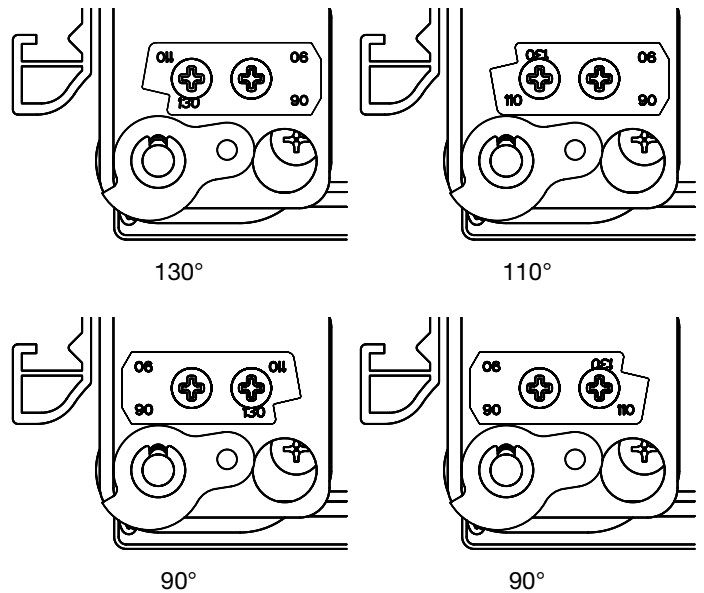
- Para quitar el tornillo interior ("B"): Abra la puerta 90° y el soporte en forma de "L" dejará expuesto el tornillo.



A. Tornillo del retén de la puerta "A"  
B. Tornillo del retén de la puerta "B"

6. Invierta o rote el retén de la puerta a la posición deseada, como se muestra a continuación.

**NOTA:** Para los modelos de la serie Overlay, dirija el lado de la bisagra de los paneles de la puerta a la medida hacia un radio que sea por lo menos la mitad del espesor del panel, si desea que la puerta se abra a 130°.



Del lado izquierdo, como se muestra; el lado derecho invertido

7. Vuelva a colocar los tornillos del tope de la puerta y apriételes.
8. Verifique que la puerta se pueda abrir con toda libertad.

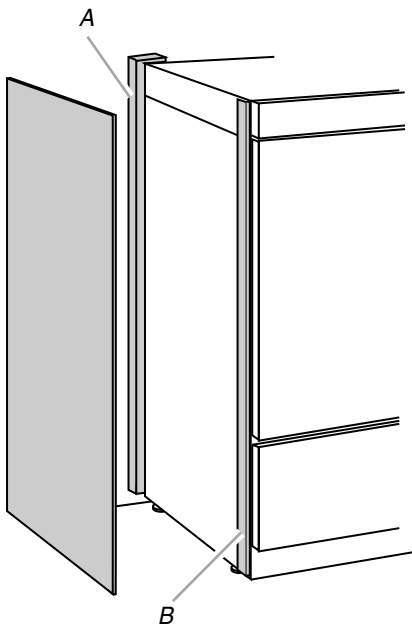
## Cómo instalar el panel lateral

Si la profundidad del área para empotrar es de 25" (63,5 cm) o más, los paneles laterales pueden instalarse dentro del adorno lateral o afianzarse a la parte externa del adorno lateral.

**IMPORTANTE:** KitchenAid no es responsable de la remoción o adición de molduras o paneles decorativos que pudieran impedir el acceso al refrigerador para darle servicio.

1. Para la pieza que va dentro del adorno lateral, deslice el borde delantero del lado contorneado del panel dentro de la pieza de adorno.

- Clave el borde trasero del panel al tablero de soporte.



A. Tablero de soporte  
B. Pieza de adorno lateral

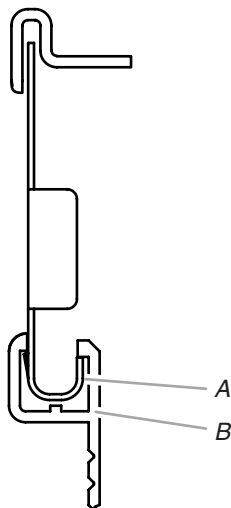
## Cómo instalar la rejilla de la base

Hay dos piezas en la rejilla de la base para permitir un encaje a la medida: la base de la rejilla misma y el faldón. Se puede agregar el faldón a la rejilla de la base para extenderla completamente hasta el piso.

- Para ver si se necesita el faldón, coloque la rejilla de la base en su posición. No fije la rejilla de la base al refrigerador. Mida la distancia entre la parte inferior de la rejilla de la base y el piso. El espacio debe ser de  $\frac{1}{2}$ " (1,27 cm) como mínimo para agregar el faldón.

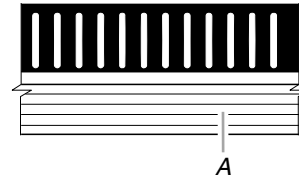
**NOTA:** Si el espacio mide menos de  $\frac{1}{2}$ " (1,27 cm), saltee los pasos 3 y 4 de las instrucciones e instale solamente la rejilla de la base.

- Saque la película protectora de la rejilla de la base.
- Encaje a presión el faldón sobre la rejilla de la base.



A. Rejilla de la base  
B. Faldón

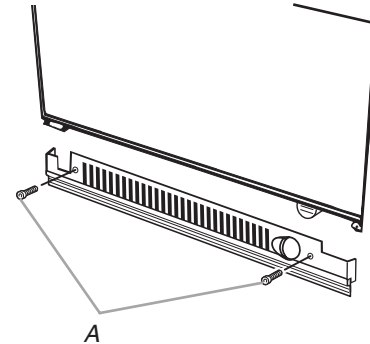
- Recorte el faldón trazando una muesca apropiada en forma de "V" con un cuchillo para uso general. Parta el faldón en la línea trazada.



A. Muesca en "V"

- Usando los dos tornillos, fije el ensamblaje de la rejilla de la base al refrigerador, como se muestra.

**NOTA:** Atornille primero el tornillo del lado derecho.



A. Tornillos (2)

## Cómo terminar la instalación

- Gire la válvula de la tubería de alimentación de agua a la posición "Abierta".
- Gire el interruptor del refrigerador a la posición de ON (Encendido). Vea "Interruptor de encendido/apagado", en el Manual de uso y cuidado, para las instrucciones. Espere unos minutos. Revise si hay fugas en las conexiones de la tubería de agua.
- Quite todas las cajas, paquetes de partes y materiales de empaque del interior del refrigerador. Vea la sección "Limpieza" en el Manual de uso y cuidado, para las instrucciones. Quite la película y el cartón protector de la rejilla y de las puertas o marco de la puerta, según su modelo.
- Instale los estantes y recipientes en los compartimientos del refrigerador y del congelador.
- Los controles están prefijados de fábrica en su posición intermedia. Verifique que el compresor esté funcionando correctamente y que todas las luces funcionan.
- Si se sigue construyendo después de haber instalado el refrigerador, fije los controles en OFF (Apagado).

Para obtener el uso más eficiente de su nuevo refrigerador empotrado, lea el Manual de uso y cuidado. Conserve a las Instrucciones de instalación y el Manual de uso y cuidado cerca del refrigerador empotrado para una consulta fácil.

# SÉCURITÉ DU RÉFRIGÉRATEUR

## Votre sécurité et celle des autres est très importante.

Nous donnons de nombreux messages de sécurité importants dans ce manuel et sur votre appareil ménager. Assurez-vous de toujours lire tous les messages de sécurité et de vous y conformer.



Voici le symbole d'alerte de sécurité.

Ce symbole d'alerte de sécurité vous signale les dangers potentiels de décès et de blessures graves à vous et à d'autres.

Tous les messages de sécurité suivront le symbole d'alerte de sécurité et le mot "DANGER" ou "AVERTISSEMENT". Ces mots signifient :

**⚠ DANGER**

**Risque possible de décès ou de blessure grave si vous ne suivez pas immédiatement les instructions.**

**⚠ AVERTISSEMENT**

**Risque possible de décès ou de blessure grave si vous ne suivez pas les instructions.**

Tous les messages de sécurité vous diront quel est le danger potentiel et vous disent comment réduire le risque de blessure et ce qui peut se produire en cas de non-respect des instructions.

**⚠ AVERTISSEMENT**



### Risque de basculement

**Le réfrigérateur est lourd au sommet et bascule facilement lorsqu'il n'est pas complètement installé.**

**Garder les portes fermées avec un ruban adhésif jusqu'à l'installation complète du réfrigérateur.**

**Utiliser deux ou plus de personnes pour déplacer et installer le réfrigérateur.**

**Le non-respect de ces instructions peut causer un décès ou une blessure grave.**

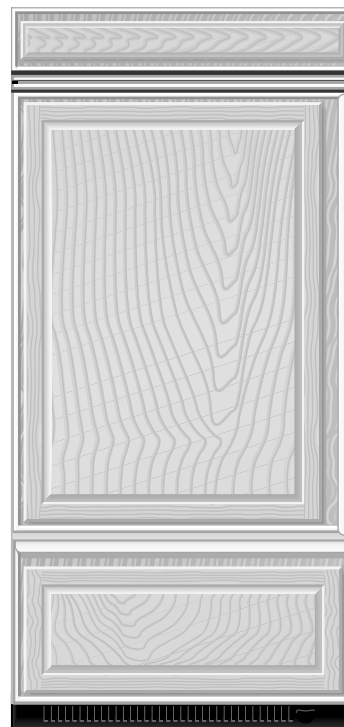
# MODÈLES



## Série Architect® (modèles de 36" [91,4 cm])

Se caractérise par un style enveloppant qui complète les poignées de porte galbées. Cette série présente un réfrigérateur encastré d'apparence commerciale et de style chaleureux.

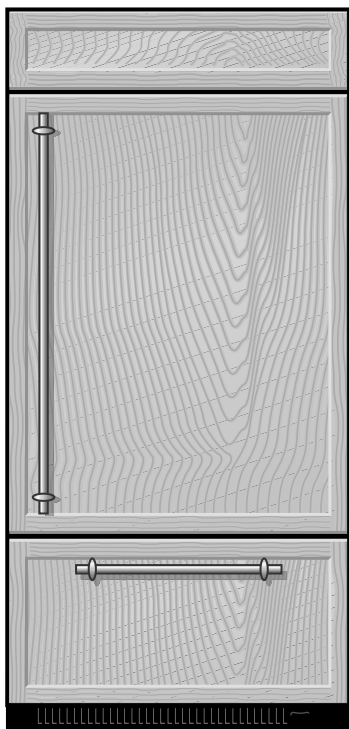
KBRC36FTS      KBLC36FTS



## Série Classic (modèles de 36" [91,4 cm])

Se caractérise par des garnitures pré-installées à l'usine de style traditionnel procurant un aspect "encadré". Cette série nécessite l'installation de panneaux personnalisés non inclus.

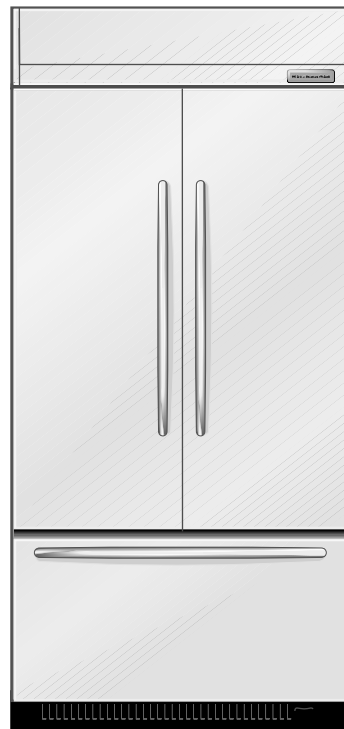
KBRS36FTB      KBRS36FTX      KBLS36FTB  
KBLS36FTX



## Série Overlay (modèles de 36" [91,4 cm])

Se caractérise par des garnitures pré-installées à l'usine de style décoratif procurant un aspect "sans cadre". Cette série nécessite l'installation de panneaux, poignées et supports pour poignée personnalisés.

KBRO36FTX      KBLO36FTX

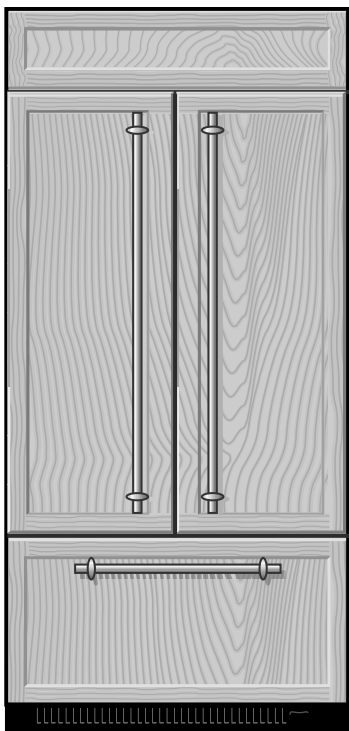


## Série Architect® (modèles de 42" [106,7 cm])

Se caractérise par un style enveloppant qui complète les poignées de porte galbées. Cette série présente un réfrigérateur encastré d'apparence commerciale et de style chaleureux.

KBFC42FTS





### Série Overlay (modèles de 42" [106,7 cm])

Se caractérise par des garnitures pré-installées à l'usine de style décoratif procurant un aspect "sans cadre". Cette série nécessite l'installation de panneaux, poignées et supports pour poignée personnalisés.

KBFO42FTX

## EXIGENCES D'INSTALLATION

### Outillage et pièces

#### IMPORTANT :

- Installateur : Remettre les instructions d'installation au propriétaire.
- Propriétaire : Conserver les instructions d'installation pour référence ultérieure. Conserver ces instructions d'installation pour consultation par l'inspecteur local des installations électriques.

#### OUTILLAGE REQUIS :

Rassembler les outils et pièces nécessaires avant de commencer l'installation. Lire et suivre les instructions fournies avec les outils indiqués ici.

- |                                 |   |
|---------------------------------|---|
| ■ Perceuse sans fil             | ■ Tournevis Torx®† T15 et T27                   |
| ■ Forets                        | ■ Tourne-écrou de 1 1/32"                       |
| ■ Deux clés à molette           | ■ Clés plates de 3/8", 1/4" et 1/2"             |
| ■ Tournevis Phillips            | ■ Clé à tête hexagonale 5/32"                   |
| ■ Petit niveau                  | ■ Clé à douille, avec douilles de 1/4" et 5/16" |
| ■ Chariot pour appareil ménager | ■ Mètre-ruban                                   |
|                                 | ■ Couteau utilitaire                            |

#### PIÈCES NÉCESSAIRES :

- 6 vis à bois n° 8 x 3" (7,6 cm) (il peut être nécessaire d'utiliser des vis plus longues)

†TORX est une marque déposée de Saturn Fasteners, Inc.

- 1 ou 2 planches de bois de 2" x 4" x 32" (5 cm x 10 cm x 81 cm)
- Commander des panneaux d'origine, fabriquer des panneaux personnalisés ou consulter un ébéniste ou un menuisier qualifié pour la fabrication de panneaux.  
Série Classic : Commander des panneaux d'origine, fabriquer des panneaux personnalisés ou consulter un ébéniste ou menuisier qualifié pour la fabrication des panneaux. Voir "Conditions d'installation" pour plus d'information.  
Série Overlay : Fabriquer des panneaux personnalisés ou consulter un ébéniste ou menuisier qualifié pour la fabrication des panneaux. Voir "Conditions d'installation" pour plus d'information.  
Les séries Architect® sont expédiées complètes.
- Si on connecte la canalisation d'eau directement à un tube en cuivre et non à un robinet d'arrêt, il faut une virole, un raccord et une bague de compression de 1/4".

### Exigences d'emplacement

Le réfrigérateur peut être encastré dans une ouverture entre les placards ou installé à l'extrémité d'une enfilade de placards en utilisant un panneau latéral pour encadrer le réfrigérateur.

## ⚠ AVERTISSEMENT



### Risque d'explosion

**Garder les matériaux et les vapeurs inflammables, telle que l'essence, loin du réfrigérateur.**

**Le non-respect de cette instruction peut causer un décès, une explosion ou un incendie.**

#### IMPORTANT :

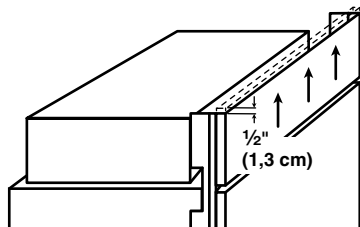
- Observer tous les codes et règlements en vigueur.
- Il est recommandé de ne pas installer le réfrigérateur près d'un four, d'un radiateur ou de toute autre source de chaleur.
- Ne pas installer le réfrigérateur dans un endroit où la température baissera au-dessous de 55°F (13°C).
- Le plancher doit supporter le poids du réfrigérateur, soit plus de 600 lb (272 kg), en plus des panneaux de porte et du contenu du réfrigérateur.
- La hauteur du plafond doit être suffisante pour le rayon de basculement latéral. Voir "Rayon de basculement".
- L'emplacement doit permettre l'ouverture complète des portes. Voir "Dimensions pour l'ouverture des portes".
- L'emplacement doit permettre d'enlever la grille supérieure. Voir "Dimensions de l'ouverture".

#### Dimensions de l'ouverture

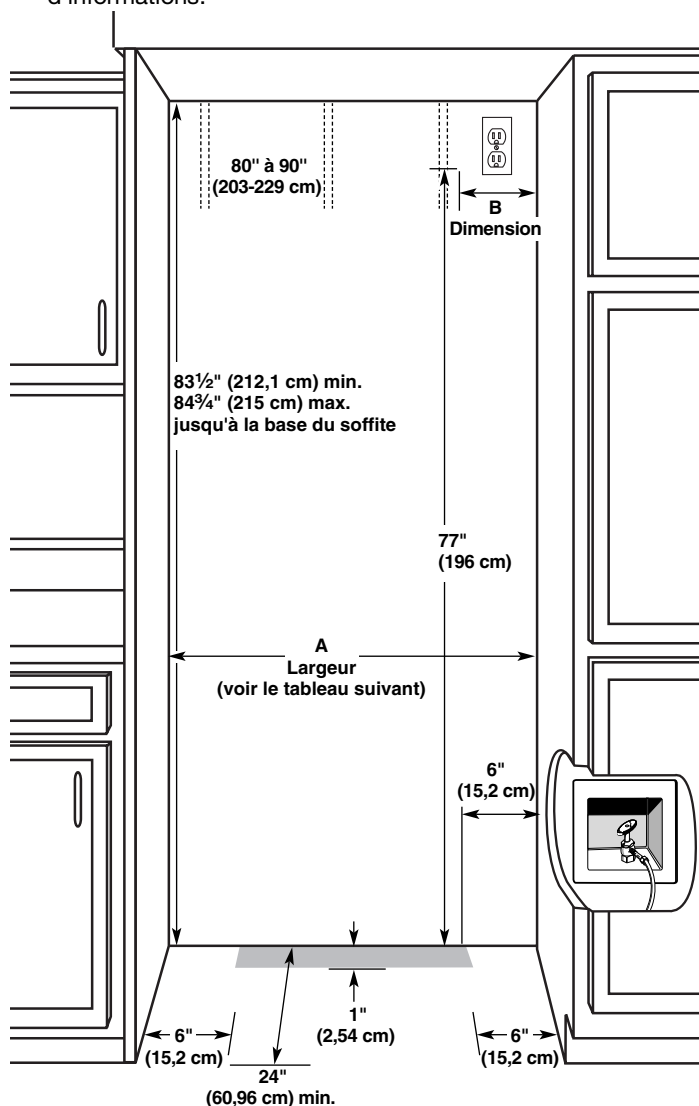
- Pour éviter le basculement pendant l'utilisation, le soffite massif doit se trouver à 1" (2,5 cm) maximum au-dessus du réfrigérateur. Si le soffite massif se trouve à plus de 1" (2,5 cm) ou si un soffite n'est pas disponible, le réfrigérateur doit être arrimé.

Si des planches antibasculement sont nécessaires, elles doivent être fixées aux poteaux de colombage du mur arrière de 80" à 90" (203 à 229 cm) au-dessus du plancher. Voir "Installation de planches antibasculement" pour plus d'informations.

**REMARQUE :** Un dégagement de 1/2" (1,3 cm) doit être maintenu devant la grille latérale pour que la grille supérieure puisse être enlevée.



- Une prise de courant à 3 alvéoles reliée à la terre devrait être installée à 4" (10,2 cm) du côté droit des placards ou du panneau d'extrémité. Voir "Spécifications électriques" pour plus d'informations.
- Le robinet d'arrêt devrait se trouver dans le placard inférieur, d'un côté ou l'autre du réfrigérateur ou à un autre endroit facilement accessible. Si le robinet d'arrêt n'est pas dans les placards, la plomberie pour la canalisation d'alimentation peut être acheminée à travers le plancher ou le mur arrière. Voir "Spécifications de l'alimentation en eau" pour plus d'informations.



Modèle	Largeur A (tel qu'illustré ci-dessus)	Dimension B (tel qu'illustré ci-dessus)
36	35 1/2" (90,2 cm)	4" (10,2 cm)
42	41 1/2" (105,4 cm)	10" (25,4 cm)

**REMARQUE :** Le plancher sur lequel le réfrigérateur est placé doit être au même niveau que celui de la pièce.

## Spécifications électriques

### ⚠ AVERTISSEMENT



#### Risque de choc électrique

**Brancher sur une prise à 3 alvéoles reliée à la terre.**

**Ne pas enlever la broche de liaison à la terre.**

**Ne pas utiliser un adaptateur.**

**Ne pas utiliser un câble de rallonge.**

**Le non-respect de ces instructions peut causer un décès, un incendie ou un choc électrique.**

Avant de placer le réfrigérateur à son emplacement final, il est important de vous assurer d'avoir la connexion électrique appropriée.

#### Méthode recommandée de mise à la terre

Une source d'alimentation de 115 volts, 60 Hz, type 15 ou 20 amp CA seulement, protégée par fusible et adéquatement mise à la terre est nécessaire. Il est recommandé d'utiliser un circuit distinct pour alimenter uniquement votre réfrigérateur. Utiliser une prise murale qui ne peut être mise hors circuit à l'aide d'un commutateur. Ne pas utiliser de cordon de rallonge.

**IMPORTANT :** Si ce produit est connecté à une prise protégée par un disjoncteur de fuite à la terre, un déclenchement intempestif peut se produire et causer une perte de refroidissement. La qualité et la saveur des aliments risquent d'être affectées. Si un déclenchement intempestif se produit et si les aliments semblent de piètre qualité, jeter le tout.

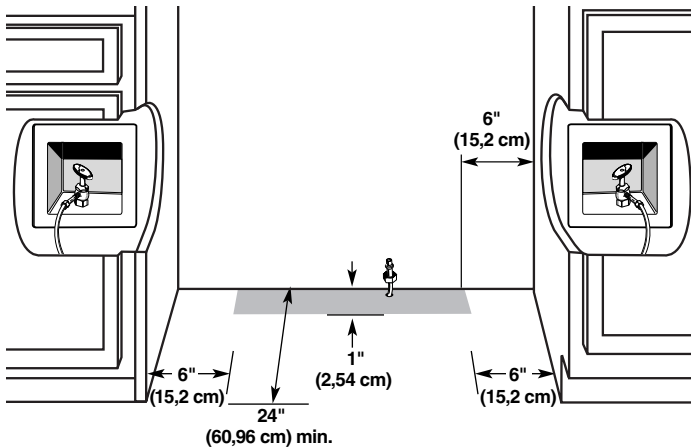
**REMARQUE :** Avant d'exécuter tout type d'installation, nettoyage ou remplacement d'une ampoule d'éclairage, enlever la grille supérieure et mettre l'interrupteur général d'alimentation à OFF (arrêt) ou déconnecter la source de courant électrique au boîtier de disjoncteurs.

Lorsque vous avez terminé, mettre l'interrupteur général d'alimentation à ON (marche) ou reconnecter la source de courant électrique au boîtier de disjoncteurs. Puis remettre la commande au réglage désiré.

## Spécifications de l'alimentation en eau

- Toutes les installations doivent être conformes aux exigences des codes locaux de plomberie.
- Le robinet d'arrêt doit se trouver dans le placard inférieur, d'un côté ou de l'autre du réfrigérateur ou à un autre endroit facilement accessible. Le côté droit est recommandé. Le trou d'accès à travers le placard doit se trouver à  $\frac{1}{2}$ " (12,7 mm) maximum du mur arrière.

**REMARQUE :** Si le robinet d'arrêt est placé dans le mur arrière derrière le réfrigérateur, il faut qu'il soit incliné à un angle approprié pour que le tube ne subisse pas de déformation/écrasement lorsqu'on pousse le réfrigérateur jusqu'à sa position finale.



- Si le robinet d'arrêt de la canalisation d'eau n'est pas installé dans les placards, la canalisation d'eau peut parvenir au réfrigérateur à travers le plancher. Un trou de  $\frac{1}{2}$ " (12,7 mm) pour la plomberie doit être percé à 6" (15,2 cm) minimum du placard de gauche ou de droite ou du panneau. Sur le plancher, le trou ne doit pas se trouver à plus de 1" (2,54 cm) du mur arrière. Voir "Raccordement de la canalisation d'eau".
- Si un tube supplémentaire est nécessaire, utiliser un tube en cuivre et vérifier s'il y a des fuites. Installer les tuyaux en cuivre seulement là où les températures domestiques resteront au-dessus du point de congélation.
- Ne pas employer de robinet d'arrêt à étrier de  $\frac{3}{16}$ " (4,76 mm) ou de type à percer, ce qui réduit le débit d'eau et cause une obstruction plus facilement.

**REMARQUE :** Votre marchand de réfrigérateurs offre une trousse avec un robinet d'arrêt à étrier de  $\frac{1}{4}$ " (6,35 mm), un raccord et un tube en cuivre. Avant l'achat, s'assurer que le robinet d'arrêt à étrier est conforme aux codes locaux de plomberie.

## Pression de l'eau

Une alimentation en eau froide avec une pression entre 30 et 120 lb/po<sup>2</sup> (207 et 827 kPa) est nécessaire pour faire fonctionner le distributeur d'eau et la machine à glaçons. Si vous avez des questions au sujet de la pression de votre eau, appeler un plombier qualifié agréé.

## Alimentation en eau par osmose inverse

**IMPORTANT :** La pression de l'alimentation en eau entre le système d'osmose inverse et la valve d'arrivée d'eau du réfrigérateur doit être entre 30 et 120 lb/po<sup>2</sup> (207 à 827 kPa).

Si un système de purification de l'eau par osmose inverse est raccordé à votre alimentation en eau froide, la pression de l'eau au système doit être d'un minimum de 40 à 60 lb/po<sup>2</sup> (276 à 414 kPa).

Si la pression de l'eau au système d'osmose inverse est inférieure à 40 à 60 lb/po<sup>2</sup> (276 à 414 kPa) :

- Vérifier que le filtre du système d'osmose inverse n'est pas bloqué et le remplacer si nécessaire.
- Laisser le réservoir du système d'osmose inverse se remplir après une utilisation intense.
- Si votre réfrigérateur a une cartouche de filtre à eau, celle-ci peut réduire encore plus la pression de l'eau lorsqu'elle est utilisée avec un système d'osmose inverse. Retirer la cartouche du filtre à eau.

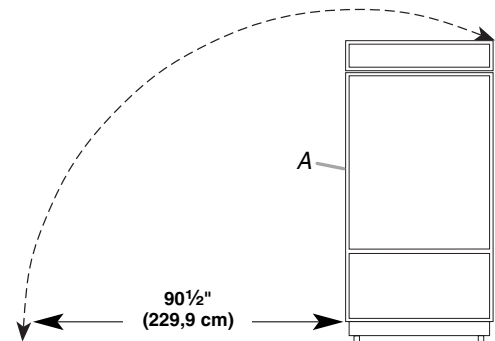
Si vous avez des questions au sujet de la pression de votre eau, appeler un plombier qualifié agréé.

## Rayon de basculement

S'assurer que la hauteur du plafond est suffisante pour mettre le réfrigérateur en position verticale.

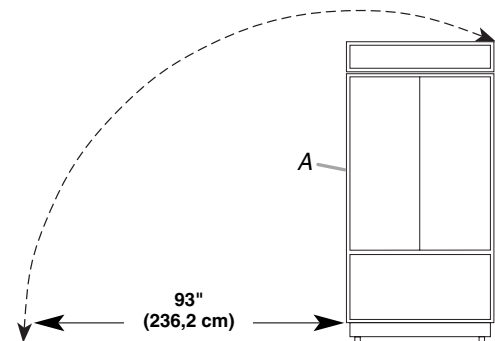
- Si le réfrigérateur est installé sur un chariot à roulettes, on doit ajouter la hauteur du chariot au rayon de basculement.
- Si nécessaire, le rayon de basculement peut être réduit. Voir "Réduction du rayon de basculement".

## Rayon de basculement latéral (modèles de 36" [91,4 cm])



A. Ne faire basculer que de ce côté.

## Rayon de basculement latéral (modèles de 42" [106,7 cm])

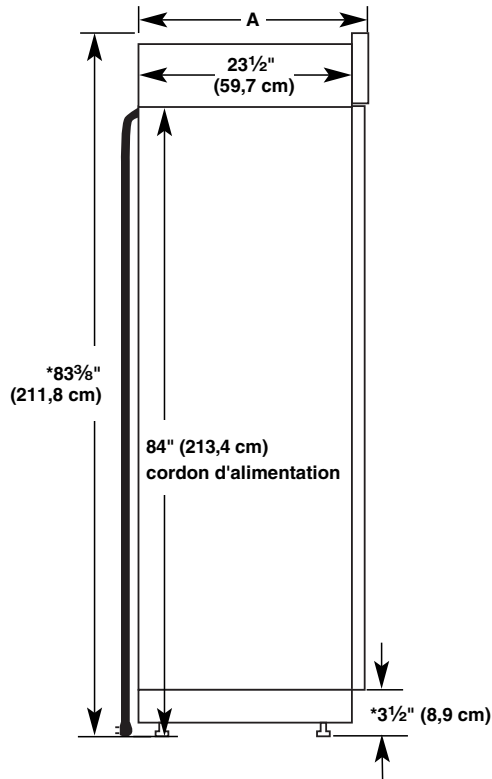


A. Ne faire basculer que de ce côté.

## Dimensions du produit

### Vue latérale

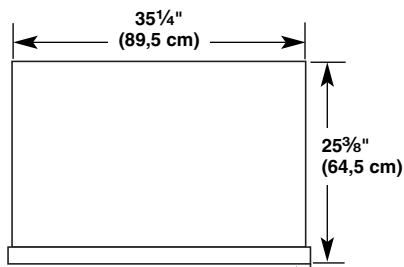
- La profondeur de l'avant de la grille supérieure à l'arrière de la caisse du réfrigérateur est de  $25\frac{3}{8}$ " (64,5 cm).
- Le cordon d'alimentation mesure 84" (213 cm) de long.
- La canalisation d'eau fixée à l'arrière du réfrigérateur mesure 5 pi (1,5 m) de long. Les hauteurs indiquées sont calculées avec pieds de nivellement déployés de  $\frac{1}{8}$ " (3 mm) au-dessous des roulettes.



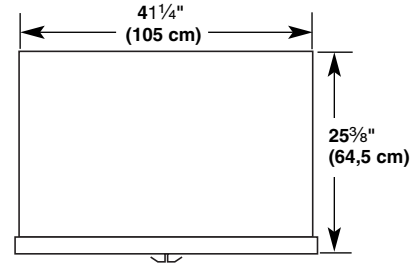
\*Lorsque les pieds de nivellement sont totalement déployés de  $1\frac{1}{4}$ " (3,2 cm) au-dessous des roulettes, ajouter  $1\frac{1}{8}$ " (2,9 cm) à la hauteur totale.

### Vue de dessus

#### Modèles de 36" (91,4 cm)



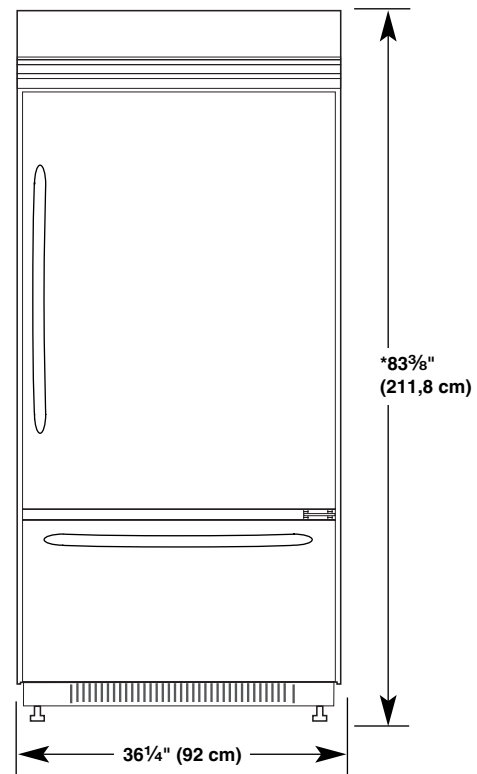
#### Modèles de 42" (106,7 cm)



### Vue avant

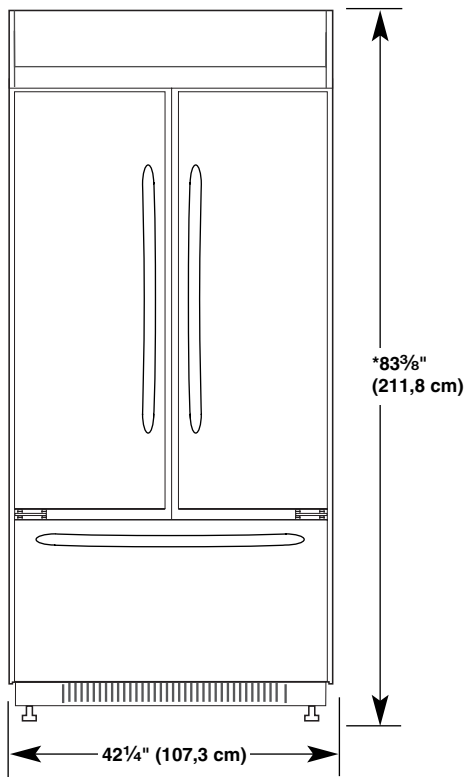
- Les dimensions de largeur ont été mesurées d'un bord à l'autre de la garniture extérieure.
- Les dimensions de hauteur indiquées correspondent à la situation où les pieds de nivellement sont déployés de  $\frac{1}{8}$ " (3 mm) au-dessous des roulettes.

#### Modèles de 36" (91,4 cm)



\*Lorsque les pieds de nivellement sont totalement déployés de  $1\frac{1}{4}$ " (3,2 cm) au-dessous des roulettes, ajouter  $1\frac{1}{8}$ " (2,9 cm) à la hauteur totale.

## Modèles de 42" (106,7 cm)



\*Lorsque les pieds de nivellement sont totalement déployés de  $1\frac{1}{4}"$  (3,2 cm) au-dessous des roulettes, ajouter  $1\frac{1}{8}"$  (2,9 cm) à la hauteur totale.

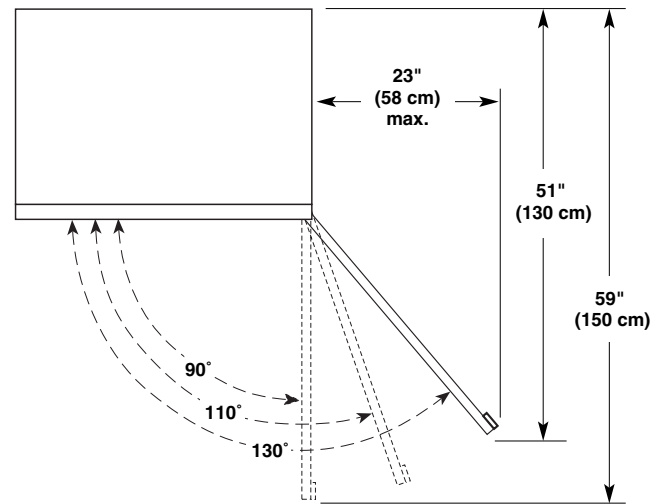
## Dimensions pour le pivotement des portes

L'emplacement d'installation doit permettre l'ouverture des deux portes à un angle minimal de 90°. Laisser un espace libre d'au moins  $4\frac{1}{2}"$  (11,4 cm) entre le côté du réfrigérateur et le mur formant l'angle.

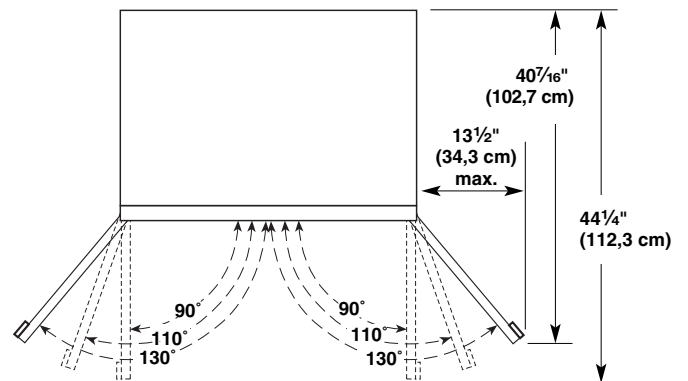
**REMARQUE :** Un dégagement plus grand peut être nécessaire si vous utilisez des panneaux décoratifs ou des poignées personnalisées.

Pour ajuster l'ouverture des portes, voir "Ajustement de la/des portes".

## Modèles de 36" (91,4 cm)

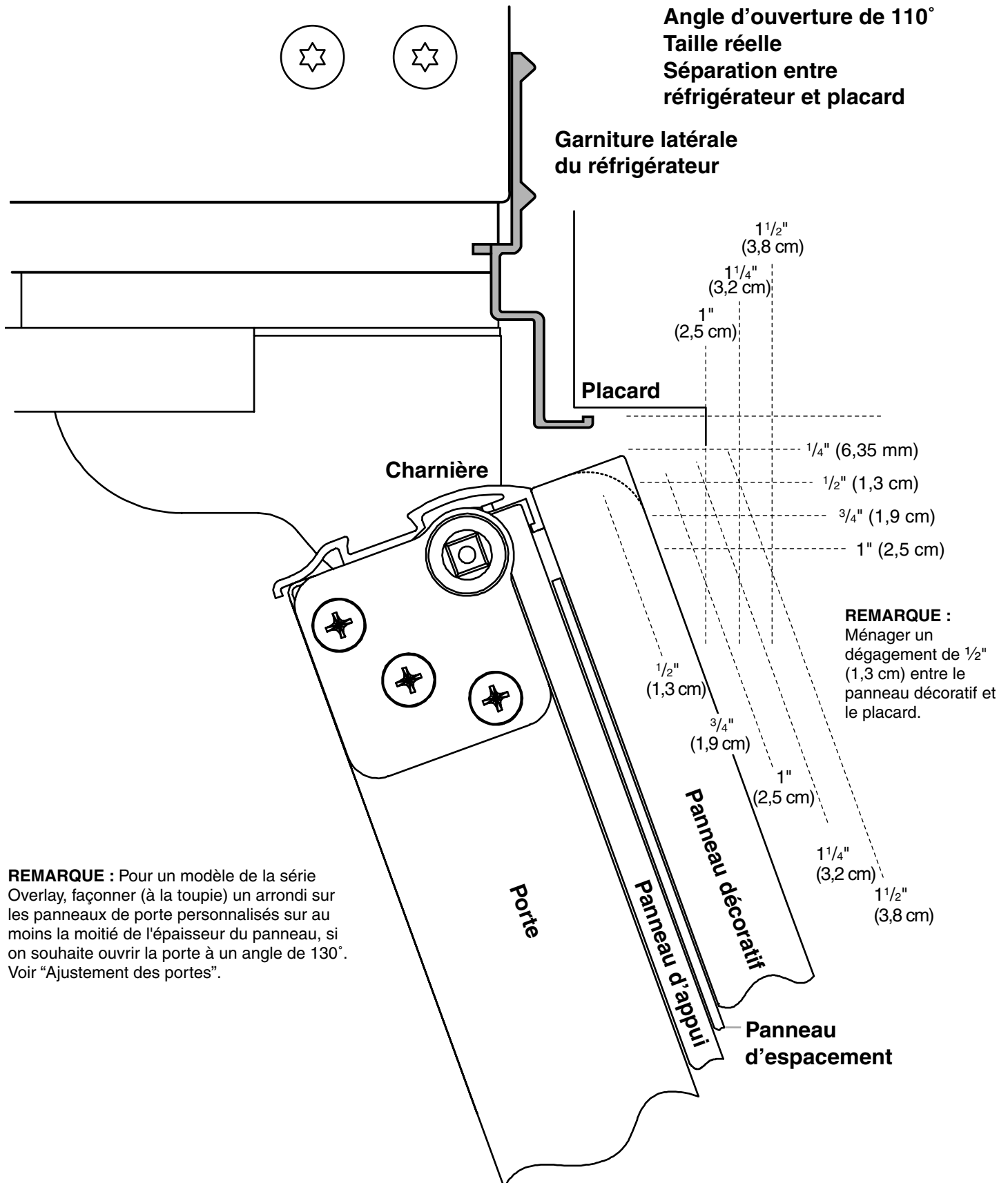


## Modèles de 42" (106,7 cm)



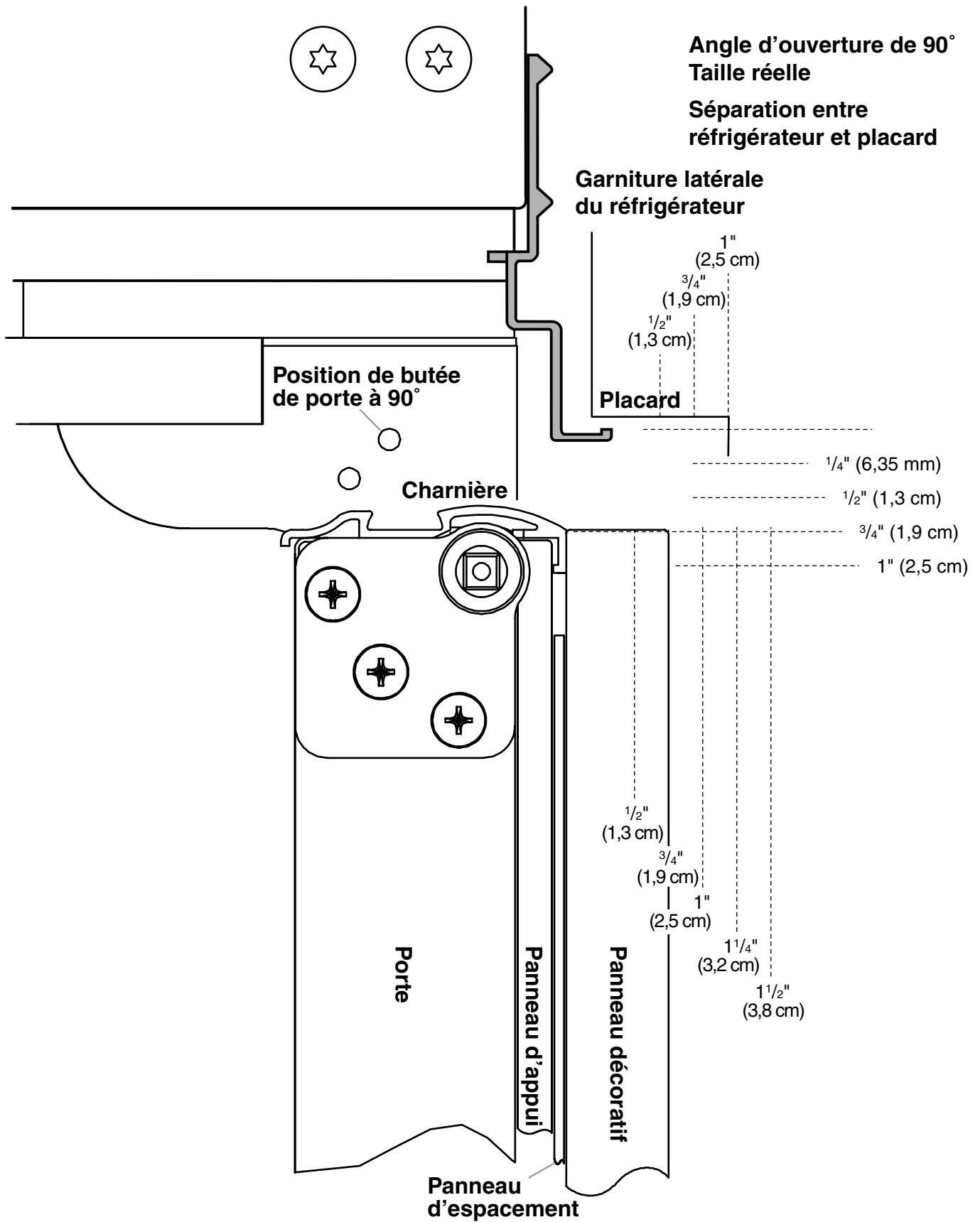
## Série Overlay - Panneau de porte et placard – dimensions et espace libre (modèles de 36" [91,4 cm])

Lors de la conception des panneaux de porte personnalisés et des placards adjacents, on doit veiller à ménager l'espace libre suffisant pour la manœuvre d'ouverture des portes. Si le réfrigérateur doit être installé à proximité du mur, voir à la page suivante "Ouverture de la porte à 90°".



**REMARQUE :** Pour un modèle de la série Overlay, façonner (à la toupie) un arrondi sur les panneaux de porte personnalisés sur au moins la moitié de l'épaisseur du panneau, si on souhaite ouvrir la porte à un angle de 130°. Voir "Ajustement des portes".

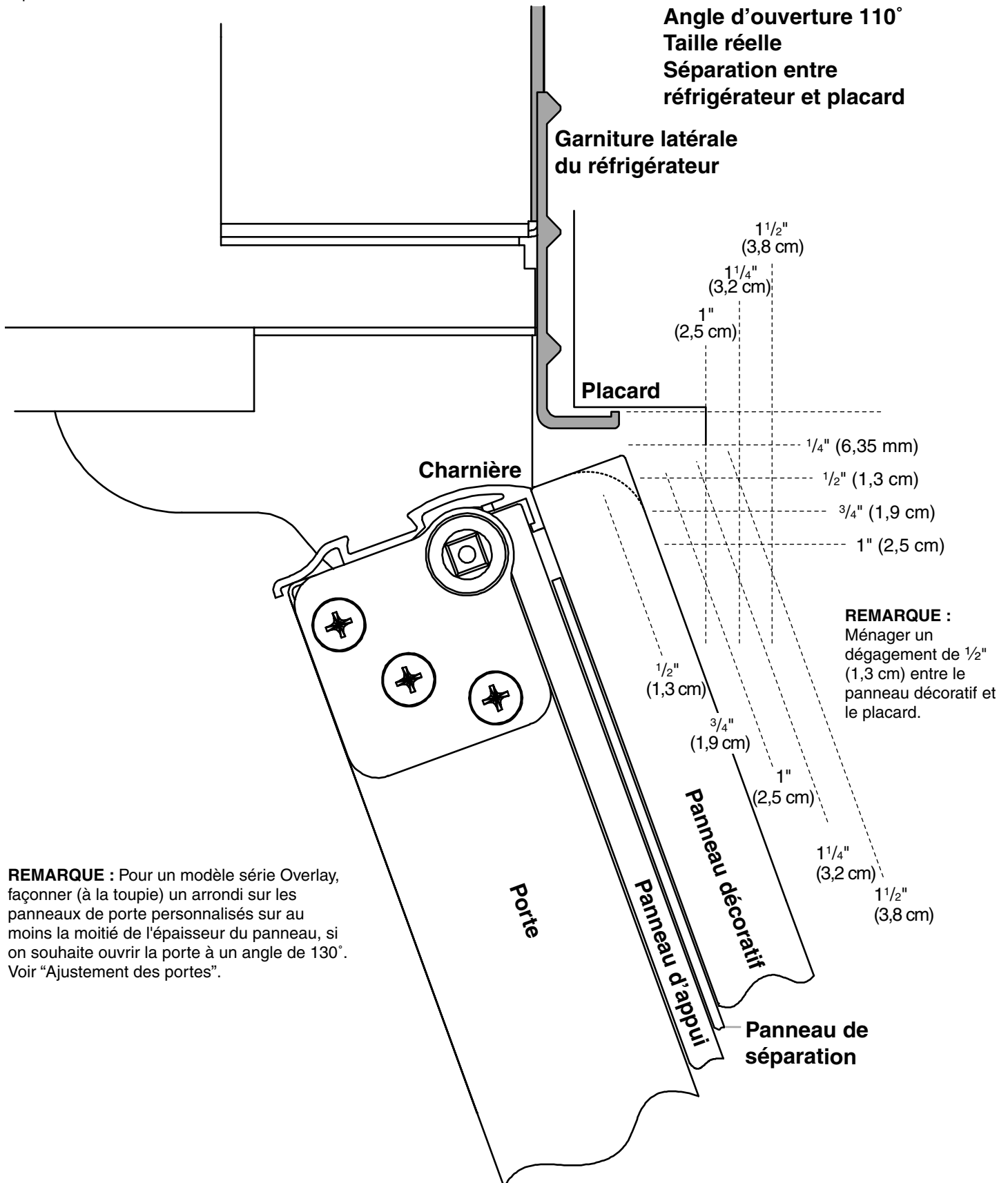
Lorsque les portes sont fermées, la surface frontale du réfrigérateur sera légèrement en saillie par rapport aux placards adjacents.



Prévoir un espacement d'au moins 4 1/2" (11,4 cm) entre le côté du réfrigérateur et un mur d'angle. Un espace libre plus grand peut être nécessaire dans le cas de l'utilisation de panneaux personnalisés plus épais ou de poignées personnalisées. Tenir compte également des plinthes.

## Série Overlay - Panneau de porte et placard – dimensions et espace libre (modèles de 42" [106,7 cm])

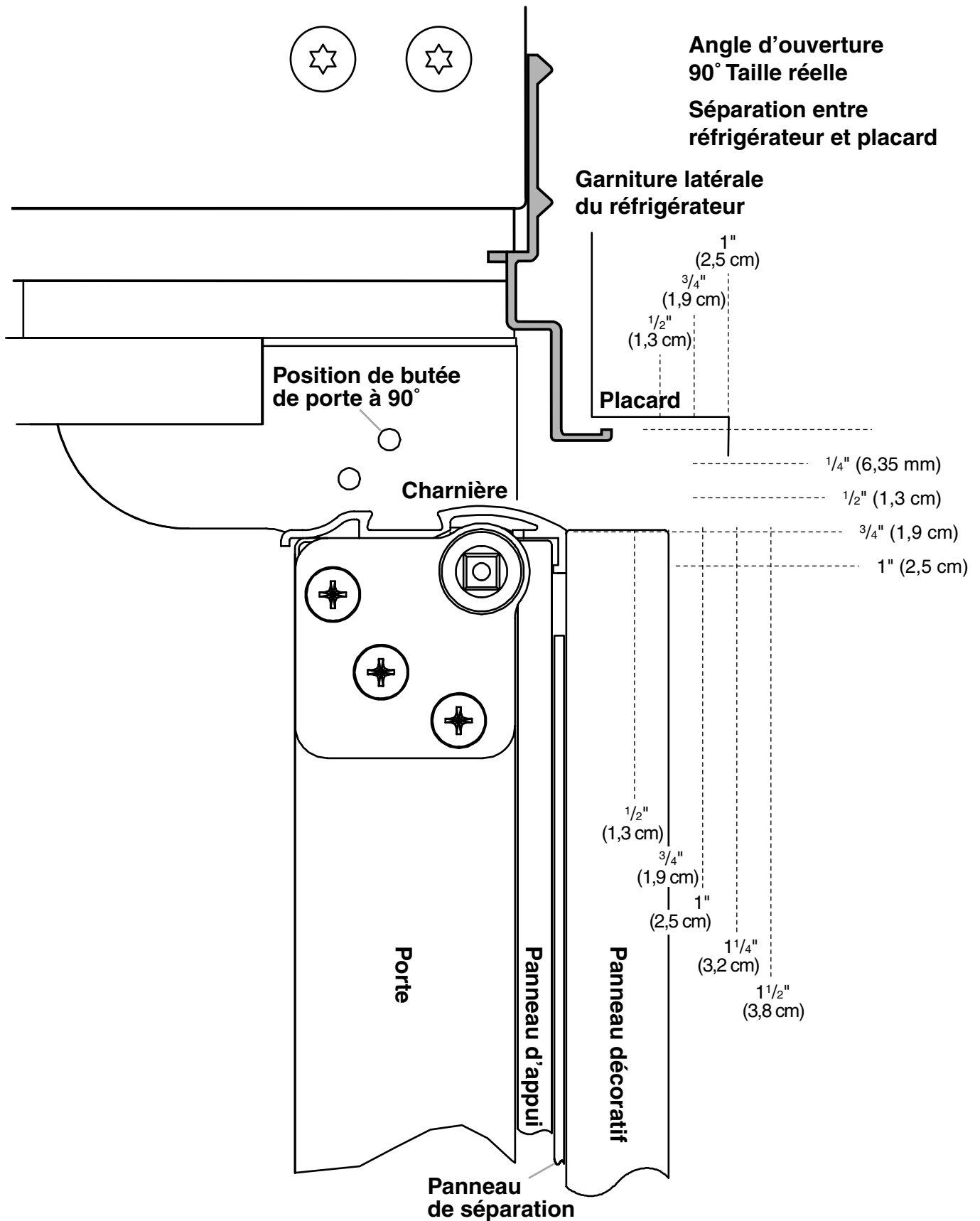
Lors de la conception des panneaux de porte personnalisés et des placards adjacents, on doit veiller à ménager l'espace libre suffisant pour la manœuvre d'ouverture des portes. Si le réfrigérateur doit être installé à proximité du mur, voir à la page suivante "Ouverture de la porte à 90°"



**REMARQUE :** Pour un modèle série Overlay, façonner (à la toupie) un arrondi sur les panneaux de porte personnalisés sur au moins la moitié de l'épaisseur du panneau, si on souhaite ouvrir la porte à un angle de 130°. Voir "Ajustement des portes".

Lorsque les portes sont fermées, la surface frontale du réfrigérateur sera légèrement en saillie par rapport aux placards adjacents.



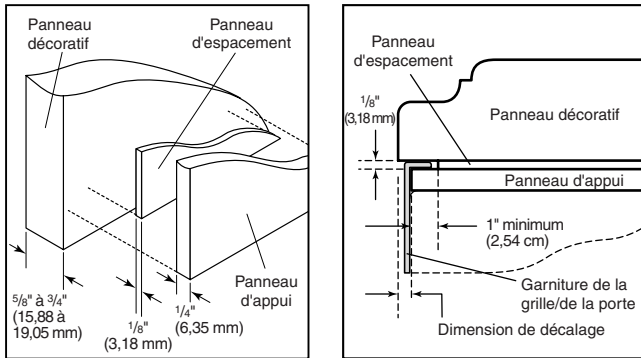


Prévoir un espacement d'au moins 4 1/2" (11,4 cm) entre le côté du réfrigérateur et un mur d'angle. Un espace libre plus grand peut être nécessaire dans le cas de l'utilisation de panneaux personnalisés plus épais ou de poignées personnalisées. Tenir compte également des plinthes.

## Panneaux personnalisés de la série Overlay

Les panneaux personnalisés vous permettent d'intégrer l'extérieur de votre réfrigérateur à l'ensemble du décor de la cuisine et d'utiliser des poignées personnalisées pour une plus grande souplesse de design.

Les panneaux personnalisés doivent être munis de panneaux de soutien pour pouvoir être installés sur le réfrigérateur. La façon la plus courante est d'utiliser trois panneaux, tel qu'illustré ci-dessous : un panneau décoratif, une plaque d'espacement de  $\frac{1}{8}$ " (3,18 mm) ou des tringles d'espacement et un panneau de soutien de  $\frac{1}{4}$ " (6,35 mm).



Dans certains cas, votre fabricant de placards choisira peut-être de travailler avec un panneau usiné aux différentes dimensions. Suivre ces instructions pour les dimensions et l'emplacement des panneaux pour s'assurer que les panneaux décoratifs conviendront bien.

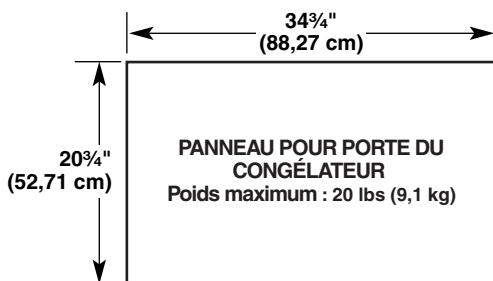
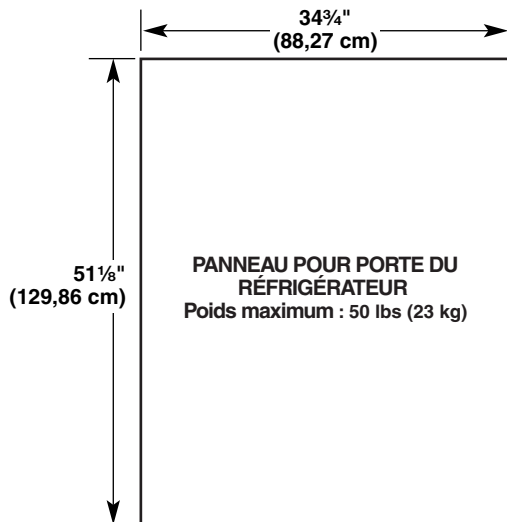
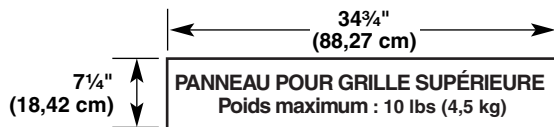
### IMPORTANT :

- Pour les modèles de 36" (91,4 cm), le panneau décoratif de la porte du réfrigérateur ne doit pas excéder 50 lb (23 kg) et le panneau décoratif du tiroir du congélateur ne doit pas excéder 20 lb (9,1 kg).
- Pour les modèles de 42" (106,7 cm), le panneau décoratif de la porte du réfrigérateur ne doit pas excéder 30 lb (13,5 kg) et le panneau décoratif du tiroir du congélateur ne doit pas excéder 25 lb (11,4 kg).
- Pour les deux modèles, le poids du panneau décoratif de la grille supérieure ne doit pas excéder 10 lb (4,5 kg).

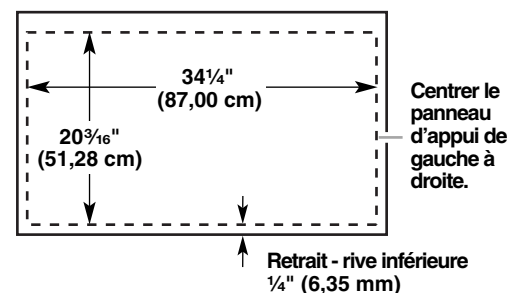
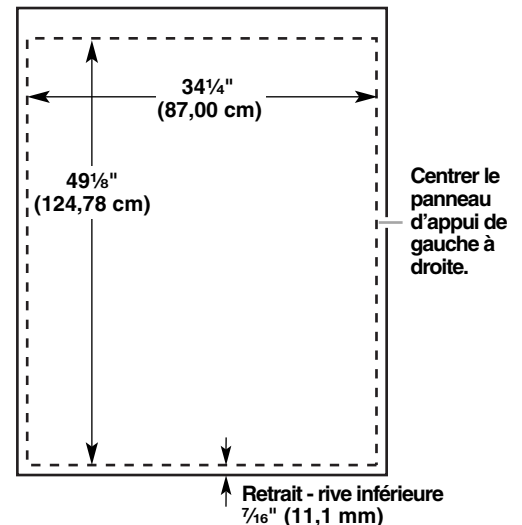
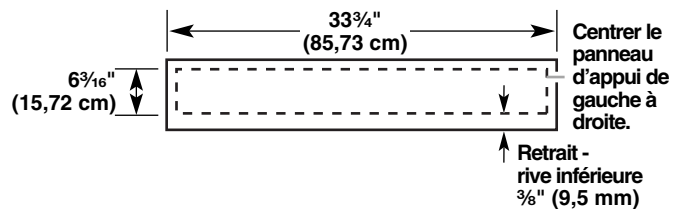
Pour minimiser le poids du panneau, vous pouvez utiliser des tringles d'espacement de 2" (5,08 cm) sur le périmètre à la place d'une plaque d'espacement massive. Les tringles d'espacement doivent être installées à au moins 1" (2,54 cm) des rives supérieure, inférieure et latérales du panneau de soutien. Si on utilise des tringles d'espacement, il est aussi recommandé d'utiliser 2 tringles de 2" (5,08 cm) centrées horizontalement pour un soutien additionnel.

## Panneaux personnalisés - Dimensions

### Panneaux personnalisés Overlay (modèles de 36" [91,4 cm])

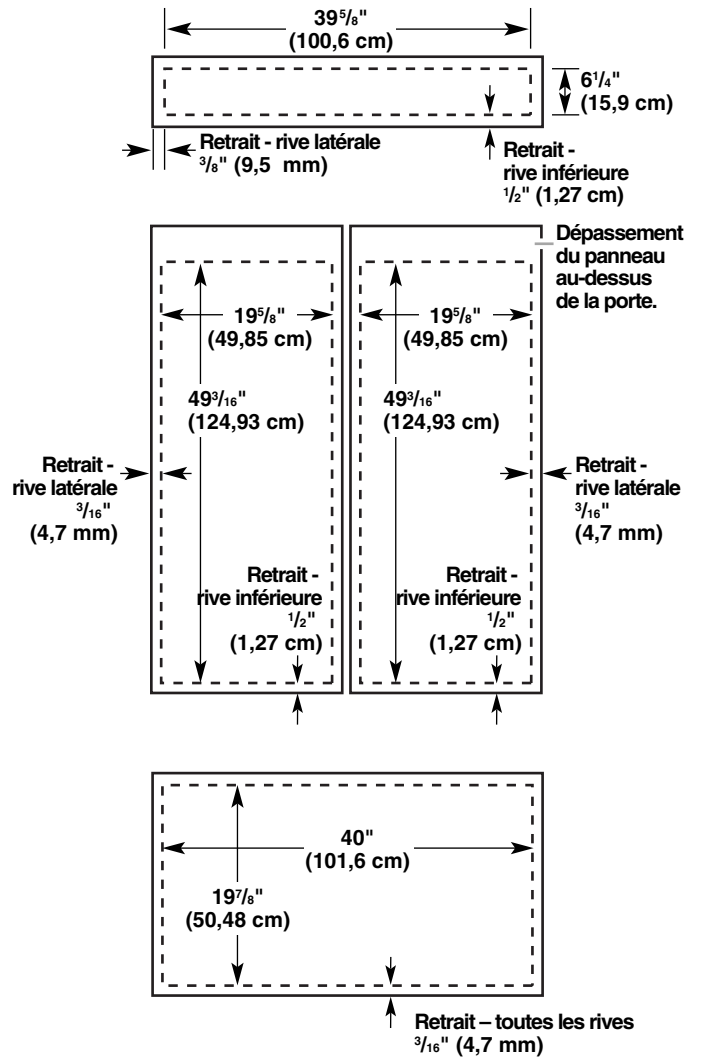
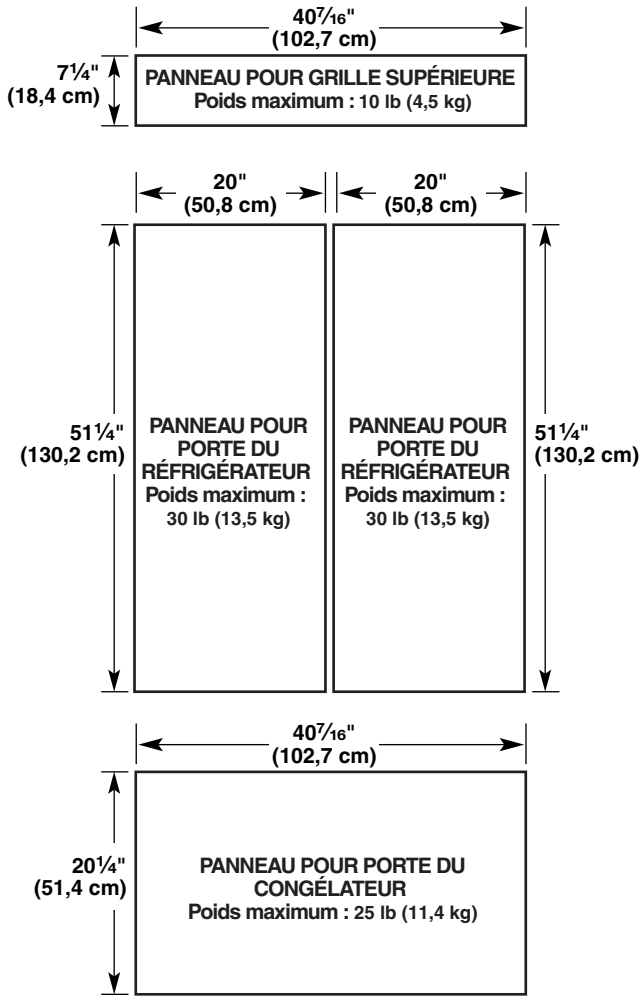


### Panneaux d'appui personnalisés (modèles de 36" [91,4 cm])



**Panneaux personnalisés Overlay (modèles de 42" [106,7 cm])**

**Panneaux d'appui personnalisés (modèles de 42" [106,7 cm])**

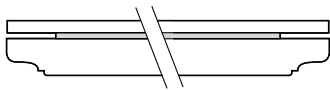


**Panneaux de séparation (Tous modèles)**

**REMARQUE :** Les rives d'un panneau de séparation doivent être situées à au moins 1" (2,54 cm) en retrait par rapport aux rives du panneau d'appui.

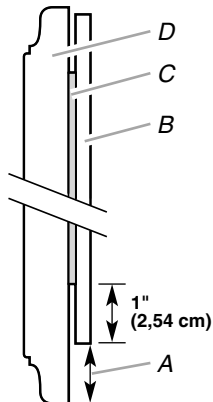
**Configuration pour panneau Overlay de grille à 3 composants**

**Vue de dessus**

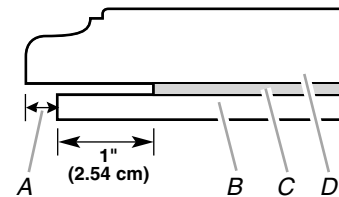


- A. Distance de retrait
- B. Panneau d'appui de 1/4" (6,25 mm)
- C. Panneau de séparation 1/8" (3,18 mm)
- D. Panneau décoratif Overlay de 3/4" (1,92 mm)

**Vue latérale**



**Configuration pour panneau Overlay de porte à 3 composants**



- A. Distance de retrait
- B. Panneau d'appui de 1/4" (6,25 mm)
- C. Panneau de séparation 1/8" (3,18 mm)
- D. Panneau décoratif Overlay de 3/4" (1,92 mm)

**Configuration pour panneau Overlay monopièce**

Dans certains cas, l'ébéniste peut préférer travailler avec un unique panneau usiné conformément aux différentes dimensions. Tenir compte des dimensions de ces panneaux et appliquer les instructions de pose; veiller au bon ajustement des panneaux Overlay personnalisés.

## Ensembles de panneaux d'origine de la série Classic, Architect® et Overlay (modèles de 36" [91,4 cm])

Toutes les pièces d'origine sont disponibles par l'entremise de votre marchand KitchenAid ou en téléphonant à Pièces et accessoires KitchenAid au **1-800-442-9991**. Au Canada, téléphoner au **1-800-807-6777**.

### Ensemble de la grille supérieure 72" (183 cm) pour la série Architect®

Un ensemble de panneaux de la grille supérieure de 72" (183 cm) de large sont disponibles. Cet ensemble permet l'installation côte à côte de 2 réfrigérateurs (l'un à ouverture vers la gauche et l'autre vers la droite) avec une seule grille.

<b>Couleur</b>	<b>72" (183 cm)</b>
Acier inoxydable (Série Architect®)	n° W10153554

### Ensembles de poignées de porte prolongées

Utiliser les poignées de porte prolongées lorsqu'un écart additionnel pour les doigts est requis entre les poignées de porte et le panneau personnalisé. Suivre les instructions de l'ensemble pour l'installation des poignées de porte.

Couleur	Ouverture vers la gauche	Ouverture vers la droite
Blanc (Série Classic)	n° 4396119	n° 8171424
Noir (Série Classic)	n° 4396116	n° 8171427
Acier inoxydable (Série Classic)	n° 4396118	n° 8171425
Aluminium mat gravé (Série Classic)	n° 4396120	n° 8171423
Aluminium mat (Série Overlay)	n° 4396718	

## Panneaux personnalisés de la série Classic (modèles de 36" [91,4 cm])

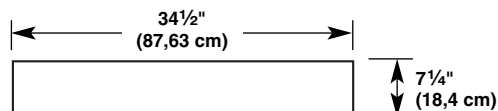
Si vous prévoyez installer des panneaux personnalisés en bois, vous devez les créer vous-même ou consulter un ébéniste ou menuisier qualifié. Voir les dessins dimensionnels pour les spécifications des panneaux.

**IMPORTANT :** Des panneaux de poids supérieur au poids recommandé risquent d'endommager le réfrigérateur.

**REMARQUE :** Les dimensions indiquées ont une tolérance de  $(\pm) \frac{1}{16}$ " (1,5 mm). Les panneaux dont l'épaisseur est supérieure à  $\frac{1}{4}$ " (6,35 mm) doivent faire l'objet d'un usinage. Si l'épaisseur des panneaux est inférieure à  $\frac{1}{4}$ " (6,35 mm), installer un panneau de remplissage entre la porte et la panneau décoratif.

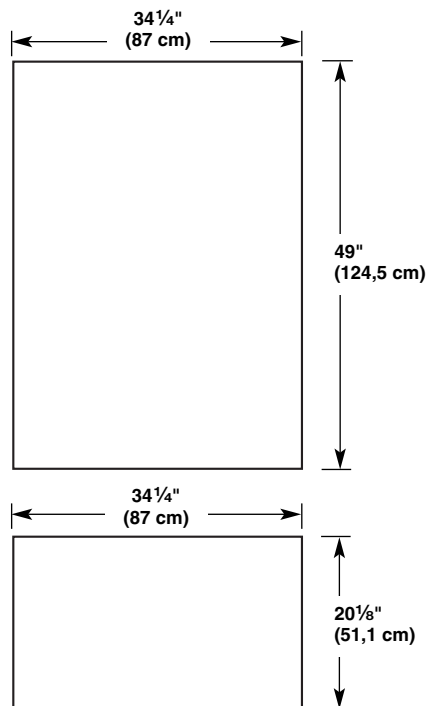
### Panneau de la grille supérieure

Le panneau supérieur ne doit pas peser plus de 10 lb (4,5 kg).



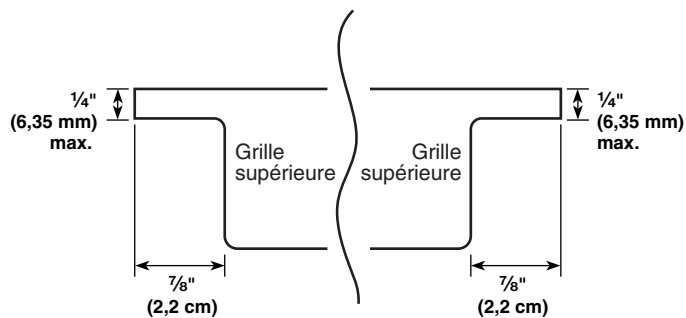
## Panneaux du réfrigérateur et du congélateur

Le panneau du congélateur ne doit pas peser plus de 20 lb (9,1 kg). Le panneau du réfrigérateur ne doit pas peser plus de 50 lb (22 kg).

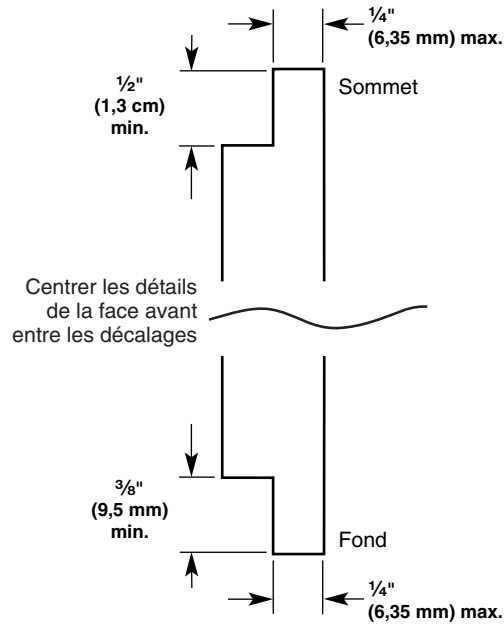


### Exigences d'usinage du panneau de la grille supérieure

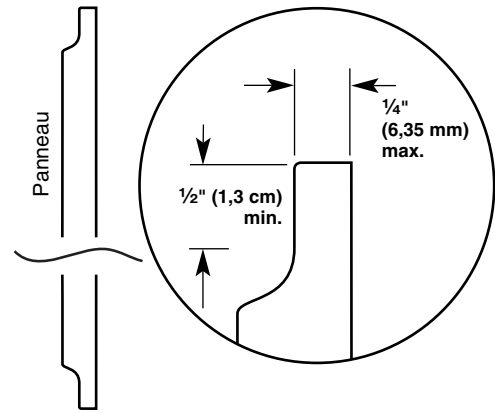
Si l'épaisseur du panneau personnalisé est supérieure à  $\frac{1}{4}$ " (6,35 mm), les rives supérieure et inférieure du panneau supérieur doivent être usinées de  $\frac{1}{2}$ " (1,3 cm) et  $\frac{3}{8}$ " (9,5 mm), respectivement. Les deux extrémités doivent être usinées sur les rives de  $\frac{7}{8}$ " (2,2 cm) - voir l'illustration.



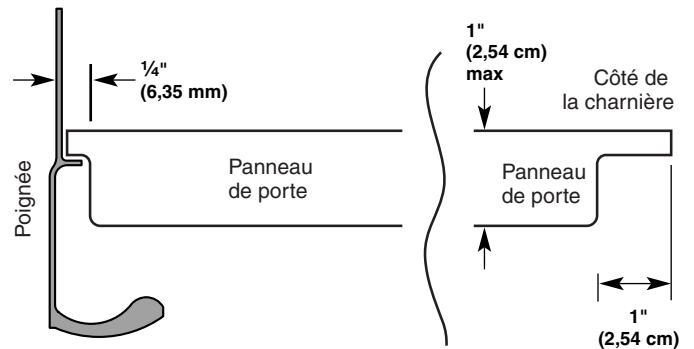
**REMARQUE :** Lors de la création d'un panneau orné en façade, les décalages seront dissimulés et il faut en tenir compte pour centrer le détail dans la grille supérieure.



### Panneau de porte - Vue latérale



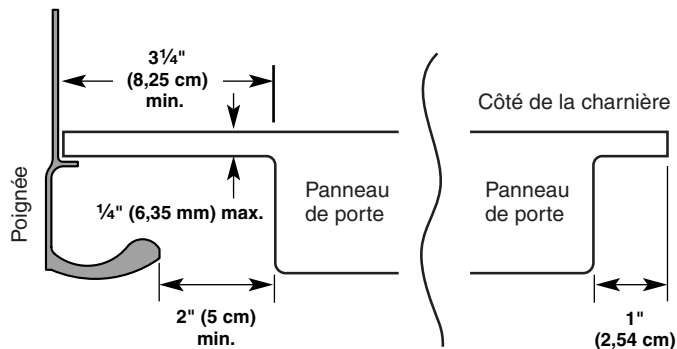
### Poignée de porte prolongée - Vue supérieure



### Exigences d'usinage des panneaux de porte

Si l'épaisseur des panneaux personnalisés est supérieure à 1/4" (6,35 mm), toutes les rives du panneau doivent être usinées. Si on utilise la poignée standard, usiner sur toute sa longueur le côté poignée des deux panneaux de 3 1/4" (8,25 cm) en prévision d'un dégagement pour les doigts. Puis usiner le côté charnière du panneau de réfrigérateur de 1" (2,54 cm). Usiner les deux côtés du panneau de congélateur de 1" (2,54 cm).

### Poignée standard - Vue supérieure



En cas d'utilisation d'une poignée de porte prolongée, usiner le côté poignée de 1/4" (6,35 mm). Toutes les autres dimensions d'usinage resteront identiques à celles utilisées avec la poignée standard. Vérifier que l'emplacement du produit permettra aux portes avec poignées de porte prolongées de s'ouvrir à 90 degrés. Voir "Dimensions pour le pivotement des portes".

Pour plus de renseignements sur la commande de poignées de porte prolongées, voir "Ensembles de panneaux d'origine - séries Classic".

**REMARQUE :** Pour les deux types de poignées, usiner les rives supérieure et inférieure du panneau de réfrigérateur de 1/2" (1,27 cm). Usiner la partie inférieure du panneau de congélateur de 1/2" (1,27 cm).

## Panneaux latéraux personnalisés des séries Classic et Architect®

Des panneaux latéraux personnalisés peuvent être nécessaires lorsqu'il n'y a pas suffisamment d'espace pour avoir des placards des deux côtés du réfrigérateur ou lorsque le réfrigérateur est placé à l'extrémité d'une enfilade de placards. Vous avez le choix d'installer un panneau inséré, en affleurement ou inséré en retrait.

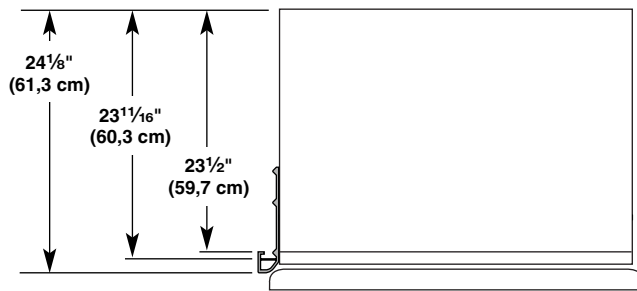
### Dimensions du réfrigérateur et des garnitures latérales

La largeur et la hauteur du panneau latéral sont déterminées en fonction du type d'installation prévu.

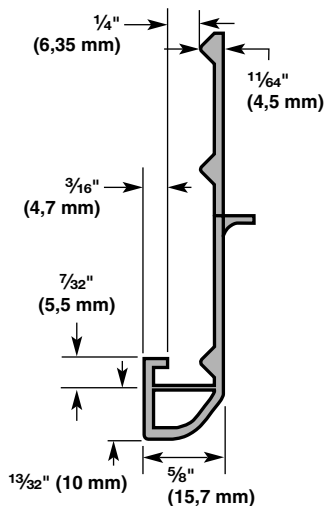
#### REMARQUES :

- Les dimensions indiquées sont les dimensions réelles du produit et peuvent ne pas refléter les dimensions nécessaires d'installation des panneaux.
- Le panneau latéral doit avoir une épaisseur minimale d'au moins 1/2" (1,27 cm) pour éviter le gauchissement.
- Si la profondeur de l'ouverture est de 25" (63,5 cm) ou plus, vous voudrez peut-être installer une tringle d'appui sur le mur arrière.

## Réfrigérateur

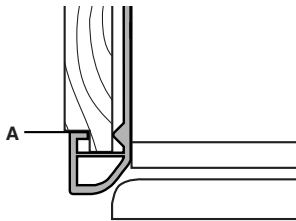


## Garnitures latérales



### Dimensions pour un panneau inséré

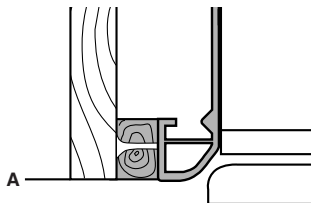
1. Mesurer la distance du point A (tel qu'illustré) à la paroi arrière. Ajouter  $\frac{7}{32}$ " (5,6 mm) à cette mesure pour que le panneau latéral entre dans la garniture.



2. Si le panneau a plus de  $\frac{1}{4}$ " (6,35 mm) d'épaisseur, usiner la rive avant pour que l'insertion du panneau latéral soit possible.

### Dimensions pour un panneau en affleurement

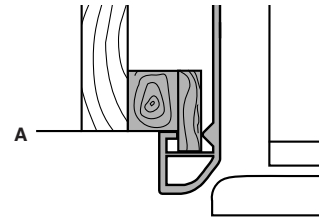
1. Mesurer la distance du point A (tel qu'illustré) à la paroi arrière.



2. Fixer la tringle d'appui avec une vis ou un adhésif compatible avec l'aluminium et le bois.

### Dimensions pour un panneau inséré en retrait

1. Mesurer la distance du point A (tel qu'illustré) à la paroi arrière.



2. Usiner la rive avant de la tringle d'appui ou installer une planchette de  $\frac{1}{4}$ " (6,35 mm) pour la rétention du panneau dans la garniture latérale de la caisse.

## Panneaux latéraux personnalisés de la série Overlay

Des panneaux latéraux personnalisés peuvent être nécessaires lorsqu'il n'y a pas suffisamment d'espace pour avoir des placards des deux côtés du réfrigérateur ou lorsque le réfrigérateur est placé à l'extrémité d'une enfilade de placards. Vous avez le choix d'installer un panneau inséré ou inséré en retrait.

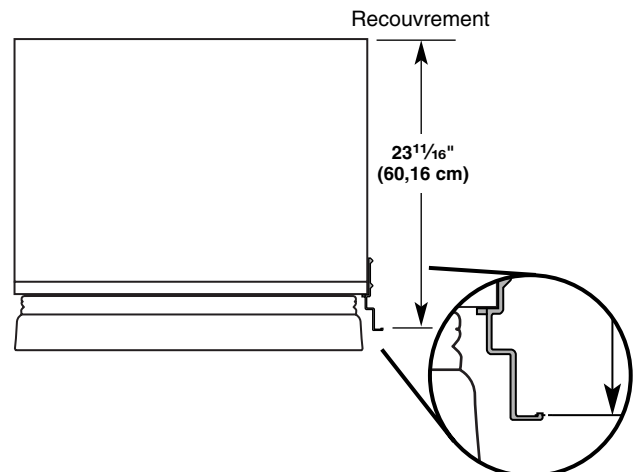
### Dimensions du réfrigérateur et des garnitures latérales

La largeur et la hauteur du panneau latéral sont déterminées en fonction du type d'installation prévu.

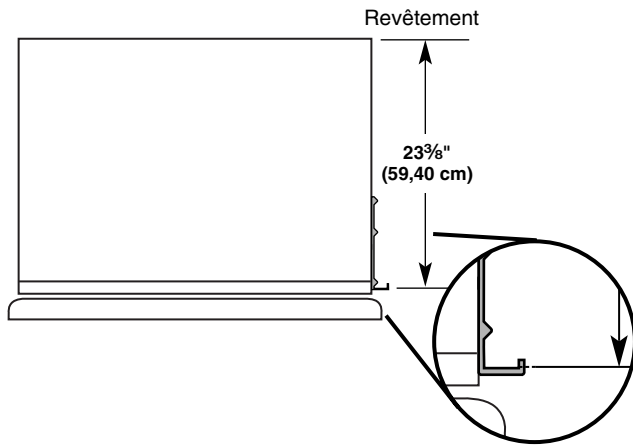
#### REMARQUES :

- Les dimensions indiquées sont les dimensions réelles du produit et peuvent ne pas refléter les dimensions nécessaires d'installation des panneaux.
- Le panneau latéral doit avoir une épaisseur minimale d'au moins  $\frac{1}{2}$ " (1,27 cm) pour éviter le gauchissement.
- Si la profondeur de l'ouverture est de 25" (63,5 cm) ou plus, vous voudrez peut-être installer une tringle d'appui sur le mur arrière.

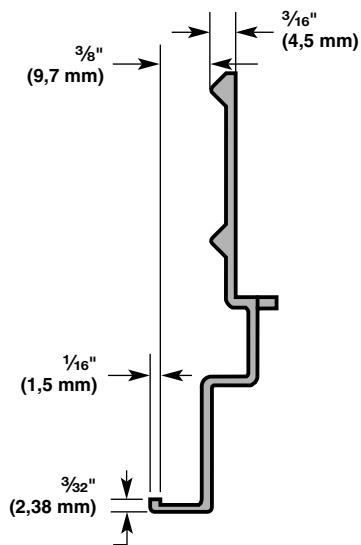
### Réfrigérateur (modèles de 36" [91,4 cm])



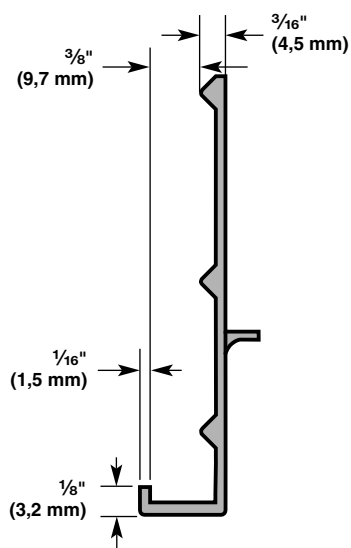
## Réfrigérateur (modèles de 42" [106,7 cm])



## Garnitures latérales (modèles de 36" [91,4 cm])



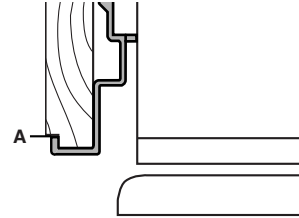
## Garnitures latérales (modèles de 42" [106,7 cm])



## Dimensions pour un panneau inséré

### Modèles de 36" (91,4 cm)

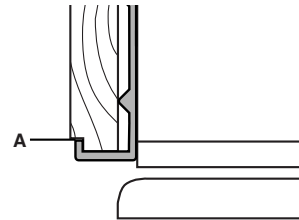
1. Mesurer la distance du point A (tel qu'illustré) à la paroi arrière. Ajouter  $\frac{1}{32}$ " (0,8 mm) à cette mesure pour que le panneau latéral entre dans la garniture.



2. Si le panneau a plus de  $\frac{3}{8}$ " (9,5 mm) d'épaisseur, usiner la rive avant du panneau latéral pour que l'insertion dans la garniture soit possible.

### Modèles de 42" (106,7 cm)

1. Mesurer la distance du point A (tel qu'illustré) à la paroi arrière. Ajouter  $\frac{1}{32}$ " (0,8 mm) à cette mesure pour que le panneau latéral entre dans la garniture.

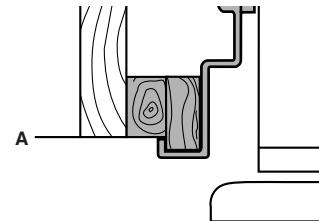


2. Si le panneau a plus de  $\frac{3}{8}$ " (9,5 mm) d'épaisseur, usiner la rive avant du panneau latéral pour que l'insertion dans la garniture soit possible.

## Dimensions pour un panneau inséré en retrait

### Modèles de 36" (91,4 cm)

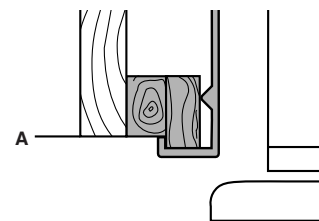
1. Mesurer la distance du point A (tel qu'illustré) à la paroi arrière.



2. Usiner la rive avant de la tringle d'appui ou installer une planchette de  $\frac{3}{8}$ " (9,5 mm) pour la rétention du panneau dans la garniture latérale de la caisse.

### Modèles de 42" (106,7 cm)

1. Mesurer la distance du point A (tel qu'illustré) à la paroi arrière.



2. Usiner la rive avant de la tringle d'appui ou installer une planchette de  $\frac{3}{8}$ " (9,5 mm) pour la rétention du panneau dans la garniture latérale de la caisse.

# INSTRUCTIONS D'INSTALLATION

## Déballage du réfrigérateur

### **⚠ AVERTISSEMENT**



#### Risque de basculement

**Le réfrigérateur est lourd au sommet et bascule facilement lorsqu'il n'est pas complètement installé.**

**Garder les portes fermées avec un ruban adhésif jusqu'à l'installation complète du réfrigérateur.**

**Utiliser deux ou plus de personnes pour déplacer et installer le réfrigérateur.**

**Le non-respect de ces instructions peut causer un décès ou une blessure grave.**

#### IMPORTANT :

- Ne pas ôter la pellicule avant que le réfrigérateur ne soit à la position de service.
  - Les quatre pieds de réglage de l'aplomb doivent toucher le plancher pour supporter et stabiliser le poids total du réfrigérateur.
  - Garder la pièce de carton ou de contreplaqué d'expédition sous le réfrigérateur jusqu'à son installation à l'emplacement de service.
1. Retirer et conserver le sachet de documents fixé à l'aide de ruban adhésif sur le côté du réfrigérateur et le sachet de pièces derrière la grille. Enlever les quatre brides (deux de chaque côté) fixant la base utilisée pour l'expédition au bas du réfrigérateur.  
**REMARQUE :** Ne pas enlever les rubans adhésifs et articles d'arrimage des portes avant que le réfrigérateur ne soit placé à sa position finale.
  2. Si nécessaire, réduire le rayon de basculement. Au sujet des critères à respecter pour la hauteur sous plafond, voir "Rayon de basculement", ou voir les instructions détaillées à la section "Réduction du rayon de basculement". S'il n'est pas nécessaire de réduire le rayon de basculement, passer à la section "Faire entrer le réfrigérateur dans le domicile".

## Réduction du rayon de basculement

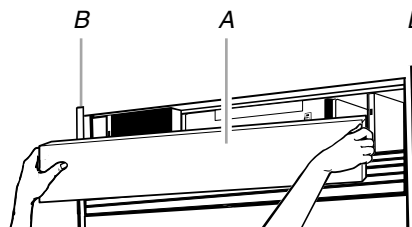
(si nécessaire)

Avant d'apporter le réfrigérateur dans le domicile, s'assurer que la hauteur du plafond est suffisante pour mettre le réfrigérateur en position verticale. Voir "Réduction du rayon de basculement" dans la section "Conditions d'installation" pour plus d'information.

Si vous n'avez pas une hauteur de plafond suffisante pour mettre le réfrigérateur en position verticale, le rayon de basculement peut être réduit en enlevant la grille supérieure et les garnitures latérales (voir le tableau suivant).

Modèle	Rayon de basculement réduit
36	88" (223,5 cm)
42	88½" (224,8 cm)

1. Saisir les deux extrémités de la grille supérieure.
2. Pousser la grille tout droit vers le haut, puis tout droit vers l'extérieur. Poser la grille supérieure sur une surface molle.



A. Grille supérieure

B. Garniture latérale de la caisse

3. Enlever les 6 vis qui fixent chaque garniture latérale de la caisse au réfrigérateur et enlever les garnitures latérales.

## Faire entrer le réfrigérateur dans le domicile

### **⚠ AVERTISSEMENT**



#### Risque de basculement

**Le réfrigérateur est lourd au sommet et bascule facilement lorsqu'il n'est pas complètement installé.**

**Garder les portes fermées avec un ruban adhésif jusqu'à l'installation complète du réfrigérateur.**

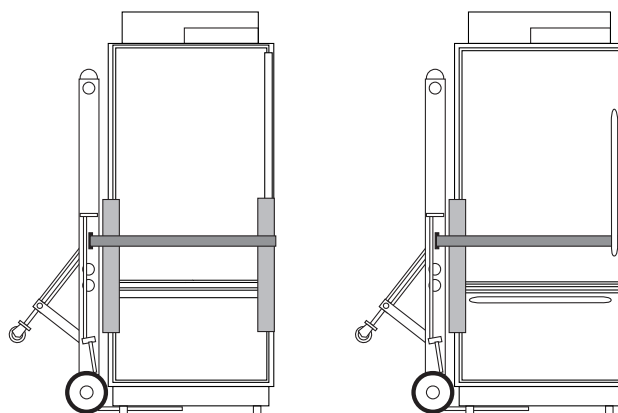
**Utiliser deux ou plus de personnes pour déplacer et installer le réfrigérateur.**

**Le non-respect de ces instructions peut causer un décès ou une blessure grave.**

1. Introduire le chariot sous le réfrigérateur, côté gauche comme sur l'illustration. Veiller à protéger les garnitures latérales et les poignées. À cette fin, placer les cornières de l'emballage par-dessus les garnitures et poignées. Serrer prudemment la sangle.

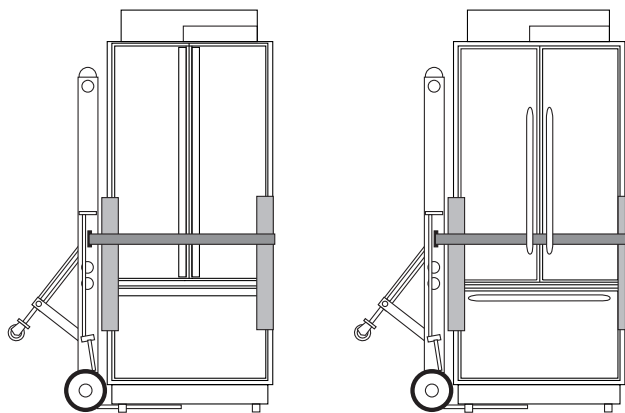
**REMARQUE :** Faire passer la sangle du chariot sous les poignées.

#### Modèles de 36" (91,4 cm)

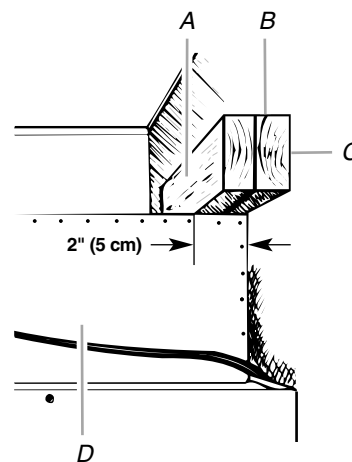




## Modèles de 42" (106,7 cm)



- Placer des pièces de carton d'expédition sur le plancher lorsqu'on utilise un chariot pour faire entrer le réfrigérateur dans le domicile. Déplacer le réfrigérateur près de la cavité d'encastrement.
- Placer une feuille de carton ou de contreplaqué sous le réfrigérateur.
- Mettre le réfrigérateur en position verticale. Placer d'abord le bord inférieur gauche du réfrigérateur sur le plancher, puis mettre le réfrigérateur debout et abaisser ensuite le côté droit du réfrigérateur sur le plancher.
- Ne pas enlever la pellicule protectrice ou le carton.
- Réinstaller la garniture et la grille supérieure après avoir retiré le chariot du réfrigérateur.



- A. Centrer la planche à un maximum de ¼" (6,35 mm) au-dessus du réfrigérateur  
 B. Deux planches de 2" x 4" x 32" (5 cm x 10 cm x 81 cm)  
 C. Fixer aux poteaux avec 6 vis n° 8 x 3" (7,6 cm)  
 D. Couvercle du compresseur

## Installation de planches antibasculement

### IMPORTANT :

- Pour éviter le basculement pendant l'utilisation, le soffite massif doit se trouver à 1" (2,5 cm) maximum au-dessus du réfrigérateur. Si le soffite massif se trouve à plus de 1" (2,5 cm) ou si aucun soffite n'est disponible, le réfrigérateur doit être arrimé.
- On recommande la mise en place d'une ou de plusieurs planches avant l'installation du réfrigérateur.
- Il faut que la ou les planche(s) soit(soient) assez longue(s) pour recouvrir complètement le couvercle du compresseur sur toute la largeur.
- Positionner la ou les planche(s) de telle manière que la surface inférieure soit à 84" (213 cm) du plancher.
- Durant l'installation, soulever le réfrigérateur pour que la distance résiduelle entre le sommet du réfrigérateur et la surface inférieure de la ou des planche(s) antibasculement soit de ¼" (6,35 mm) maximum. Veiller à ne pas écraser le couvercle du compresseur lors du soulèvement des pieds de réglage de l'aplomb arrière.

### Installation des planches antibasculement

- Marquer la position des poteaux de colombage sur le mur arrière à 80" à 90" (203 à 229 cm) au-dessus du plancher.
- Fixer solidement une ou deux planches de 2" x 4" x 32" (5 cm x 10 cm x 81 cm) sur les poteaux de colombage derrière le réfrigérateur. Utiliser 6 vis à bois n° 8 x 3" (7,6 cm) (ou plus longues). Les vis à bois doivent pénétrer dans les poteaux d'au moins 1½" (3,8 cm). La ou les planche(s) doit(doivent) être placée(s) en chevauchement sur le couvercle du compresseur.

## Raccordement à l'alimentation en eau

Lire toutes les instructions avant de commencer.

**IMPORTANT :** Si l'on doit mettre en marche le réfrigérateur avant que la canalisation d'eau ne soit connectée, placer la machine à glaçons à OFF (arrêt).

### Raccordement à la canalisation d'eau

#### Pièces nécessaires :

- Canalisation flexible d'alimentation en eau approuvée par les codes en vigueur de 7 pi (2,13 m) minimum

#### Style 1 – Connexion avec robinet d'arrêt

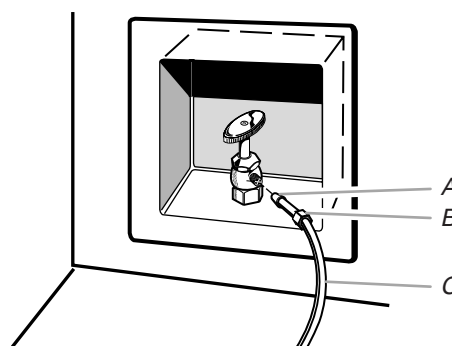
**REMARQUE :** Si le raccordement de la canalisation d'eau ne ressemble pas au Style 1, voir "Style 2 – Raccordement de la canalisation en cuivre".

- Débrancher le réfrigérateur ou déconnecter la source de courant électrique.

**IMPORTANT :** Avant de raccorder le tube au robinet d'arrêt, rincer la canalisation d'eau principale pour éliminer l'air et les débris qui s'y trouvent. Laisser s'écouler une quantité d'eau suffisante, jusqu'à ce qu'elle soit limpide. Le rinçage de la canalisation d'eau peut permettre d'éviter l'obstruction des filtres et/ou celle des robinets.

- Raccorder la canalisation flexible d'alimentation en eau approuvée par les codes en vigueur au robinet d'arrêt en enfilant l'écrou fourni sur le robinet d'arrêt, tel qu'illustré.

**REMARQUE :** Tel que recommandé, le robinet d'arrêt se trouve dans le placard latéral à l'illustration.



- A. Renflement  
 B. Écrou  
 C. Tuyau d'eau

- Placer l'extrémité du tube dans un seau et OUVRIER le robinet d'arrêt.
- Vérifier qu'il n'y a pas de fuites. Si des fuites sont identifiées, resserrer tous les écrous ou connexions concernés (y compris les connexions au niveau du robinet).

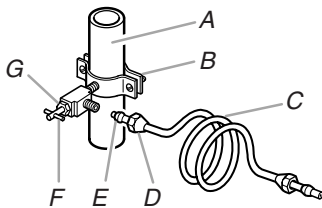
## Style 2 – Raccordement de la canalisation d'eau en cuivre

**REMARQUE :** S'il y a une canalisation d'alimentation en eau qui satisfait aux exigences de "Exigences d'alimentation en eau", passer à "Raccordement au réfrigérateur". Si ce n'est pas le cas, utiliser les instructions suivantes pour le raccordement à l'alimentation d'eau froide du domicile.

- Débrancher le réfrigérateur ou déconnecter la source de courant électrique.
- FERMER le robinet principal d'alimentation en eau. OUVRIER le robinet le plus proche pendant une période suffisante pour purger toute l'eau de la canalisation.
- Identifier une canalisation d'eau froide verticale de 1/2" à 1 1/4" (1,25 cm à 3,18 cm) à proximité du réfrigérateur.

### IMPORTANT :

- Vérifier qu'il s'agit d'une canalisation d'eau froide.
  - On peut aussi utiliser une canalisation horizontale; dans ce cas, on devra percer sur la face supérieure du tuyau et non pas au-dessous. Ceci permet de tenir la perceuse à l'écart de l'eau et d'empêcher les sédiments qu'on trouve normalement dans l'eau de s'accumuler dans le robinet d'arrêt.
- Déterminer la longueur de tube de cuivre à utiliser. Mesurer depuis le point de connexion (angle inférieur arrière gauche du réfrigérateur) à la canalisation d'eau. Ajouter 7 pi (2,1 m) pour permettre les opérations de nettoyage. Utiliser un tube en cuivre de 1/4" (6,35 mm) de diamètre extérieur. Veiller à ce que le tube soit coupé d'équerre aux deux extrémités.
  - À l'aide d'une perceuse sans fil, percer un trou de 1/4" (6,35 mm) dans la canalisation d'eau froide choisie.



A. Canalisation d'eau froide  
B. Bride de tuyau  
C. Tube en cuivre  
D. Écrou de compression  
E. Bague de compression  
F. Robinet d'arrêt  
G. Écrou de serrage

- Fixer le robinet d'arrêt sur la canalisation d'eau froide avec la bride de tuyau. Vérifier que l'extrémité du raccord du robinet est bien engagée dans le trou de 1/4" (6,35 mm) percé dans la canalisation et que la rondelle d'étanchéité se trouve sous la bride du tuyau. Serrer l'écrou de serrage. Serrer lentement et uniformément les vis fixant la bride de tuyau sur le tuyau afin d'assurer l'étanchéité du joint. Ne pas serrer excessivement.

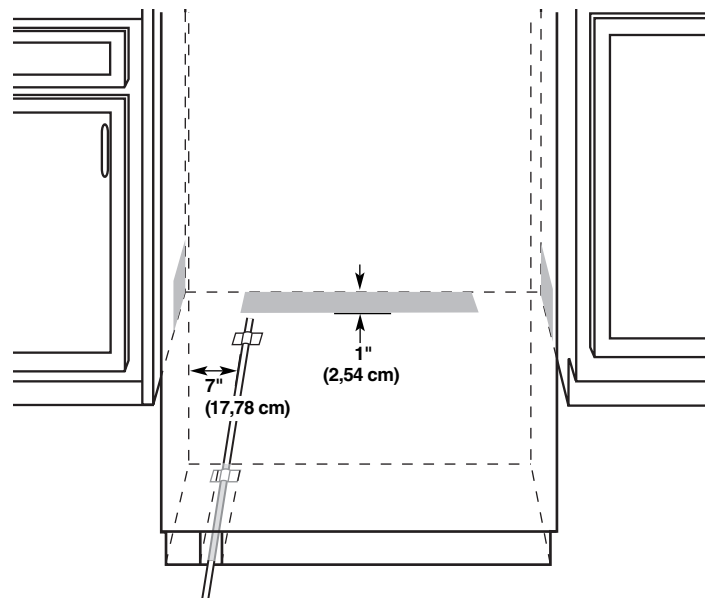
**IMPORTANT :** Avant de raccorder le tube au robinet d'arrêt, rincer la canalisation d'eau principale pour éliminer l'air et les débris qui s'y trouvent. Laisser s'écouler une quantité d'eau suffisante, jusqu'à ce qu'elle soit limpide. Le rinçage de la canalisation d'eau peut permettre d'éviter l'obstruction des filtres et/ou celle des robinets.

- Enfiler la bague et l'écrou de compression sur le tube en cuivre tel qu'illustré. Insérer l'extrémité du tube directement dans l'extrémité de sortie, aussi loin que possible. Visser l'écrou de compression sur l'extrémité de sortie du raccord à l'aide d'une clé à molette. Ne pas serrer excessivement la bride ou la bague. Ceci provoquera l'écrasement du tube de cuivre.
- Fermer le robinet d'arrêt de la canalisation d'eau. Lever le tube de cuivre.
- Raccorder la canalisation flexible d'alimentation en eau approuvée par les codes en vigueur au robinet d'arrêt en enfilant l'écrou fourni sur le robinet d'arrêt.
- Placer l'extrémité du tube dans un seau et OUVRIER le robinet d'arrêt.
- Inspecter pour rechercher des fuites au niveau du robinet d'arrêt à étrier. Si des fuites sont identifiées, resserrer tous les écrous ou connexions concernés (y compris les connexions au niveau du robinet).

## Raccordement au réfrigérateur

### Pièces fournies :

- Raccord mâle-mâle 1/4" - 1/4" (6,35 mm - 6,35 mm)



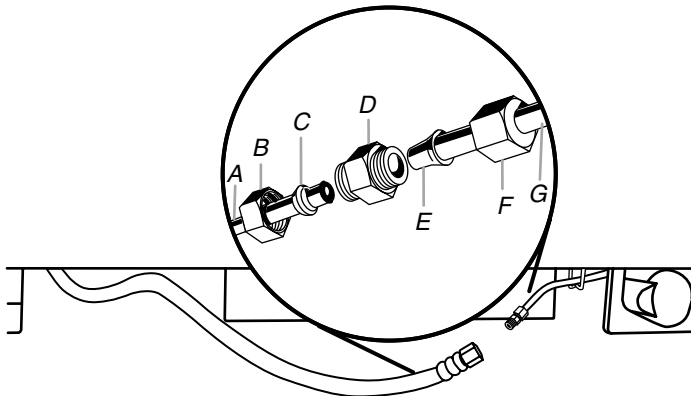
**REMARQUE :** La canalisation flexible d'alimentation en eau approuvée par les codes en vigueur peut être raccordée au robinet d'alimentation en eau par le plancher ou par les placards latéraux, tel qu'indiqué dans les encadrés gris ci-dessus.

- Débrancher le réfrigérateur ou déconnecter la source de courant électrique.
- Raccorder le tube flexible de 7 pi (2,13 m) approuvé par les codes en vigueur au robinet d'alimentation en eau.
- Rincer la canalisation d'alimentation en eau principale pour éliminer les particules et l'air présents dans la canalisation d'eau. Laisser s'écouler une quantité d'eau suffisante, jusqu'à ce qu'elle soit limpide.
- Avec du ruban adhésif, fixer la canalisation flexible d'alimentation en eau approuvée par les codes en vigueur de 7 pi (2,13 m) au plancher, à 7" (17,78 cm) du côté gauche du réfrigérateur. La fixer le long du tube avec du ruban adhésif; ceci lui permet ainsi de passer sous le réfrigérateur sans rencontrer d'obstacle.

**REMARQUE :** Laisser pendre un minimum de 26" (66,04 cm) de la canalisation flexible d'alimentation en eau approuvée par les codes en vigueur à l'avant du réfrigérateur pour le raccordement au réfrigérateur.

5. Raccorder la canalisation flexible d'alimentation en eau approuvée par les codes en vigueur de 7 pi (2,13 m) au réfrigérateur.

**REMARQUE :** Si le robinet d'arrêt principal se trouve derrière le réfrigérateur, un deuxième robinet d'arrêt peut être installé en ligne directe avec la canalisation d'alimentation en eau, à l'avant du produit.



- |                             |                                 |
|-----------------------------|---------------------------------|
| A. Canalisation du domicile | E. Renflement                   |
| B. Écrou (à acheter)        | F. Écrou                        |
| C. Virole (à acheter)       | G. Tuyau d'eau du réfrigérateur |
| D. Raccord                  |                                 |

6. Ouvrir l'alimentation en eau et inspecter tous les raccords pour identifier toute fuite éventuelle.

## Brancher le réfrigérateur

### ⚠ AVERTISSEMENT



#### Risque de choc électrique

- Brancher sur une prise à 3 alvéoles reliée à la terre.
- Ne pas enlever la broche de liaison à la terre.
- Ne pas utiliser un adaptateur.
- Ne pas utiliser un câble de rallonge.
- Le non-respect de ces instructions peut causer un décès, un incendie ou un choc électrique.

1. Régler l'interrupteur de commande de la partie supérieure de la caisse à la position OFF (arrêt).
2. Brancher sur une prise à 3 alvéoles reliée à la terre.

## Déplacement du réfrigérateur à l'emplacement final

### ⚠ AVERTISSEMENT



#### Risque de basculement

Le réfrigérateur est lourd au sommet et bascule facilement lorsqu'il n'est pas complètement installé.

Garder les portes fermées avec un ruban adhésif jusqu'à l'installation complète du réfrigérateur.

Utiliser deux ou plus de personnes pour déplacer et installer le réfrigérateur.

Le non-respect de ces instructions peut causer un décès ou une blessure grave.

**IMPORTANT :** Pour éviter d'endommager le plancher, avant de déplacer le réfrigérateur, vérifier que les pieds sont soulevés (aucun contact avec le plancher) et que le réfrigérateur repose sur ses roulettes.

1. Placer sous le réfrigérateur le sommet de l'emballage de carton ou une feuille de contreplaqué. Enlever le chariot.
2. Ne pas enlever le film ou autre matériau de protection.
3. Pousser le réfrigérateur tout droit dans la cavité d'encastrement en le centrant, en laissant un espace égal de chaque côté. Veiller à ce que les garnitures latérales du réfrigérateur n'interfèrent pas avec l'ouverture de la porte. S'assurer également que la canalisation d'arrivée d'eau n'est pas déformée et que le cordon d'alimentation électrique se trouve sur le dessus du réfrigérateur.

## Réglage de l'aplomb et alignement du réfrigérateur

### ⚠ AVERTISSEMENT



#### Risque de basculement

Le réfrigérateur est lourd au sommet et bascule facilement lorsqu'il n'est pas complètement installé.

Garder les portes fermées avec un ruban adhésif jusqu'à l'installation complète du réfrigérateur.

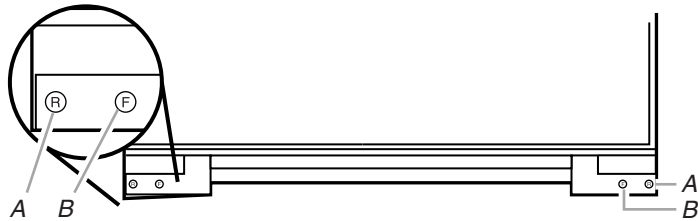
Utiliser deux ou plus de personnes pour déplacer et installer le réfrigérateur.

Le non-respect de ces instructions peut causer un décès ou une blessure grave.

**IMPORTANT :** Les quatre pieds de réglage de l'aplomb doivent toucher le plancher pour supporter et stabiliser le poids total du réfrigérateur. Les roulettes ne sont utilisées que pour le déplacement du réfrigérateur, et non pas pour un soutien permanent.

Après avoir déplacé le réfrigérateur jusqu'à sa position de service finale :

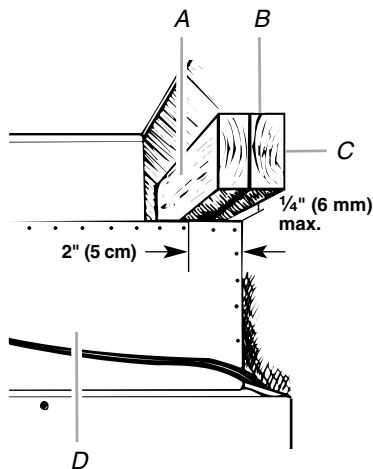
1. Utiliser une clé à douille de  $\frac{5}{16}$ " pour faire tourner les boulons de réglage de l'aplomb dans le sens horaire et déployer les pieds vers le plancher (voir illustration). Les roulettes ne doivent plus être en contact avec le plancher.



A. Boulon de réglage de l'aplomb (arrière)  
B. Boulon de réglage de l'aplomb (avant)

2. Ajuster les pieds de réglage de l'aplomb et établir l'aplomb du réfrigérateur de gauche à droite et avant/arrière de façon à ce qu'il soit d'aplomb et aligné avec le placard. La surface du placard doit être verticale pour une insertion parfaite de la garniture latérale du réfrigérateur.
3. Ajuster tous les pieds de réglage de l'aplomb pour soulever le réfrigérateur jusqu'à ce que la partie supérieure se situe à au moins 1" (2,54 cm) du soffite supérieur.

**REMARQUE :** Si une planche antibasculement a été utilisée, ajuster les pieds de réglage de l'aplomb jusqu'à ce que la partie supérieure du réfrigérateur se situe à  $\frac{1}{4}$ " (6,35 mm) du bas de la planche antibasculement (voir illustration). Ne pas écraser le couvercle du compresseur.



A. Centrer la planche (maximum de  $\frac{1}{4}$ " [6,35 mm]) au-dessus du réfrigérateur  
B. Deux planches de 2" x 4" x 32" (5 cm x 10 cm x 81 cm)  
C. Fixer aux poteaux avec six vis n°8 x 3" (7,6 cm)  
D. Couvercle du compresseur

**IMPORTANT :** Ajuster par à-coups pour éviter d'endommager la garniture du placard et causer des problèmes d'alignement de la porte ou d'insertion de la grille supérieure. Pour éviter d'endommager le placard ou les pieds de réglage de l'aplomb, ne pas appliquer sur les boulons un couple supérieur à 50 lb/po (5,65 Nm). Les pieds de réglage de l'aplomb peuvent être déployés à un maximum de  $\frac{1}{4}$ " (3,18 cm) au dessous des roulettes.

4. Pour les séries Classic et Overlay, des ajustements supplémentaires peuvent être nécessaires après l'installation des panneaux personnalisés.

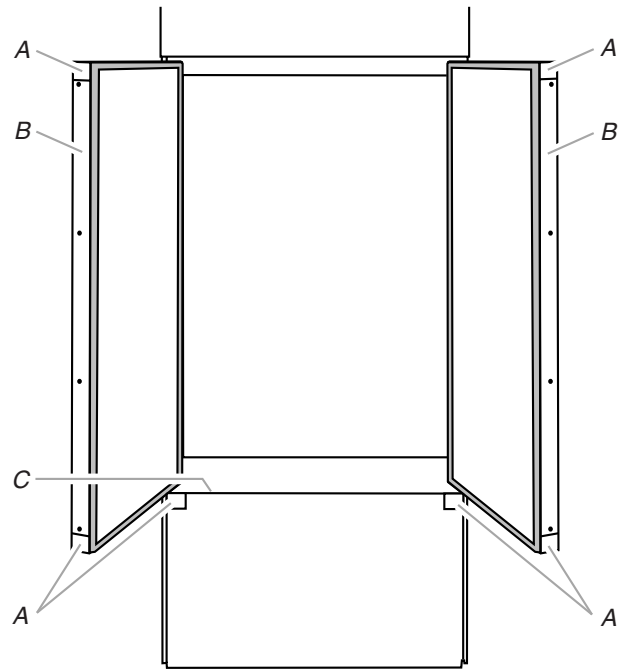
## Installation des panneaux personnalisés des séries Overlay et Classic

### IMPORTANT :

- Installer les poignées personnalisées avant d'installer les panneaux sur le réfrigérateur. Pour plus de renseignements sur la sélection de poignées personnalisées KitchenAid, consulter le Catalogue KitchenAid, visiter le site [www.kitchenaid.com](http://www.kitchenaid.com) ou téléphoner au 1-800-422-1230. Au Canada, visiter [www.KitchenAid.ca](http://www.KitchenAid.ca) ou téléphoner au 1-800-807-6777.
- Créer des panneaux décoratifs personnalisés conformément aux spécifications dans la section "Panneaux personnalisés de la série Overlay".
- KitchenAid n'est pas responsable des opérations d'enlèvement et de réinstallation des moulures ou panneaux décoratifs qui entraveraient l'accès au réfrigérateur lors d'une intervention de réparation.

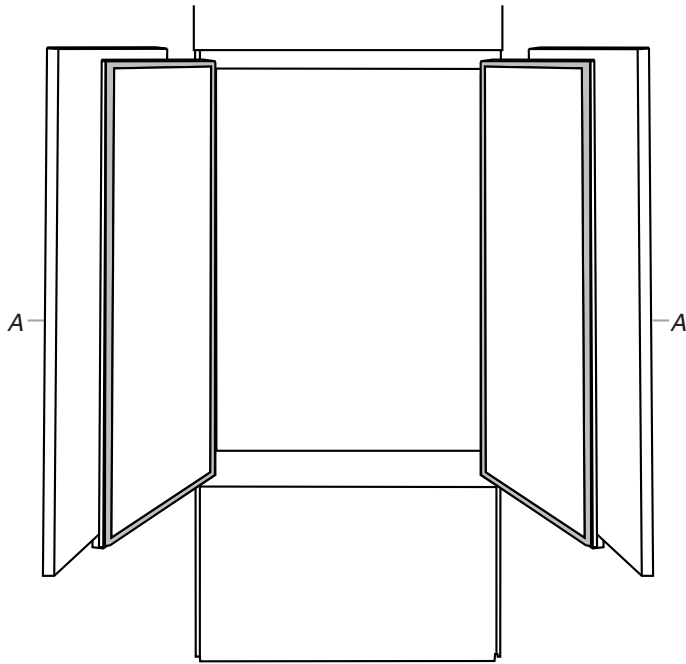
### Installation des panneaux de porte

1. Enlever tous les rubans adhésifs et articles d'arrimage de la (les) porte(s) du réfrigérateur et du tiroir du congélateur.
2. Ouvrir la (les) porte(s) du réfrigérateur et le tiroir du congélateur et retirer les garnitures et embouts de coin sur chaque porte – voir l'illustration.



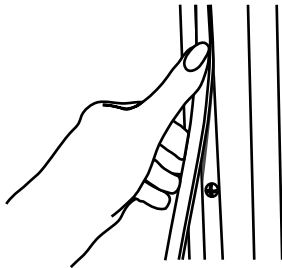
A. Embouts de coin  
B. Garnitures de la porte du compartiment de réfrigération  
C. Garniture du tiroir du congélateur

3. Glisser les panneaux personnalisés dans les garnitures dans la (les) porte(s) du compartiment de réfrigération et du tiroir de congélation, en s'assurant que le panneau de remplissage entre dans les garnitures du côté des charnières.



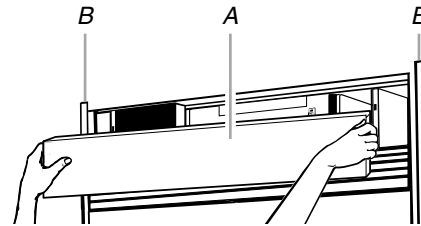
A. Panneaux

4. Réinstaller les garnitures et embouts de coin.
5. Enlever la pellicule protectrice des capuchons de vis. Emboîter les capuchons de vis dans la section de garniture de la poignée.



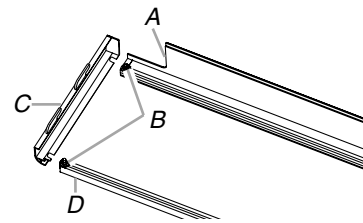
## Panneau de la grille supérieure

1. Saisir les deux extrémités de la grille supérieure.
2. Pousser la grille tout droit vers le haut, puis tout droit vers l'extérieur. Poser la grille supérieure côté panneau vers le bas sur une surface de travail molle.



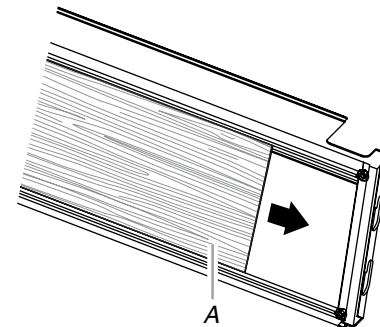
A. Grille supérieure  
B. Garnitures latérales de la caisse

3. Enlever un embout en desserrant les écrous et en faisant glisser et sortir l'embout.



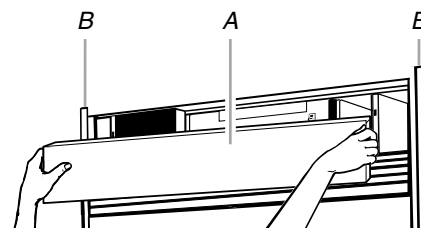
A. Tringle inférieure C. Embout  
B. Écrous D. Tringle supérieure

4. Faire glisser le panneau personnalisé dans la tringle de la grille supérieure et réinstaller l'embout.



A. Panneau personnalisé

5. Réinstaller la grille supérieure dans les garnitures latérales et tirer légèrement le panneau vers le bas pour le verrouiller en place.

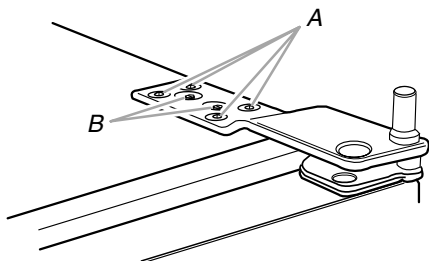


A. Grille supérieure  
B. Garnitures latérales de la caisse

## Ajustement de la (des) porte(s)

### Alignement des portes (modèles de 36" [91,4 cm])

1. Desserrer, sans les retirer, les quatre vis de montage à tête plate Torx®† 27 et les deux vis de montage à tête hexagonale de ¼" sur la charnière supérieure.
2. Ajuster la charnière supérieure de la porte pour l'aligner.
3. Serrer les vis de montage à tête plate Torx®† 27 d'un couple d'environ 100 lb/po (11,3 Nm).
4. Serrer les vis à tête hexagonale de ¼".



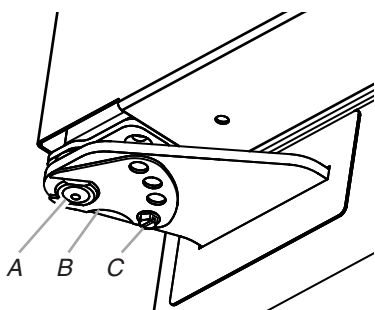
A. Vis de montage à tête plate Torx®† 27  
B. Vis de montage à tête hexagonale de ¼"

### Réglage de la hauteur de la porte (modèles de 42" [106,7 cm])

Procéder comme suit pour le réglage de la hauteur de la porte (modification vers le haut ou vers le bas), après l'établissement de l'aplomb du réfrigérateur.

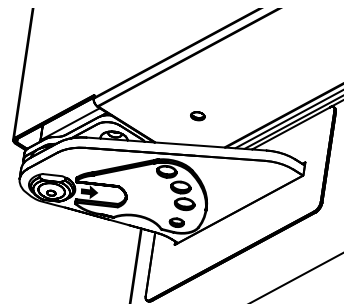
**REMARQUE :** Ajuster d'abord la position de la porte de droite par rapport à la position de la porte de gauche. S'il est nécessaire d'ajuster la porte de gauche, on doit veiller à ce que le rail central sur charnière sur la porte de gauche ne donne pas lieu à un frottement lors de la fermeture de la porte.

1. Ouvrir le tiroir du congélateur. Ôter la vis de la plaque de verrouillage sur la face inférieure de la charnière de la porte du réfrigérateur - utiliser une clé plate de ¼".



A. Bague  
B. Plaque de verrouillage  
C. Vis pour plaque de verrouillage

2. Enlever la plaque de verrouillage tel qu'illustré.

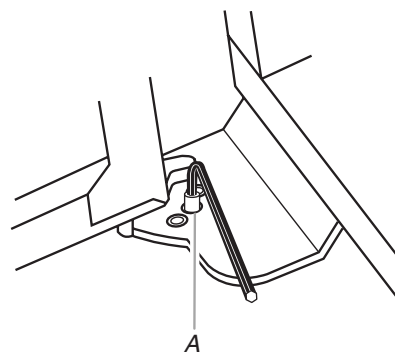


3. Faire tourner les bagues situées sous la charnière - utiliser une clé plate de ½". La rotation de la bague vers la gauche provoque un abaissement de la porte. La rotation de la bague vers la droite provoque un soulèvement de la porte.
4. Après le réglage, contrôler le bon ajustement des portes : niveau identique en haut et en bas. S'il y a un écart de niveau entre les portes, poursuivre le processus de réglage par rotation des bagues.
5. Réinstaller la plaque de verrouillage.
  - Tourner légèrement la bague pour aligner les trous de vis de la charnière et de la plaque de verrouillage.
  - Réinstaller et serrer la vis de la plaque de verrouillage.
6. Effectuer un contrôle final pour vérifier le bon alignement des portes.

### Réglage de l'angle d'ouverture de la porte

#### Modèles de 36" (91,4 cm)

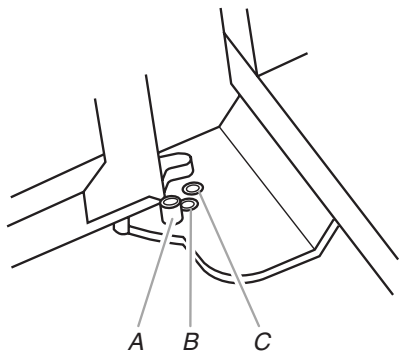
1. Vérifier que la porte du réfrigérateur peut s'ouvrir librement. Si l'angle d'ouverture de la porte est trop grand, enlever la vis de butée de porte de la charnière inférieure avec un tournevis Torx®† T15.



A. Vis de butée de porte

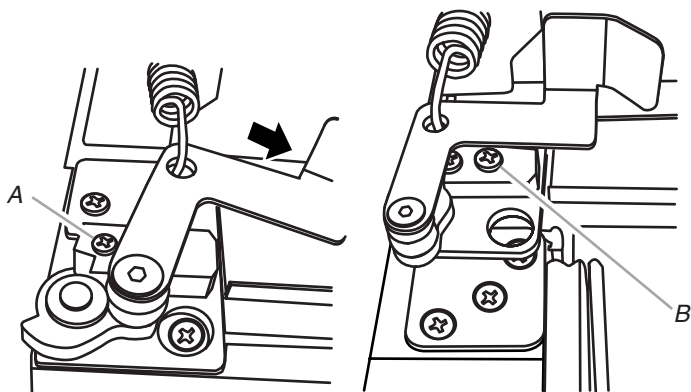
2. Tenir la porte ouverte à moins de 90°.
3. Réinstaller la vis de butée de porte dans la charnière inférieure et serrer la vis.

**IMPORTANT :** Sur les modèles de série Overlay, ne pas placer la vis de butée de porte à 130°. Voir "Poignée et porte - Espacements à respecter".



- A. 130°
- B. 110° (séries Overlay)
- C. 90°

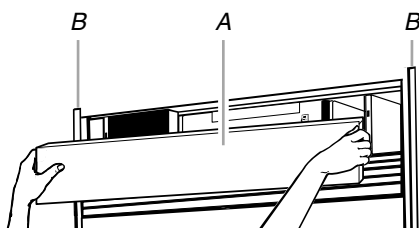
- Pour ôter la vis intérieure ("B") : Ouvrir la porte à 90°; la bride en L exposera la vis.



- A. Vis de butée de porte "A"
- B. Vis de butée de porte "B"

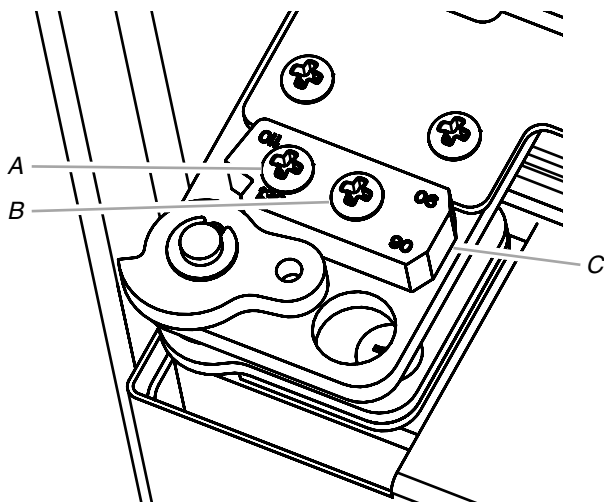
### Modèles de 42" (106,7 cm)

1. Vérifier que la porte du réfrigérateur peut s'ouvrir librement. Si l'angle d'ouverture de la porte est trop grand, on doit régler la position de la butée de porte.
2. Saisir les deux extrémités de la grille supérieure.
3. Pousser la grille supérieure vers le haut, puis tirer en ligne droite pour l'extraire. Placer la grille sur une surface molle.



- A. Grille supérieure
- B. Garniture latérale de la caisse

4. La butée de porte est située sur la charnière supérieure.



- A. Vis de butée de porte "A"
- B. Vis de butée de porte "B"
- C. Butée de porte

5. Ôter les 2 vis de butée de porte.
  - Pour ôter la vis extérieure ("A") : Avec la porte fermée, appuyer fermement la bride en L contre la partie centrale du réfrigérateur jusqu'à ce que la vis soit exposée.

6. Inverser ou faire pivoter la butée de porte à la position désirée - voir l'illustration ci-dessous.

**REMARQUE :** Pour un modèle de série Overlay, façonner (à la toupie) un arrondi sur les panneaux de porte personnalisés sur au moins la moitié de l'épaisseur du panneau si on souhaite ouvrir la porte à un angle de 130°.

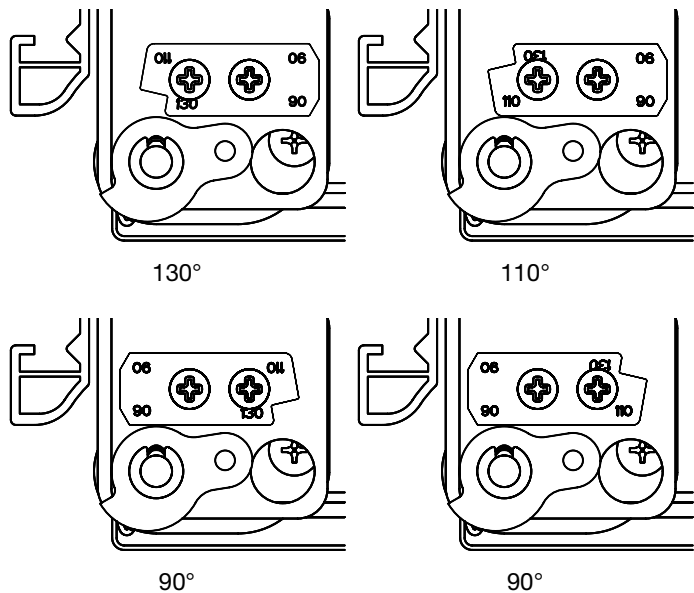


Illustration pour côté gauche; illustration pour côté droit (inversion)

7. Réinstaller les vis de la butée de porte; serrer les vis.
8. Vérifier que la porte du réfrigérateur peut s'ouvrir librement.

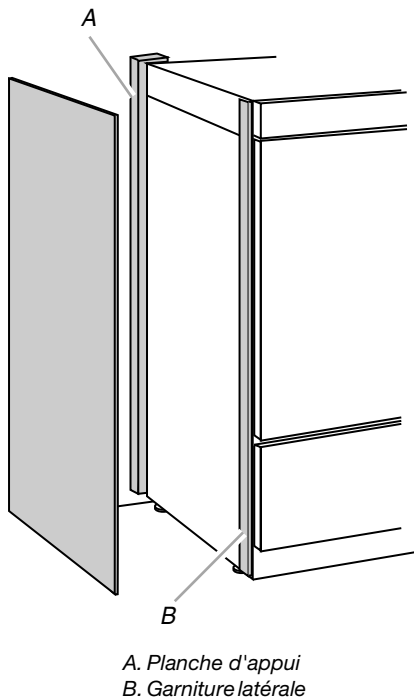
### Installation du panneau latéral

Si la profondeur de la cavité d'encastrement est de 25" (63,5 cm) ou plus, on peut insérer chaque panneau latéral dans la garniture latérale ou le fixer à l'extérieur de la garniture latérale.

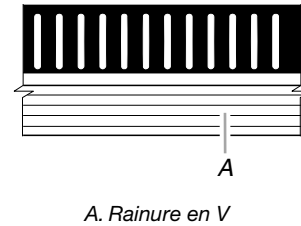
**IMPORTANT :** KitchenAid n'est pas responsable des opérations d'enlèvement et de réinstallation des moulures ou panneaux décoratifs qui entraveraient l'accès au réfrigérateur lors d'une intervention de réparation.

1. Pour la pièce de garniture latérale, insérer la rive avant du panneau latéral usiné dans le profilé de garniture.

2. Clouer la rive arrière du panneau sur la planche d'appui.

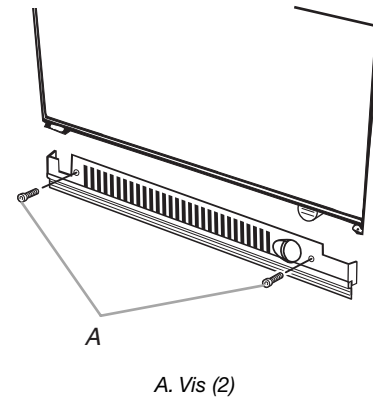


4. Entailler la plinthe en marquant la rainure en V appropriée avec un couteau utilitaire. Briser la plinthe sur la ligne d'entaille.



5. À l'aide des deux vis, fixer la grille de la base au réfrigérateur, tel qu'illustré.

**REMARQUE :** Insérer d'abord la vis du côté droit.



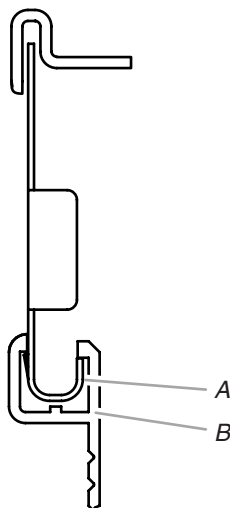
## Installation de la grille de la base

La grille de la base comporte deux pièces pour permettre un ajustement personnalisé : la grille de la base elle-même et la plinthe. La plinthe peut être ajoutée à la grille de la base pour la prolonger jusqu'au plancher.

1. Pour voir si la plinthe est nécessaire, placer la grille de la base en position. Ne pas fixer la grille de la base au réfrigérateur. Mesurer la distance entre le fond de la grille de la base et le plancher. L'espace doit mesurer au moins 1/2" (1,27 cm) pour ajouter la plinthe.

**REMARQUE :** Si l'espace mesure moins de 1/2" (1,27 cm), omettre les étapes 3 et 4 des instructions et installer uniquement la grille de la base.

2. Enlever le film de protection de la grille de la base.
3. Emboîter la plinthe sur la grille de la base.



## Achever l'installation

1. Tourner le robinet de la canalisation d'eau à la position "Open" (ouvert).
2. Tourner le commutateur du réfrigérateur à la position ON (marche). Voir "Interrupteur d'alimentation On/Off" dans le Guide d'utilisation et d'entretien pour plus d'informations. Attendre quelques minutes. Vérifier les raccords de la canalisation d'eau pour voir s'il y a des fuites.
3. Retirer toutes les boîtes, tous les paquets de pièces et tous les matériaux d'emballage de l'intérieur du réfrigérateur. Voir la section "Nettoyage" dans le Guide d'utilisation et d'entretien pour les instructions. Ôter la pellicule protectrice et le carton de la grille et des portes ou du châssis de la porte, selon le modèle.
4. Installer les tablettes et bacs dans les compartiments de réfrigération et de congélation.
5. Les commandes sont pré-réglées à l'usine au réglage moyen. S'assurer que le compresseur fonctionne bien et que toutes les lampes s'allument.
6. Si la construction doit continuer après l'installation du réfrigérateur, régler les commandes à OFF (Arrêt).

Pour l'utilisation la plus efficace de votre nouveau réfrigérateur encastré, lire le Guide d'utilisation et d'entretien. Conserver les instructions d'installation et le Guide près du réfrigérateur encastré pour s'y référer facilement.

**W10379132A**

© 2011. All rights reserved.  
Todos los derechos reservados.  
Tous droits réservés.

® Registered Trademark/TM Trademark of KitchenAid, U.S.A., KitchenAid Canada licensee in Canada  
© Marca registrada/TM Marca de comercio de KitchenAid, U.S.A., usada en Canadá bajo licencia de KitchenAid Canada  
© Marque déposée/TM Marque de commerce de KitchenAid, U.S.A., Emploi sous licence par KitchenAid Canada au Canada

3/11  
Printed in U.S.A.  
Impreso en EE.UU.  
Imprimé aux É.-U.